

DENON DJ

SC6000

PRIME

User Guide	English (3 – 18)
Guía del usuario	Español (19 – 34)
Guide d'utilisation	Français (35 – 51)
Guida per l'uso	Italiano (52 – 67)
Benutzerhandbuch	Deutsch (68 – 84)
Appendix	English (85 – 86)

User Guide (English)

Introduction

Thank you for purchasing the SC6000 PRIME. At Denon DJ, we know how serious music is to you. That's why we design our equipment with only one thing in mind—to make your performance the best it can be. We're honored and excited to play a part in your musical & creative DJ journey!

Features:

- 10.1" HD multi-touch display with gesture support
- 24-bit / 96kHz uncompromised digital audio output
- Built-in Wi-Fi and wired internet connectivity for music streaming
- Dual-layer playback with independent analog & digital outputs
- 8.5" jog wheel with tension adjust & HD color display
- Plays uncompressed audio formats (FLAC, ALAC, WAV, AIFF)
- On-board analysis of music files & collection management
- Best-in-class time stretch and musical key change/sync algorithms
- Media inputs include: (3) USB, SD, and internal SATA drive bay
- Responsive rubber buttons and multi-function performance pads
- LAN output to link players and control pro DJ lighting and video
- Locking IEC connector for secured power cable

Box Contents

SC6000 PRIME	Power Cable
(2) RCA Audio Cables (stereo pairs)	Cleaning Cloth
USB Cable	Software Download Card
USB Extension Cable	User Guide
Networking Cable	Safety & Warranty Manual

Support

For the latest information about this product (documentation, technical specifications, system requirements, compatibility information, etc.) and product registration, visit denondj.com.

For additional product support, visit denondj.com/support.

Product Registration

Your product may include exclusive software and/or promotions which can only be accessed by registering your new product on the Denon DJ website.

To check eligibility and access the available content, please register your product by following the instructions below:

1. Visit denondj.com and click **Account**.
2. Click **Sign In** to access your existing account, or create a new account.
3. Once signed in, click **Register New Product**.
4. Enter the product serial number into the box and click **Check Serial**.
5. Complete the form and click **Register Your Product**.
6. Upon successful registration, any applicable software downloads, exclusive content, and promotional offers will be shown in your account.

Setup

Important: Occasionally, we may update SC6000 PRIME's firmware to add exciting new features and improvements. Visit denondj.com/downloads to check for available firmware updates, especially after you update your software (firmware updates may address new software features).

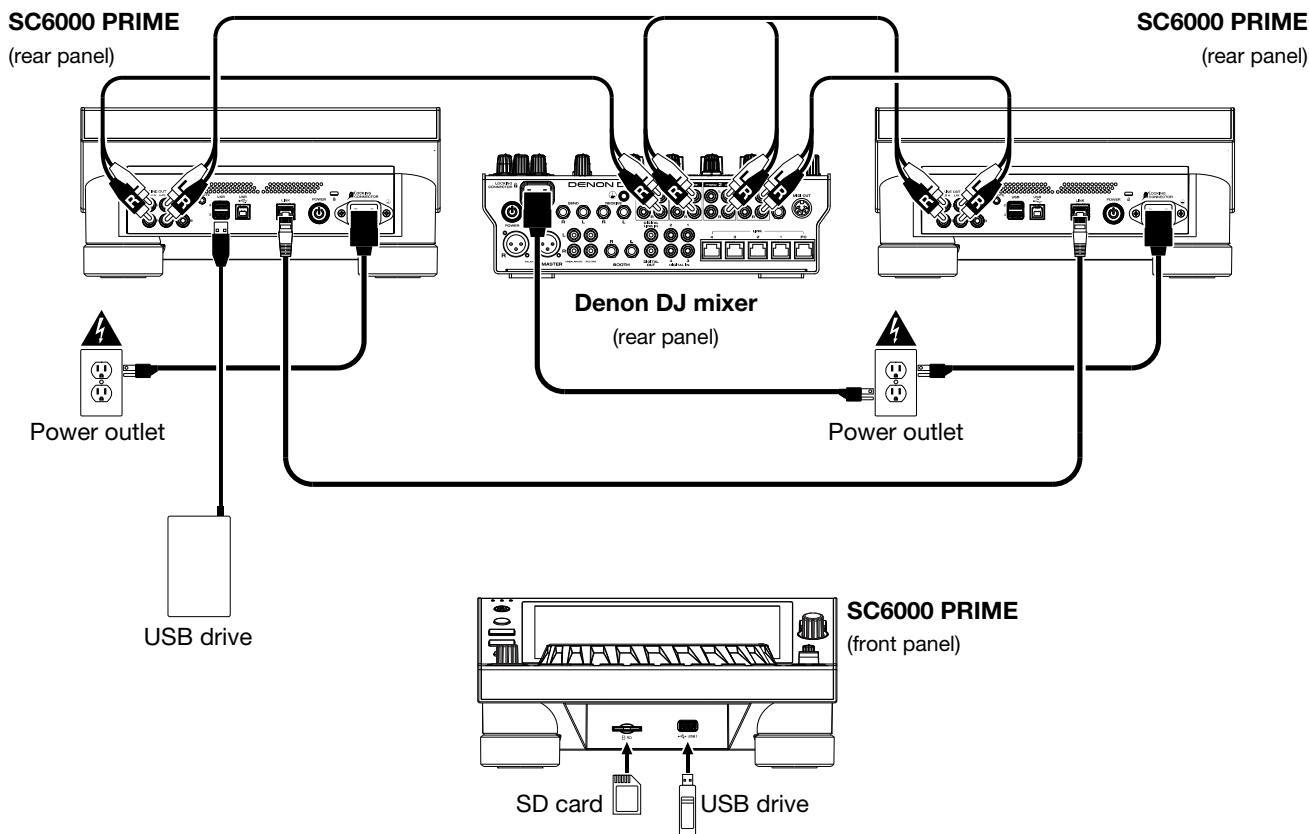
1. Visit denondj.com/downloads and find the **DJ Software** section to download the Engine PRIME software.
2. Double-click the **.exe** (Windows®) or **.dmg** (macOS®) installer file you downloaded, and then follow the on-screen instructions to install Engine PRIME.
3. Make sure all of your devices are powered **off** or all of their volume levels are at their **minimum** positions.
4. Connect SC6000 PRIME's audio outputs (**Layer A/B** or **Digital Outputs A/B**) to the inputs of your mixer.
5. Connect SC6000 PRIME's **Link** ports according to one of the following connection diagram examples.
6. Connect any output devices (headphones, power amplifiers, loudspeakers, etc.) to the outputs of your mixer.
7. Connect all of your devices to power sources.
 - When starting a session, power on **(1)** SC6000 PRIME and other input sources, **(2)** your mixer, and then **(3)** output devices.
 - When ending a session, power off **(1)** output devices, **(2)** your mixer, and then **(3)** SC6000 PRIME and other input sources.
8. **To use Engine OS** (standalone playback): Insert a USB flash drive or SD card (with an Engine-configured music library) to one of SC6000 PRIME's **USB ports** or **SD Card Slot**.

Connection Diagrams

Items shown but not listed under [Introduction > Box Contents](#) are sold separately.

Example 1

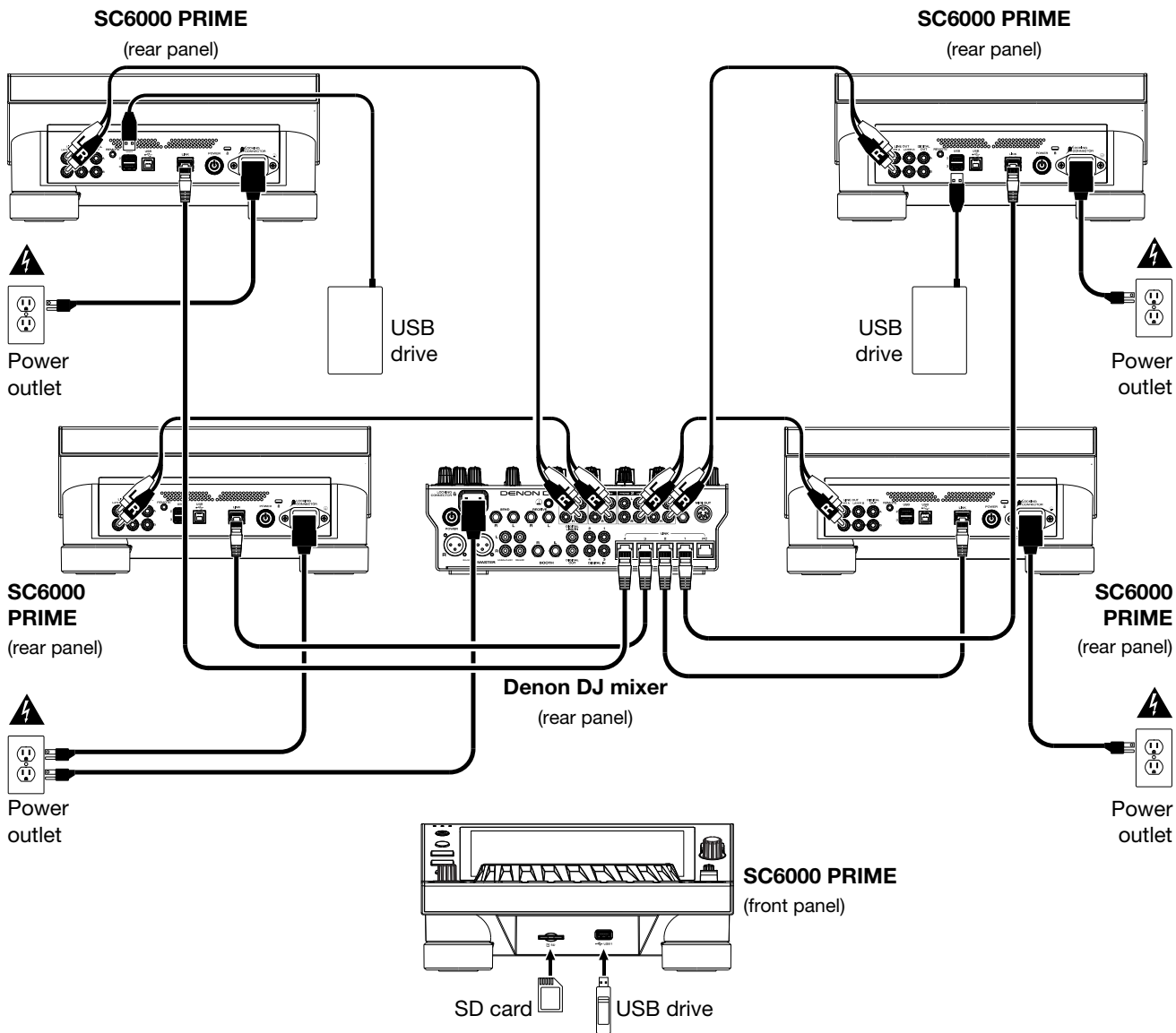
This example shows 2 SC6000 PRIME units with their **Link** ports connected to each other directly.



Example 2

This example shows 4 SC6000 PRIME units with their **Link** ports connected to **Link Ports 1-4** of a Denon DJ mixer. All 4 units are networked through the mixer.

Note: If you are using a different mixer with this setup, connect the **Link** ports of all 4 SC6000 PRIME units to an Ethernet hub instead of to the mixer.



RF Warning: This is a mobile device. Maintain a distance of at least 8 inches / 20 centimeters of separation between the transmitter's radiating structure(s) and your body or other people nearby.

Devices & File Analysis

SC6000 PRIME can play music files from USB drives, SD cards, or other connected SC6000 PRIME units. Make sure you are using only the supported file systems (for USB drives or SD cards) and file formats (for music files) listed below.

Supported file systems: exFAT, FAT32

Supported file formats: AAC/M4A	MP3 (32–320 kbps)
AIF/AIFF (44.1–192 kHz, 16–32-bit)	MP4
ALAC	Ogg Vorbis
FLAC	WAV (44.1–192 kHz, 16–32-bit)

Although SC6000 PRIME can play tracks that have not been analyzed yet, pre-analyzing them allows its features to work most effectively. You can analyze tracks in one of two ways:

- **On SC6000 PRIME, load the track:** When you load a track to play, SC6000 PRIME will automatically analyze it (if it has not already been analyzed). This may take a moment to complete, depending on the length of the track. You can start playing the track from the beginning **immediately**, though you will need to wait a moment for the analysis to finish.
- **Use Engine PRIME software:** The included Engine PRIME software can pre-analyze your music library to use with SC6000 PRIME. You can also use it to organize your library, manage your SC6000 PRIME hardware preferences, etc. (see [Operation](#) to learn more about this).

Visit denondj.com/downloads and find the **DJ Software** section to download the Engine PRIME software.

To eject a USB drive or SD card:

1. Make sure none of its tracks are being played on any connected SC6000 PRIME units.
2. Press **Media Eject**. A list of connected devices will appear in the touchscreen.
3. Tap the **Eject** icon on the touchscreen next to the name of your device. If a track on the device is currently playing, you will be asked if you want to continue ejecting, which will stop the track. Tap **Cancel** to cancel ejecting the device, or tap **OK** to eject it.

To eject additional devices, repeat Step 3.

To return to the previous screen, press **Media Eject** again, or tap the **X** in the upper-right corner.

Networking

You can network up to four SC6000 PRIME units together, enabling them to share track databases, timing and BPM information, and other data seamlessly over this connection.

This feature provides many advantages while performing. For instance, if you are using four SC6000 PRIME units, you can use one of them to browse through **all** tracks on **all** devices (USB drives or SD cards) connected to **any** of those SC6000 units. You can then play any of those tracks immediately without having to move a device from one unit to the other.

To network SC6000 PRIME units together, use the included networking cables to do one of the following:

- If you are using only two SC6000 PRIME units, connect their two **Link** ports.
- If you are using two or more SC6000 PRIME units, connect each of their **Link** ports to a **Link** port (1–4) on your Denon DJ mixer.
- If you are using two or more SC6000 PRIME units, connect each of their **Link** ports to an Ethernet port on a router.

The **Link** light will turn on when the SC6000 PRIME unit is properly connected to a network.

Configuration

The SC6000 PRIME has several settings that help you customize playback and how information is displayed.

To open a quick menu of settings most often used, press **Shortcuts**.

To open the full list of preferences, press and hold **View/Preferences/Utility**.

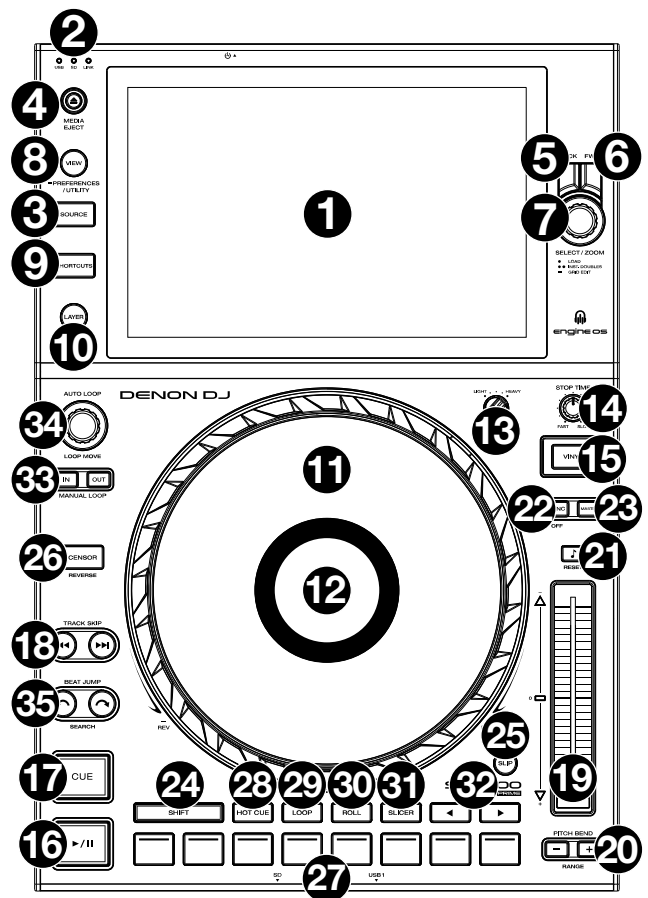
See [Operation > Configuration](#) to learn about these settings.

Features

Top Panel

Media Selection & Browsing

- Touchscreen:** This full-color, multi-touch display shows information relevant to SC6000 PRIME's current operation. Touch the display (and use the hardware controls) to control the interface. See [Operation > Touchscreen Overview](#) for more information.
- Media Selection:** These lights will illuminate to indicate if the corresponding type of media is connected: **USB**, **SD**, or **Link**.
- Source:** Press this button to show a list of devices connected to SC6000 PRIME in the touchscreen (other networked SC6000 PRIME units, USB drives, SD card, Wi-Fi, etc.). Tap a device in the list to select it.
- Media Eject:** Press this button to show a list of devices connected to that SC6000 PRIME unit in the **touchscreen** (i.e., USB drives connected to its USB ports or an SD card inserted into its SD card slot).
To eject a device, make sure none of its tracks are being played, and then tap the **Eject** icon on the **touchscreen** and follow the prompts.
- Back:** While in Browse View, press this button to move to the previous window. While in Performance View, press this button to enter Browse View.
- Forward:** While in Browse View, press this button to move to the next window. While in Performance View, press this button to enter Browse View.
- Select/Zoom:** While in Browse View, turn this knob to scroll through a list, and press the knob to select an item or load a track to the layer in focus. Double-press the knob to load a track to both layers ("instant doubles").



While in Performance View, turn this knob to zoom in and out of a track's waveform. Press and hold the knob to adjust the beat grid (see [Operation > Performance View](#) for more details on adjusting the beat grid).

- View / Preferences/Utility:** Press this button to switch between the library view and track view. Press and hold this button to enter the Preferences and Utility window.
Press and hold **Shift** and press this button to toggle between viewing single layer or dual layer waveforms on the **touchscreen**. You can also press and hold **Shift** and then press and hold this button to swap deck positions.
- Shortcuts:** Press this button for quick access to a short menu of playback and display options.

Playback & Transport Controls

- Layer:** Press this button to switch the layer focus of the SC6000 PRIME.
- Platter:** This capacitive, touch-sensitive platter controls the audio playhead when the wheel is touched and moved. When the **Vinyl** button is on, move the **platter** to "scratch" the track as you would with a vinyl record. When the **Vinyl** button is off (or if you are touching only the side of the **platter**), move the **platter** to temporarily adjust the track's speed.
- Platter Display:** This display shows information relevant to the performance, including the current playhead position and auto loop size, as well as album artwork. See [Operation > Platter Display Overview](#) for more information.
- Wheel Adjust:** Turn this knob to set how resistant the platter is to adjustments. This knob applies a brake to the platter to prevent unintentional drifting due to environmental vibrations from bass frequencies, surface instability, etc.
- Stop Time:** Controls the rate at which the track slows to a complete stop ("brake time") when you pause it by pressing **Play/Pause** (▶/||).
- Vinyl:** Press this button to activate/deactivate a "vinyl mode" for the platter. When activated, you can use the **platter** to "scratch" the track as you would with a vinyl record.

16. **Play/Pause** (▶/||): This button pauses or resumes playback.
Press and hold **Shift** and then press this button to “stutter-play” the track from the initial cue point.
17. **Cue**: During playback, press this button to return the track to the initial cue point and stop playback. (To move the initial cue point, make sure the track is paused, move the **platter** to place the audio playhead at the desired location, and then press this button.) If the deck is paused, press and hold this button to temporarily play the track from the initial cue point. Release the button to return the track to the initial cue point and pause it. To continue playback without returning to the initial cue point, press and hold this button and then press and hold the **Play** button, and then release both buttons.
During playback, press and hold **Shift** and press this button to set the initial cue point at the current playhead position.
18. **Track Skip**: Press either of these buttons to skip to the previous or next track.
Press the **Previous Track** button in the middle of a paused track to return to the beginning of the track.

Sync & Pitch Controls

19. **Pitch Fader**: Move this fader to adjust the speed (pitch) of the track. You can adjust its total range by pressing and holding **Shift** and pressing one of the **Pitch Bend** buttons.
Important: If Sync is activated, moving the pitch fader on the “master” SC6000 PRIME unit will change the speed of all synced units, while moving the pitch fader on other units will do nothing.
20. **Pitch Bend** –/+ : Press and hold one of these buttons to momentarily reduce or increase (respectively) the speed of the track.
Press and hold **Shift** and then press one of these buttons to set the range of the pitch fader.
21. **Key Lock/Reset**: Press this button to activate or deactivate Key Lock. When Key Lock is activated, the track’s key will remain the same even if you adjust its speed.
Press and hold **Shift** and press this button to reset the track to its original key regardless of the position of the **pitch fader** or edits made via key change menu.
22. **Sync/Sync Off**: Press this button to activate Sync.
To sync two or more SC6000 PRIME units, press **Sync** on the unit that you want to control the BPM, which becomes the “master.” After Sync is activated on that unit, press **Sync** on any additional units. The tempo of each unit will immediately synchronize to match the tempo of the master unit.
To deactivate Sync, press the **Sync** button again, or press and hold **Shift** and press **Sync**, depending on the setting of **Sync Button Action** in the **Preferences**.
23. **Master**: Press this button to set this SC6000 PRIME unit as the one that controls the master tempo. All connected SC6000 PRIME units with Sync activated will use this tempo. If you stop the “master” SC6000 PRIME, the next-longest-playing SC6000 PRIME in the setup will automatically become the new “master” (unless you change it manually).

Performance Controls

24. **Shift**: Press and hold this button to access secondary functions of other controls.
25. **Slip**: Press this button to enable or disable Slip Mode. In Slip Mode, you can jump to cue points, use the platter, or pause the track while the track’s timeline continues (the lower half of the waveform in the display will continue moving forward). In other words, when you stop whatever action you are performing, the track will resume normal playback from where it would have been if you had never done anything (i.e., as if the track had been playing forward the whole time).
26. **Censor/Reverse**: Press this button to activate or deactivate the Censor feature: the playback of the track will be reversed, but when you release the button, normal playback will resume from where it would have been if you had never engaged the Censor feature (i.e., as if the track had been playing forward the whole time).
Press and hold **Shift** and then press this button to reverse the playback of the track normally. Press this button again to return playback to the normal forward direction.
27. **Performance Pads**: These pads have different functions depending on the current pad mode. See [Operation > Performing > Pad Modes](#) for more information.
28. **Hot Cue**: Press this button to enter Hot Cue Mode.
29. **Loop**: Press this button once to enter Manual Loop Mode, and press it again to enter Auto Loop Mode.
30. **Roll**: Press this button to enter Roll Mode.
31. **Slicer**: Press this button once to enter Slicer Mode, and press it again to enter Slicer Loop Mode.
32. **Parameter** ◀/▶ : Use these buttons for various functions in each Pad Mode. See [Operation > Performing > Pad Modes](#) for more information.
33. **Loop In/Loop Out**: Press either of these buttons to create a Loop In or Loop Out point at the current location. Their placement will be affected by the **Quantize** and **Smart Loops** settings. See [Operation > Configuration > Shortcuts](#) for more information.

34. **Auto Loop/Loop Move:** Turn this knob to set the size of an automatic loop. The value will be shown in the touchscreen and platter display.

Press this knob to activate or deactivate an automatic loop at the current location of the track.

Tip: You can assign auto loops to pads in Manual Loop Mode. See [Operation > Performing > Pad Modes](#) for more information.

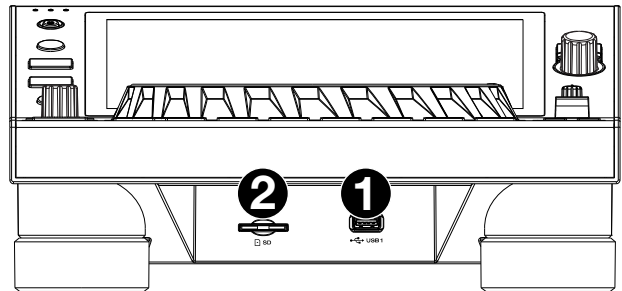
Press and hold **Shift** and turn this knob to shift the active loop to the left or right.

35. **Beat Jump:** Press either of these buttons to skip backward or forward through the track. Use the **Auto Loop** knob to determine the beat jump size.

Press and hold **Shift** and then press one of these buttons to search backward or forward through the track.

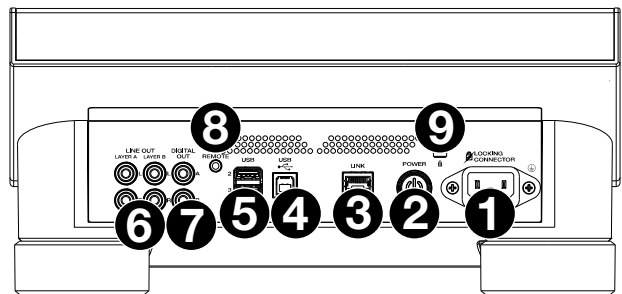
Front Panel

1. **Front USB Port:** Connect a standard USB drive to this USB port. When you select that USB drive as a source (press the **Source** button), you can use the display to select and load tracks from your USB drive. There are also two similar USB ports on the rear panel. You can use the included USB extension cable to accommodate larger or smaller USB thumb drives.
2. **SD Card Slot:** Insert a standard SD card to this slot. When you select that SD card as a source (press the **Source** button), you can use the display to select and load tracks from your SD card.



Rear Panel

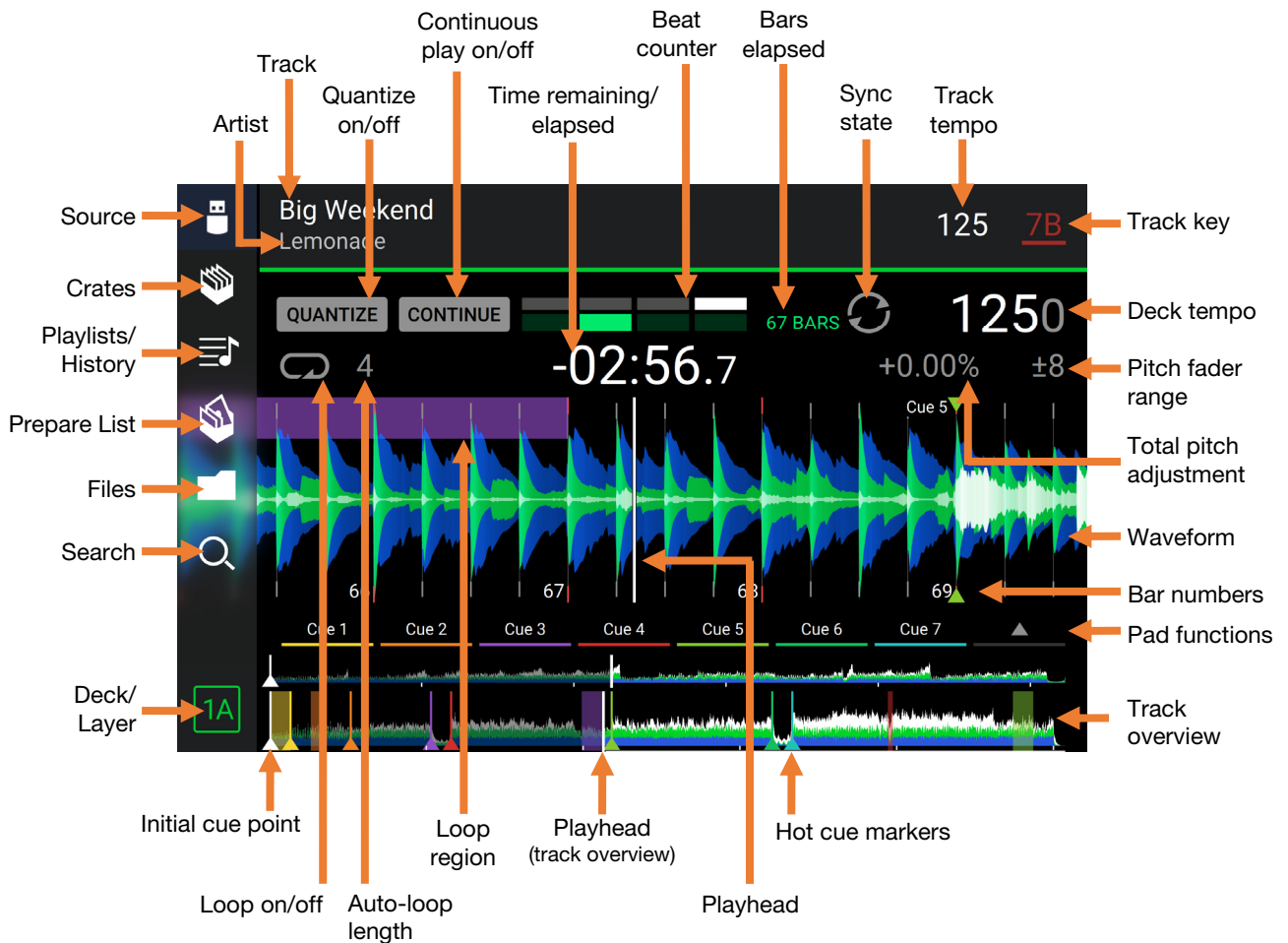
1. **Power Input:** Use the included locking power cable to connect this input to a power outlet. To remove the power cable, push down on the yellow tab and then pull the cable out of the input. You can also use a standard IEC power cable in place of the included locking power cable.
SC6000 PRIME has a protection circuit to safely eject all media after an unexpected power loss to protect your data from corruption. Reconnect your power source to return to normal operation.
2. **Power Button:** Press this button to power SC6000 PRIME on or off. Power on SC6000 PRIME only **after** you have connected all of your input devices and **before** you power on your amplifiers and loudspeakers. Power off your amplifiers and loudspeakers **before** powering off SC6000 PRIME.
Press and hold this button for 10 seconds to reset SC6000 PRIME.
3. **Link Port:** Use the included networking cable to connect this port to another SC6000 PRIME or to your Denon DJ mixer. Each networked SC6000 PRIME can share track databases, timing and BPM information, and other track data over this connection.
4. **USB B Port:** Use a standard USB cable (included) to connect this USB port to an available USB port on your computer. This connection sends and receives MIDI messages to and from the computer.
5. **Rear USB Ports 2/3:** Connect standard USB drives to these USB ports. When you select one of those USB drives as a source (press the **Source** button), you can use the display to select and load tracks from your USB drives. There is also a similar USB port on the front panel.
6. **Layer A/B Outputs:** Use standard RCA cables to connect these outputs to your DJ mixer. The **Layer A** Line Outputs send out the audio signal from Layer A. The **Layer B** Line Outputs send out the audio signal from Layer B.
7. **Digital Outputs A/B:** Use standard digital coaxial cables to connect these 24-bit/96 KHz outputs to devices and mixers such as the Denon DJ X1850 PRIME.
8. **Remote Input:** Use a standard remote start cable to connect this input to the remote-start output of your mixer (if available). While connected to a remote-start-compatible mixer, moving the crossfader toward the side that corresponds to this SC6000 PRIME (or raising the channel fader for its channel) will automatically start the track on the currently selected layer.
9. **Kensington® Lock Slot:** Use this slot to secure SC6000 PRIME to a table or other surface.



Operation

Touchscreen Overview

Performance View



Swipe left or right on the **track overview** to scan through the track while the track is paused.

Note: You can use this feature during playback if Needle Lock is **off**. If Needle Lock is **on**, make sure the platter is in Vinyl Mode (press **Vinyl** so it is lit) and touch the top of the **platter** while swiping the track overview. See [Configuration > Preferences](#) to learn about Needle Lock.

Spread or pinch your fingers on the **waveform** to zoom in or out of it, respectively. Alternatively, turn the **Select/Zoom** knob.

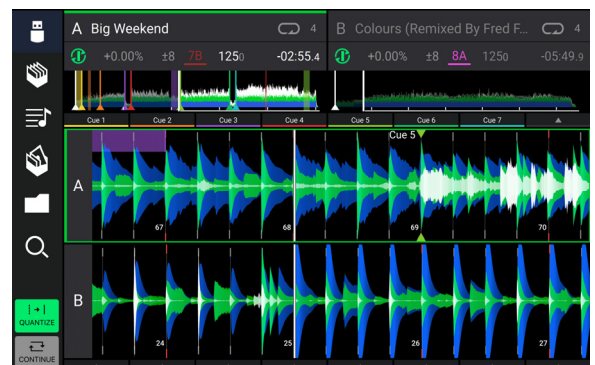
Tap an icon to select it (e.g., the icons for Crates, Playlists, Prepare List, Files, or Search on the left side).

Tap a button to activate or deactivate it (e.g., the Quantize, Continue, or Key Lock buttons).

Tap the time to switch between the elapsed time and remaining time.

Tap the key to show the Key Change Menu, where you can adjust the key of the track.

Press and hold Shift and press the View button to toggle between viewing single layer or dual layer waveforms in Performance View.



Dual Layer View

You can also show or hide the beat grid controls in Performance View. The beat grid is automatically detected and set when the track is analyzed.

To show the beat grid controls, press and hold the **Select/Zoom** knob for a second. Six buttons will appear at the bottom of the display, and the beat grid markers will appear on the waveform.

To reset the beat grid, tap **Reset**.

To shift the downbeats of the beat grid left or right (in one-beat increments), tap the **<** or **>** buttons, respectively, or turn the **Select/Zoom** knob.

To freely shift/“slide” the beat grid left or right, move the **platter**.

To halve or double the number of beat grid markers, tap **/2** or **X2**, respectively.

To hide the beat grid controls, press the **Select/Zoom** knob or tap **Done** on the touchscreen.

Browse View

Use the Browse View to view your music library and load a track to the deck. You can also search through crates and playlists, add tracks to the Prepare list, and search through your tracks using sorting and filtering features.

Important: Visit denondj.com/downloads and find the **DJ Software** section to download the Engine PRIME software.

Use the six icons on the left side to navigate while in Browse View:

- **Source:** Use this option to select the source device to view tracks from, including your connected media devices and available streaming and cloud services. Tap the Source icon to show the list of available sources, and then tap to select. To enable streaming and cloud services, use the **Utility** menu.
- **Crates:** Your crates are collections of tracks arranged however you want. You may have crates for different genres or styles, for albums from a specific decade, etc. You can use the included Engine PRIME software to create crates to use here.
- **Playlists/History:** Your playlists are lists of tracks arranged in a specific order. You may have playlists for different types of clubs or events, for specific genres, etc. You can use the included Engine PRIME software to create playlists to use here. This is also where you can view the playback history. If there are no playlists, only the history will be shown in this view.
- **Prepare:** You can load tracks to the Prepare list so that you can refer to them later when you want to play them during your performance (rather than searching through your entire library for the next track to play).
- **Files:** Use this option to browse the list of all files on a USB drive or SD card.
- **Search:** Use this option to search through your tracks by keyword. The search results are based on the album name, artist name, track name, key, and tempo.

Tap the list icon at the top of the display to toggle between standard and expanded list views.

Swipe a list up or down to browse through it (e.g., your list of crates, your list of playlists, or your list of tracks). Alternatively, press the **Back** or **Forward** buttons to select a list, and then turn the **Select/Zoom** knob. Press and hold **Shift** and turn the **Select/Zoom** knob to scroll quickly through the list. You can also tap and drag the scroll bar on the right edge of the list.

Tap an icon or item in a list to select it. Alternatively, press the **Select/Zoom** knob.

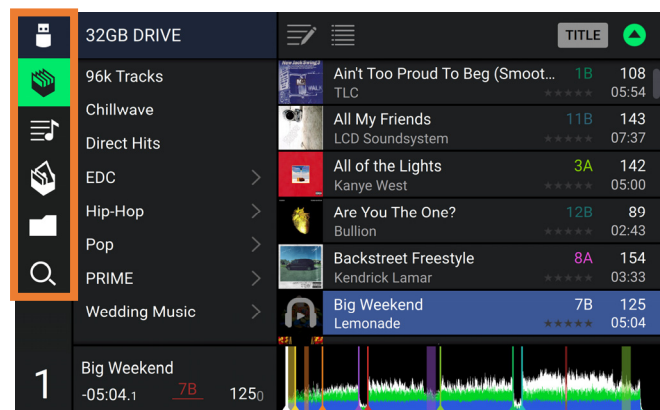
Swipe a track to the right to load it to the deck. Alternatively, press the **Select/Zoom** knob or double-tap the track.

Swipe a track to the left to add it to the Prepare list. Alternatively, press and hold **Shift** and press the **Select/Zoom** knob. Swipe a track to the left in the Prepare list to remove it.

Tap and hold your finger on a track to show its information window. Tap the information window to close it.

Tap the track art to preview the track. Tap again to stop the preview. While previewing, tap along the track entry to scan through the track.

Tap the Search field and use the keyboard that appears in the display to search through your tracks by keyword. The search results are based on the album name, artist name, track name, key, and tempo.



Platter Display Overview

Normally, the platter display shows the following information:

- the current position of the playhead.
- the album artwork of the current track.

The platter display temporarily shows the following information:

- the current size of an auto loop after you turn the **Auto Loop** knob.
- the current layer after you press the **Layer** button.
- the position of the secondary playhead when **Slip** is active.



Performing

Loading & Removing Tracks

While viewing any track list:

To load a track to the layer currently in focus on the deck, swipe the track to the right. Alternatively, press the **Select/Zoom** knob, or double-tap the track.

To perform instant doubles (load the same track to both layers on the deck), double-press the **Select/Zoom** knob while the track is highlighted.

To add a track to the Prepare list, swipe the track to the left. Alternatively, press and hold **Shift** and press the **Select/Zoom** knob.

To show a track's information, tap and hold your finger on it.

While viewing the Prepare list:

To remove a track from the Prepare list, swipe the track to the left.

To remove all tracks from the Prepare list, tap the **Clear List** icon in the upper-right corner of the touchscreen.

Searching & Filtering Tracks

To search, tap the **Search** field and use the keyboard that appears in the display. The search results are based on the following criteria: album name, artist name, track name, key, and tempo.

To hide the keyboard, tap the **keyboard icon** in the lower-right corner of the virtual keyboard. Alternatively, tap anywhere on the screen other than the keyboard or the Search field.

To filter your tracks, tap **Genre**, **Album**, **Artist**, **Key**, or **BPM**, and then tap one of the available options. Only tracks tagged with that genre, album, artist, key, or BPM will be shown. (By default, the key is notated using the Camelot system.)

Track Name	Artist	Key	Tempo	Duration
Electric Feel	MGMT	4B	103	03:50
Express Yourself	Charles Wright & The Watts 1...	5B	93	03:57
Feel Good Inc.	Gorillaz	2A	139	03:41
Fight for Your Right	Beastie Boys	5B	134	03:27
Get Lucky (feat. Pharrell Willia...	Daft Punk	11B	116	06:10
Girls	Beastie Boys	7B	140	02:14

Note: You can also use the Preferences to set whether you want to show tracks with the same key only or tracks with compatible keys as well as the “tolerance” of BPM filter (to include tracks with tempos within 1–15 BPM of the selection). See [Configuration > Preferences](#) to learn more.

To sort the list of results, tap the **Sort By** icon in the upper-right corner, and then tap one of the available options. Tap the **arrow** icon next to this to toggle between ascending and descending order.

Playback & Cueing

To play or pause a track, press **Play/Pause** (▶/||).

To scratch a track, press **Vinyl** so it is lit brightly and then move the **platter**.

To set the initial cue point, press **Shift+Cue** at the desired location during playback.

To return to the initial cue point and stop, press **Cue**. The button will flash while the unit is paused at the cue point.

To return to the initial cue point and keep playing, press **Shift+Play/Pause** (▶/||).

To reverse playback, press **Shift+Censor/Reverse**. The button will flash while playback is reversed.

To return to normal playback, press **Censor/Reverse**.

To censor playback, press and hold **Censor**.

To return to normal playback, release **Censor**. Normal playback will resume from where it would have been if you had never engaged the Censor feature (i.e., as if the track had been playing forward the whole time).

To skip to the previous or next track, press one of the **Track Skip** ◀/▶ buttons.

To return to the beginning of a track, press **Track Skip** ◀ in the middle of a paused track.

To scan quickly through the track, press and hold **Shift** and then press one of the **Beat Jump** buttons.

To enable or disable Slip Mode, press **Slip**. In Slip Mode, you can jump to cue points, use the platters, or pause the track while the track's timeline continues (the lower half of the waveform in the touchscreen will continue moving forward). When you stop whatever action you are performing, the track will resume normal playback from where it would have been if you had never done anything (i.e., as if the track had been playing forward the whole time).

To jump to a specific location in the track:

- If Needle Lock is **disabled**: tap the desired location in the track overview.
- If Needle Lock is **enabled**: pause playback and then tap the desired location in the track overview. Alternatively, make sure the **platter** is in Vinyl Mode (press **Vinyl** so it is lit), touch the top of the **platter**, and tap the desired location in the track overview.

See [Configuration > Preferences](#) to learn about Needle Lock.

To zoom in and out of the waveform, place two fingers on the display and spread them apart or pinch them together. Alternatively, turn the **Select/Zoom** knob.

Looping & Beat-Jumping

To create and activate an auto loop, press the **Auto Loop** knob.

To set the auto loop length, turn the **Auto Loop** knob to select the number of beats: **1/32, 1/16, 1/8, 1/4, 1/2, 1, 2, 4, 8, 16, 32, or 64**.

To create and activate a manual loop, press **Loop In** to set the start point, and then press **Loop Out** to set the end point. The loop will be activated immediately, and the loop will be indicated as a shaded area in the waveform and track overview.

To deactivate a loop, press the **Auto Loop** knob.

To move the loop, press and hold **Shift** and turn the **Auto Loop** knob while the loop is activated.

To double or halve the length of a loop, turn the **Auto Loop** knob while the loop is activated.

To manually edit the beginning or end of a loop, press **Loop In** or **Loop Out** respectively, then move the platter left or right to shorten or extend the loop region. Commit the edit by pressing **Loop In** or **Loop Out** again.

To beat-jump through a track, press one of the **Beat Jump** buttons. Each press will skip through the track by the length of an auto loop, which you can set by turning the **Auto Loop** knob.

Syncing & Pitch Adjustment

To activate sync, press **Sync** on the unit that you want to control the BPM, which becomes the “master.” After Sync is activated on that unit, press **Sync** on any additional units. The tempo of each unit will immediately synchronize to match the tempo of the master unit.

The Sync state icon in the display will indicate the current status:

- **Sync Off:** Sync is deactivated.
- **Tempo Sync:** Only the tempo is synced (the BPM will match that of the master unit).
- **Bar/Beat Sync:** The tempo will be synced, and the track will be automatically bar- or beat-matched with the track on the master unit, depending on the **Sync Mode** setting.

To deactivate sync on an SC6000 PRIME unit, press **Shift+Sync**.

To set a different SC6000 PRIME unit as the master, press **Master**. All connected SC6000 PRIME units with Sync activated will use the tempo of this unit.

To adjust the track’s pitch, move the **pitch fader**. You can do this only when the deck is not synced.

Important: If Sync is activated, moving the pitch fader on the “master” SC6000 PRIME unit will change the speed of all synced units, while moving the pitch fader on other units will do nothing.

To adjust the track’s pitch momentarily, press and hold one of the **Pitch Bend –/+** buttons.

To adjust the range of the pitch fader, press and hold **Shift** and press one of the **Pitch Bend –/+** buttons to select **±4%**, **8%**, **10%**, **20%**, **50%**, or **100%**.

To reset the track’s pitch to 0%, press **Shift+Key Lock/Pitch Reset**. The track’s pitch will return to its original pitch (**0%**) regardless of the position of the pitch fader.

To adjust the track's key, tap the key on the **touchscreen** to open the **Key Change Menu**.

Pad Modes

The 8 pads have different functions in each pad mode. The **Parameter ◀/▶** buttons will make adjustments specific to each pad mode.

To enter each pad mode, press the corresponding button: **Hot Cue**, **Loop**, **Roll**, or **Slicer**.

Hot Cue Mode



In Hot Cue Mode, you can use each pad to jump to an assigned hot cue point.

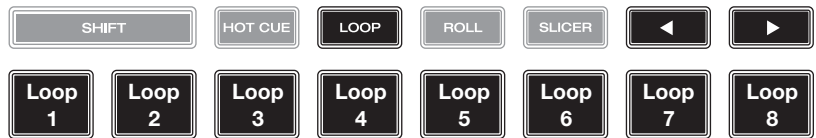
Tip: You can use the Engine PRIME software to set, name, and assign colors to your hot cue points. The names and colors will appear in the display for reference.

To assign a hot cue to a pad, press a dimly lit pad at the desired location in the track. The pad will light up when a hot cue point is assigned.

To jump to a hot cue point, press the corresponding pad.

To clear a hot cue from a pad, press **Shift** and the desired pad. The pad will turn off when there is no hot cue point assigned to it.

Loop Modes



In Manual Loop Mode, you can use each pad to activate an assigned loop. Pressing Loop for the first time will always enter Manual Loop Mode.

Tip: You can use the Engine PRIME software to set and name your loops. The names will appear in the display for reference.

To assign a loop to a pad and activate it, press a dimly lit pad to create a Loop In point at the current location, and then press it again to create the Loop Out point at another location. You can also assign an auto loop to a pad by pressing a dimly lit pad while in the auto loop. The loop will activate immediately, and the pad will light up.

To activate a loop, press the corresponding pad. Once a loop has been created, you can retrigger it by pressing the corresponding pad again, depending on the **Saved Loop Behavior** setting.

To delete a loop, press **Shift** and the desired pad.

In Auto Loop Mode, you can use each pad to create and activate an auto loop. Pressing Loop while in Manual Loop Mode will enter Auto Loop Mode.

To activate an auto loop, press a pad. The display will show the length of the auto loop for each pad.

To deactivate an auto loop, press the pad again.

Roll Mode



In Roll Mode, you can press and hold each pad to trigger a “loop roll” of a certain length while the track’s timeline continues (the lower half of the waveform in the display will continue moving forward). When you release the pad, the track will resume normal playback from where it would have been if you had never done anything (i.e., as if the track had been playing forward the whole time).

To trigger a roll, press the corresponding pad. Pads with triplet-based loop rolls are lit purple.

Slicer Mode



In Slicer Mode (first press), the eight pads represent eight sequential beats—“slices”—in the beatgrid. The currently playing slice is represented by the currently lit pad; the light will “move through the pads” as it progresses through the eight-slice phrase. You can press a pad to play that slice. When you release the pad, the track will resume normal playback from where it would have been if you had never pressed it (i.e., as if the track had been playing forward the whole time).

To play a slice, press the corresponding pad.

Use the **parameter buttons** to change the length of the repeats.

In Slicer Loop Mode (second press), the eight pads represent eight sequential beats—“slices”—in the beatgrid. The currently playing slice is represented by the currently lit pad; the light will “move through the pads” as it progresses through the eight-slice phrase, which will loop (this is the difference between this mode and Slicer Mode). You can press a pad to play that slice. When you release the pad, the track will resume normal playback from where it would have been in the loop if you had never pressed it (i.e., as if the track had been playing forward the whole time).

Configuration

Important: All items in the Shortcuts screen are also in the Preferences. If you change a setting in one screen, it will also change it in the other.

Shortcuts

To open the Shortcuts screen, press **Shortcuts**.

To close the Shortcuts screen, tap the **X** in the upper-right corner, or press **Shortcuts** again.

In the **Shortcuts** screen, tap an option to select it:

- **Layer Color:** This setting determines the color of the light ring around the platter for each layer. Tap **A** or **B** in the center to select the layer, and then tap a color to select it. The light ring will change color immediately. Tap the **X** to return to the previous screen.
- **Cue/Loop Quantization:** This setting determines the degree of quantization for time-based features. Select **1/8** beat, **1/4** beat, **1/2** beat, **1** beat, or **4** beats.
- **Sync Mode:** This setting determines the degree of synchronization applied when you press the Sync button on SC6000 PRIME:
 - **Bar:** The tempo will be synced, and the track will be automatically bar-matched with the track on the master unit (the downbeats of each bar will be aligned).
 - **Beat:** The tempo will be synced, and the track will be automatically beat-matched with the track on the master unit.
 - **Tempo:** Only the tempo will be synced (the BPM will match that of the master deck).
- **Screen Brightness:** This setting determines the brightness of the touchscreen: **Low**, **Mid**, **High**, or **Max**.
- **Player #:** This setting determines the number of this player. When selecting a source device to browse, this number is shown next to the device name in the display.

Preferences

To open the Preferences screen, press and hold **View/Preferences/Utility** and then tap the **Preferences** tab.

To close the Preferences screen, tap the **X** in the upper-right corner, or press **View/Preferences/Utility** again.

In the **Preferences** screen, swipe up or down to scroll through the options, and tap an option to select it:

Playback

- **Track Start Position:** This setting determines where the beginning of a track is after it loads. Select the actual start of the file (**Track Start**) or the automatically detected beginning of an audio signal (**Cue Position**).
- **Default Speed Range:** This setting determines the range of the **pitch fader**. Select **±4%**, **8%**, **10%**, **20%**, or **50%**.
- **Sync Mode:** This setting determines the degree of synchronization applied when you press the Sync button on SC6000 PRIME:
 - **Bar:** The tempo will be synced, and the track will be automatically bar-matched with the track on the master unit (the downbeats of each bar will be aligned).
 - **Beat:** The tempo will be synced, and the track will be automatically beat-matched with the track on the master unit.
 - **Tempo:** Only the tempo will be synced (the BPM will match that of the master deck).
- **Sync Button Action:** This setting determines how the **Sync** button will act when pressed.
 - **Toggle:** This mode allows you to toggle sync on and off without having to hold **Shift**.
 - **Shift Disable:** This mode requires **Shift** to be held in order to turn off sync.
- **Pitch Control Type:** This setting determines the primary function of the Pitch Bend buttons. Select **Pitch Bend** to keep the primary function as momentarily reducing or increasing the pitch, or select **Range** to set the primary function to adjusting the range of the pitch fader. The function not used as the primary will still be available by holding **Shift** and using the **Pitch Bend** buttons.

Cues/Loops

- **Cue/Loop Quantization:** This setting determines the degree of quantization for time-based features: hot cue points, loops, and loop rolls. Select **1/8 beat**, **1/4 beat**, **1/2 beat**, **1 beat**, or **4 beats**.
- **Paused Hot Cue Behavior:** This setting determines how pads will play their hot cue points. When set to **Momentary**, playback will start from a hot cue point when you press and hold its pad—release the pad to return to the hot cue point. When set to **Trigger**, playback will start from a hot cue point (and continue) when you press and release its pad.
- **Default Loop Size:** This setting determines the default size of an auto loop when you load a new track to the deck: **1**, **2**, **4**, **8**, or **16** beats.
- **Smart Loops:** This setting determines whether or not a manual loop will be automatically expanded or reduced to a conventional length (e.g., 2 beats, 4 beats, 8 beats, etc.) when you set it. Select **On** or **Off**. This setting works independently of the quantization setting.
- **Move Cue To Loop In:** This setting determines whether the song's initial **Cue Point** will automatically be moved to the start of a loop (**On**), or remain at its current point (**Off**).
- **Saved Loop Behavior:** This setting determines the action of loops after they have been saved. When set to **Reloop**, pressing a pad with a saved loop will start playing the loop again. When set to **Disable**, pressing a pad with a saved loop will turn off the loop.

Display

- **Track Title:** This setting determines whether tracks titles are shown as the track's **Filename** or its embedded **Metadata** (tags).
- **Time Format:** This setting determines whether or not pitch adjustment affects how the track time is displayed. When set to **Static**, the track's time corresponds to locations in the track as usual; adjusting the pitch does not affect it. When set to **Dynamic**, the track's time will automatically adjust to account for changes in pitch. For instance, if you set the pitch fader to **-8%**, the track time will increase so it is 8% longer.
- **Track End Warning:** This setting determines how long before the end of a track SC6000 PRIME will warn you that it is nearing the end. If the track is on the currently selected layer, the **platter** ring and **track overview** will flash. If the track is on the opposite layer, the **Layer** button will flash.
- **On Air Mode:** This setting changes the platter ring illumination when the channel fader on the Denon DJ mixer is up or down, indicating an active or "on air" deck. When this setting is **On**, raising the channel fader will change the platter color from **white** to the selected color. When this setting is **Off**, the user-selected color will always be shown regardless of the channel fader position.

Note: This requires a connection to a compatible Denon DJ mixer via Ethernet.

Safety

- **Lock Playing Deck:** This setting determines whether or not you will be able to load a track to the deck as it is playing. Select **On** or **Off**. When this setting is on, the deck must be paused in order to load a track to it.
- **Needle Lock:** This setting determines whether or not you can tap the **track overview** in the display to jump to that location in the track during playback. Select **On** or **Off**. You can use the track overview while playback is stopped regardless of this setting. Alternatively, make sure the platter is in Vinyl Mode (press Vinyl so it is lit), touch the top of the platter, and tap the desired location in the track overview.
- **Pad Lock:** This setting determines whether the pads and pad mode buttons (**Hot Cue**, **Loop**, **Roll**, **Slicer**) are enabled or disabled. Select **On** or **Off**.

Library

- **Key Notation:** This setting determines how the track key is notated in the display. You can view the key as all **Sharps**, all **Flats**, **Open Key**, or **Camelot**.
- **Key Filter:** This setting determines whether the **Key** filter shows tracks with the same key only (**Match**) or tracks with compatible keys (**Compatible**).
- **BPM Range:** This setting determines the lowest- and highest-possible BPM values that will be used when tracks are analyzed: **58–115**, **68–135**, **78–155**, **88–175** or **98–195** BPM.
- **BPM Filter Tolerance:** This setting determines the "tolerance" of the **BPM** filter so you can include tracks with tempos that are within a small range of the selected tempo. Select **±0**, **1**, **2**, **3**, **5**, **10**, or **15**.
- **Collection Browse Behavior:** This setting determines browsing behavior when using the Library. When set to **Select**, tapping a playlist, crate or folder will select it, and a double-tap is required to open it. When set to **Open**, tapping a playlist, crate or folder will open it.

Deck Colors

- **Deck Colors:** These settings determine the colors of the light ring around the platter for each layer on each player. Tap the arrow next to **A** or **B** to select the layer, and then tap a color to select it. The light ring will change color immediately. Tap the **X** to return to the previous screen.

Utility

To open the **Utility screen**, press and hold **View/Preferences/Utility** and then tap the **Utility** tab.

To close the **Utility screen**, tap the **X** in the upper-right corner, or press **View/Preferences/Utility** again.

In the **Utility** screen, swipe up or down to scroll through the options, and tap an option to select it:

Device Settings

- **Player #:** This setting determines the number of this player. When selecting a source device to browse, this number is shown next to the device name in the display.
- **Layer B:** This determines whether this SC6000 PRIME will use both deck layers (**On**) or just one (**Off**).
- **Wi-Fi:** This setting determines whether Wi-Fi is enabled (**On**) or disabled (**Off**).
- **Wi-Fi Settings:** Use this option to open the Wi-Fi connection menu and connect to a wireless network.
- **Nudge Sensitivity:** This determines the level of sensitivity when moving the platters: **Low**, **Mid**, **High**, or **Max**.
- **Track Preview:** When active, Track Preview will reveal a play button for each song in the library, allowing the songs to be auditioned in the cue without loading a song to the deck. Select **On** or **Off**.
- **Screen Brightness:** This setting determines the brightness of the touchscreen: **Low**, **Mid**, **High**, or **Max**.

Streaming Services

Use these options to enable or disable connections to streaming service partners. When set to **On**, the selected service will be available under the **Source** selection.

Cloud Services

Use this option to retrieve your Engine library database from a cloud storage service. You must first use the Engine PRIME software to sync your database. Then, when this option is set to **On**, the selected service will be available under the **Source** selection and you can access these files over an established internet connection.

Note: We recommend using only high-quality, name brand USB 3.0 or Class U1 or U3 SD cards as source drives, especially when cloud services are enabled.

Device Info

- **Model:** This is the product name.
- **Firmware Version:** This is the current version of the unit's Engine operating system. Tap **Check For Updates** to see if there is a firmware update available for your SC6000 PRIME (requires internet connection).
- **SC6000 Controller:** This is the current version of the unit's controller firmware.
- **SC6000 Display:** This is the current version of the unit's display firmware.
- **Reset all settings to default:** Press **Reset** to restore the default factory settings for your device.

Update

- **Update Firmware:** Use this option to restart SC6000 PRIME in Update Mode, which enables you to update its firmware. Follow the firmware update instructions included with the firmware update package you downloaded.

Legal Info

- **Legal Info:** Use this option to view the Denon DJ EULA and patent list.

Guía del usuario (Español)

Introducción

Gracias por comprar el SC6000 PRIME. En Denon DJ, sabemos que usted se toma la música en serio. Por eso es que diseñamos nuestros equipos con una sola cosa en mente—hacer que pueda tocar su mejor interpretación.

Características:

- Pantalla HD multitáctil de 10,1 pulg. con soporte para gestos
- Inigualable salida de audio digital de 24 bits / 96 kHz
- Conexión a internet mediante Wi-Fi integrada y mediante cable para realizar streaming de música
- Reproducción de capa doble con salidas analógicas y digitales independientes
- Rueda de avance de 8,5 pulg. con ajuste de tensión y pantalla HD a color
- Reproduce formatos de audio sin compresión (FLAC, ALAC, WAV, AIFF)
- Análisis de archivos de música y gestión de colecciones integrados
- Cuenta con los mejores algoritmos de su clase para estiramiento de tiempo y cambio/sincronización de nota musical
- Las entradas de medios incluyen: (3) USB, SD y bahía de unidad de disco SATA interna
- Botones de goma y pads multifunción para actuaciones de respuesta rápida
- Salida LAN para enlazar reproductores y controlar iluminación y vídeo profesionales de DJ
- Conector IEC con traba para garantizar la buena conexión del cable de suministro eléctrico

Contenido de la caja

SC6000 PRIME	Cable de corriente
(2) Cables de audio RCA (pares estéreo)	Paño de limpieza
Cable USB	Tarjeta de descarga de software
Cable alargador USB	Guía del usuario
Cable de red	Manual sobre la seguridad y garantía

Soporte

Para obtener la información más reciente acerca de este producto (documentación, especificaciones técnicas, requisitos de sistema, información de compatibilidad, etc.) y registrarlo, visite denondj.com.

Para obtener soporte adicional del producto, visite denondj.com/support.

Registro del producto

Su producto puede incluir software y/o promociones exclusivas a las que sólo se puede acceder registrando su producto nuevo en el sitio web de Denon DJ.

Para verificar su elegibilidad y acceso al contenido disponible, sírvase registrar su producto siguiendo las instrucciones a continuación:

1. Visite denondj.com y haga clic en **Account**.
2. Haga clic en **Sign In** para acceder a su cuenta existente o cree una nueva.
3. Una vez que haya iniciado sesión, haga clic en **Register New Product**.
4. Introduzca el número de serie del producto en el recuadro y haga clic en **Check Serial**.
5. Complete el formulario y haga clic en **Register Your Product**.
6. Una vez registrado exitosamente, toda descarga de software, contenido exclusivo y ofertas promocionales aplicables se mostrarán en su cuenta.

Instalación

Importante: Ocasionalmente, es posible que actualicemos el firmware del SC6000 PRIME para añadir excitantes mejoras y características. Visite denondj.com/downloads para encontrar las actualizaciones de firmware disponibles, especialmente luego de actualizar su software (las actualizaciones de firmware pueden contemplar las nuevas características del software).

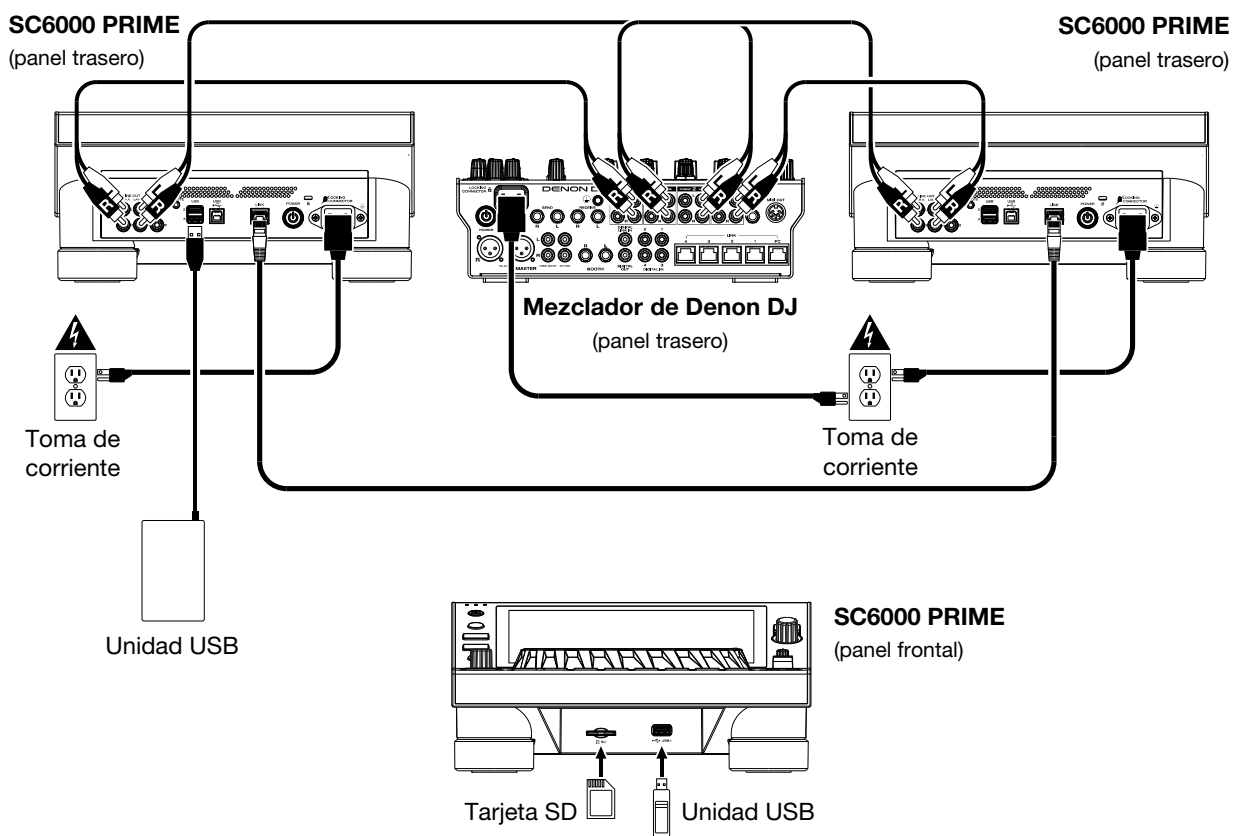
1. Visite denondj.com/downloads y busque la sección **DJ Software** para descargar el software Engine PRIME.
2. Haga doble clic en el archivo instalador **.exe** (Windows®) o **.dmg** (macOS®) descargado y luego siga las instrucciones en pantalla para instalar Engine PRIME.
3. Asegúrese de que todos sus dispositivos estén **apagados** o que todos sus niveles de volumen estén en sus posiciones **mínimas**.
4. Conecte las salidas de audio del SC6000 PRIME (**Layer A/B** o **Digital Outputs A/B**) a las entradas de su mezclador.
5. Conecte los puertos **Link** del SC6000 PRIME a uno de los siguientes ejemplos de diagrama de conexión.
6. Conecte cualquier dispositivo de salida (giradiscos, auriculares, amplificadores de potencia, altavoces, etc.) a las salidas de su mezclador.
7. Conecte todos sus dispositivos a sus fuentes de corriente.
 - Al iniciar una sesión, encienda (1) el SC6000 PRIME y las demás fuentes de entrada, (2) su mezclador y luego (3) los dispositivos de salida.
 - Al finalizar una sesión, apague (1) los dispositivos de salida, (2) su mezclador y luego (3) el SC6000 PRIME y las demás fuentes de entrada.
8. **Cómo utilizar el Engine OS** (reproducción autónoma): Inserte una unidad de almacenamiento USB o tarjeta SD (con una biblioteca musical configurada para Engine) en uno de los **puertos USB** o **ranuras para tarjeta SD** del SC6000 PRIME.

Diagramas de conexión

Los elementos que se muestran pero que no se enumeran en [Introducción > Contenido de la caja](#) se venden por separado.

Ejemplo 1

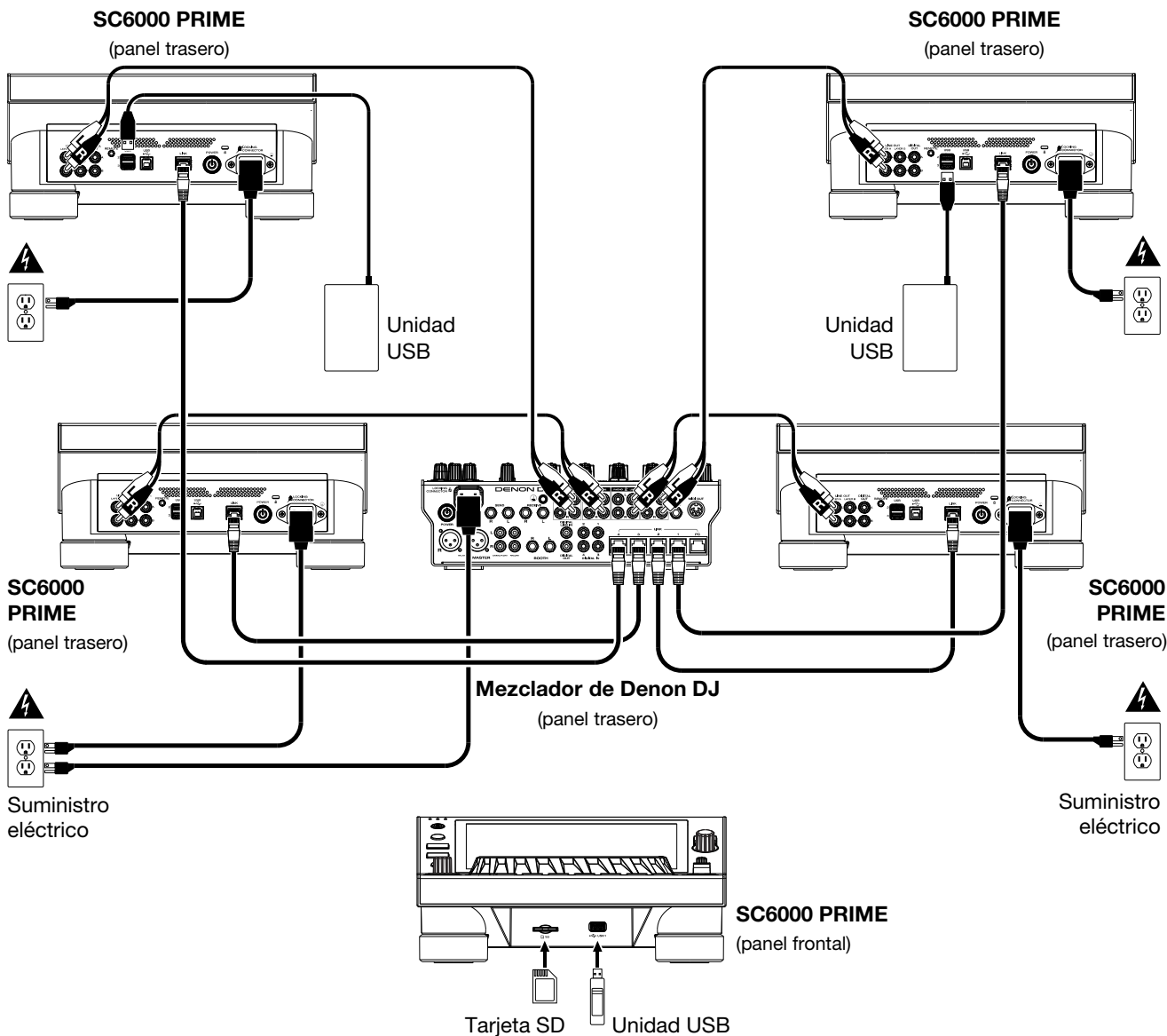
Este ejemplo muestra 2 unidades SC6000 PRIME con sus puertos **Link** conectados entre sí directamente.



Ejemplo 2

Este ejemplo muestra 4 unidades SC6000 PRIME con sus puertos **Link** conectados a los **Puertos Link 1-4** de un mezclador de Denon DJ. Todas las unidades están en red a través del mezclador.

Nota: Si utilizará un mezclador diferente para esta configuración, conecte los puertos **Link** de las 4 unidades SC6000 PRIME a un concentrador Ethernet en lugar de al mezclador.



Advertencia de radiofrecuencias: Este es un dispositivo móvil. Mantenga una distancia de al menos 20 centímetros / 8 pulgadas entre la(s) estructura(s) de los transmisores que irradian radiofrecuencias y su cuerpo u otras personas en las cercanías.

Análisis de archivo y dispositivos

El SC6000 PRIME puede reproducir archivos de música desde unidades USB, tarjetas SD u otras unidades SC6000 PRIME conectadas. Asegúrese de estar usando únicamente los sistemas de archivos soportados (para unidades USB o tarjetas SD) y formatos de archivo (para archivos de música) que se enumeran a continuación.

Sistemas de archivos soportados:	exFAT, FAT32	
Formatos de archivo compatibles:	AAC/M4A	MP3 (32–320 kbps)
	AIF/AIFF (44,1–192 kHz, 16–32 bits)	MP4
	ALAC	Ogg Vorbis
	FLAC	WAV (44,1–192 kHz, 16–32 bits)

Si bien el SC6000 PRIME puede reproducir pistas que aún no se han analizado, efectuarles un pre-análisis permite que sus características funcionen de forma más efectiva. Puede analizar pistas en una de dos maneras:

- **En el SC6000 PRIME, cargue la pista:** Cuando carga una pista para reproducirla, el SC6000 PRIME la analizará automáticamente (si aún no hubiera sido analizada). Esto puede demorar un momento en terminar, dependiendo de la longitud de la pista. Puede empezar a reproducir la pista desde el comienzo **inmediatamente**, aunque tendrá que esperar unos momentos a que termine el análisis.
- **Use el software Engine PRIME:** El software Engine PRIME incluido puede pre-analizar la biblioteca de música que utilizará con el SC6000 PRIME. También se puede utilizar para organizar su biblioteca, administrar las preferencias de software de su SC6000 PRIME, etc. (consulte [Funcionamiento](#) para conocer más sobre este tema).

Visite denondj.com/downloads y busque la sección DJ Software para descargar el software Engine PRIME.

Cómo eyectar una unidad USB o tarjeta SD:

1. Asegúrese de no estar reproduciendo ninguna de sus pistas en ninguna unidad SC6000 PRIME conectada.
2. Pulse **Media Eject**. Aparecerá una lista de dispositivos conectados en la **pantalla táctil**.
3. Toque el icono **Eject** en la pantalla táctil junto al nombre de su dispositivo. Si se está reproduciendo actualmente una pista del dispositivo, se le preguntará si desea continuar con la eyección, lo cual detendrá la pista. Toque **Cancel** para cancelar la eyección del dispositivo o toque **OK** para eyectarlo.

Para detectar dispositivos adicionales, repita el paso 3.

Para regresar a la pantalla anterior, pulse **Media Eject** nuevamente o toque la **X** en la esquina superior derecha.

Conexiones en red

Puede conectar hasta cuatro unidades SC6000 PRIME entre sí mediante una red, permitiéndoles compartir bases de datos de pistas, información de sincronización y BPM y cualquier otro dato de forma transparente a través de esta conexión.

Esta característica brinda muchas ventajas para sus actuaciones. Por ejemplo, si está usando cuatro unidades SC6000 PRIME, puede usar una de ellas para explorar **todas** las pistas en **todos** los dispositivos (unidades USB o tarjetas SD) conectadas a **cualquiera** de estas unidades SC6000. Entonces podrá reproducir cualquiera de estas pistas inmediatamente sin tener que trasladar un dispositivo desde una unidad a otra.

Para conectar unidades SC6000 PRIME entre sí mediante una red, utilice los cables de red incluidos para realizar una de las siguientes acciones:

- Si sólo está usando dos unidades SC6000 PRIME, conecte sus dos puertos **Link**.
- Si está usando dos o más unidades SC6000 PRIME, conecte cada uno de sus puertos **Link** a un puerto **Link** (1–4) en su mezclador de Denon DJ.
- Cita utilizando dos o más unidades SC6000 PRIME, conecte cada uno de sus puertos **Link** a un puerto Ethernet de un enrutador.

Se encenderá la luz **Link** cuando la unidad SC6000 PRIME esté correctamente conectada a una red.

Configuración

El SC6000 PRIME tiene diversos ajustes que le permiten personalizar la reproducción y la forma en la que se muestra la información.

Para abrir un menú rápido con los ajustes más comúnmente utilizados, pulse **Shortcuts**.

Para abrir la lista completa de preferencias, mantenga pulsado **View/Preferences/Utility**.

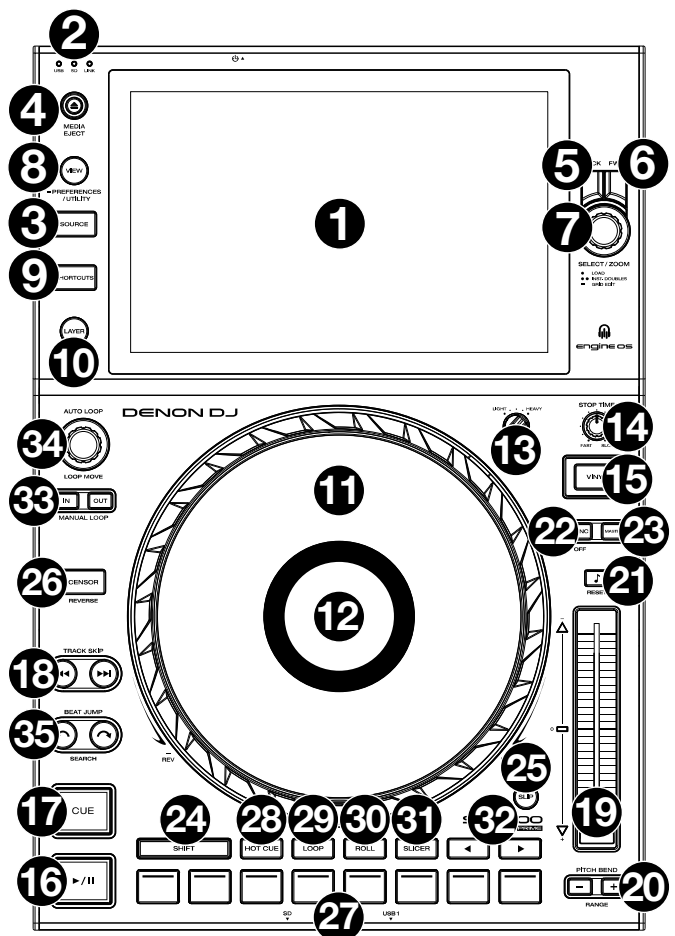
Consulte [Funcionamiento](#) > [Configuración](#) para aprender sobre estos ajustes.

Características

Panel superior

Selección y exploración de medios

- Pantalla táctil:** Esta pantalla multitáctil a todo color muestra información relevante sobre el funcionamiento actual del SC6000 PRIME. Toque la pantalla (y utilice los controles de hardware) para controlar la interfaz. Consulte [Funcionamiento > Vista general de la pantalla táctil](#) para obtener más información.
- Selección de medios:** Estas luces se iluminarán para indicar si el tipo de medio correspondiente está conectado: **USB**, **SD** o **Link**.
- Fuente:** Pulse este botón para mostrar una lista de dispositivos disponibles conectados al SC6000 PRIME en la **pantalla táctil** (otras unidades SC6000 PRIME en red, unidades USB, tarjeta SD, Wi-Fi etc.) Toque un dispositivo de la lista para seleccionarlo.
- Media Eject:** Pulse este botón para mostrar una lista de dispositivos conectados a esa unidad SC6000 PRIME en la **pantalla táctil** (por ejemplo, unidades de memoria USB conectadas a sus puertos USB o una tarjeta SD insertada en su ranura para tarjeta SD).
Para expulsar un dispositivo, asegúrese de que no se esté reproduciendo ninguna de sus pistas y luego toque el icono **Eject** en la **pantalla táctil** y siga las indicaciones.
- Back:** Pulse este botón para pasar a la ventana anterior. Estando en la vista de actuación, pulse el botón para entrar en la vista de exploración.
- Forward:** Pulse este botón para pasar a la ventana siguiente. Estando en la vista de actuación, pulse el botón para entrar en la vista de exploración.
- Select/Zoom:** Estando en la vista de exploración, gire esta perilla para recorrer una lista y pulse dicha perilla para seleccionar un elemento o cargar una pista a la capa en foco. Pulse la perilla dos veces para cargar una pista a ambas capas ("dobles instantáneos").
Estando en la vista de actuación, gire esta perilla para agrandar o achicar la forma de onda de una pista. Mantenga pulsada la perilla para ajustar la cuadrícula de beats (consulte [Funcionamiento > Vista de actuación](#) para obtener más detalles sobre cómo ajustar la cuadrícula de beats).
- View/Preferences/Utility:** Pulse este botón para alternar entre la vista de la biblioteca y la vista de la pista. Mantenga pulsado este botón para entrar a la ventana de preferencias y utilidades.
Mantenga pulsado **Shift** y pulse este botón para conmutar entre la vista de capa única o capa doble de las formas de onda en la **pantalla táctil**. También puede mantener pulsado **Shift** y luego mantener pulsado este botón para intercambiar las posiciones de la bandeja.
- Shortcuts:** Pulse este botón para acceder rápidamente a un menú reducido con opciones de reproducción y visualización.



Controles de reproducción y transporte

- Layer:** Pulse este botón para conmutar el foco de la capa del SC6000 PRIME.
- Plato:** Este plato capacitivo sensible al tacto controla el cabezal de reproducción cuando se toca y se mueve la rueda. Cuando el botón **Vinyl** esté encendido, mueva el **plato** para "rayar" la pista como si se tratara de un disco de vinilo. Cuando el botón **Vinyl** esté apagado (o si está tocando solo el costado del **plato**), mueva el **plato** para ajustar temporalmente la velocidad de la pista.
- Pantalla del plato:** Esta pantalla muestra información relevante para su actuación, incluyendo la posición actual del cabezal de reproducción y el tamaño del bucle automático actual, así como la imagen de la portada del álbum. Consulte [Funcionamiento > Vista general de la pantalla del plato](#) para obtener más información.
- Wheel Adjust:** Gire esta perilla para ajustar la resistencia del plato a los movimientos. Esta perilla aplica un freno al plato para evitar deslizamientos accidentales debido a vibraciones ambientales provenientes de frecuencias graves, inestabilidad de la superficie, etc.
- Stop Time:** Controla la desaceleración con la cual la pista disminuye su velocidad hasta detenerse completamente ("tiempo de frenado") cuando hace una pausa pulsando **Play/Pause** (▶/||).

15. **Vinyl:** Pulse este botón para activar/desactivar el "modo vinilo" para el plato. Una vez activado, puede utilizar el **plato** para "rayar" la pista como si se tratara de un disco de vinilo.
16. **Play/Pause (▶/⏸):** Con este botón se pone en pausa o reanuda la reproducción.
Mantenga pulsado **Shift** y pulse este botón para que la pista "tartamudee" desde el punto de cue inicial.
17. **Cue:** Durante la reproducción, pulse este botón para regresar la pista al punto de cue inicial y detener la reproducción. Para mover el punto de cue inicial, asegúrese de que la pista esté en pausa, mueva el plato para posicionar el cabezal de reproducción en la posición deseada y luego pulse este botón. Si la bandeja está en pausa, mantenga pulsado este botón para reproducir momentáneamente la pista desde el punto de cue inicial. Suelte el botón para regresar la pista al punto de cue inicial y ponerla en pausa. Para continuar la reproducción sin volver al punto de cue inicial, mantenga pulsado este botón y luego mantenga pulsado el botón Play y luego suelte ambos botones.
Durante la reproducción, mantenga pulsado **Shift** y pulse este botón para establecer el punto de cue inicial.
18. **Track Skip:** Pulse uno de estos botones para saltar a la pista anterior o siguiente.
Pulse **Previous Track** (pista anterior) en la mitad de una pista que se encuentra en pausa para regresar al comienzo de la misma.

Controles de sincronización y tono

19. **Fader de tono:** Mueva este fader para ajustar la velocidad (tono) de la pista. Puede ajustar su rango total manteniendo pulsado **Shift** y pulsando uno de los botones **Pitch Bend**.
Importante: Si se activa la sincronización, al mover el fader de tono en la unidad SC6000 PRIME "maestra" se modificarán las velocidades de todas las unidades sincronizadas, mientras que mover el fader de tono en las otras unidades no hará nada.
20. **Pitch Bend -/+:** Mantenga pulsado uno de estos botones para reducir o aumentar (respectivamente) la velocidad de la pista momentáneamente.
Mantenga pulsado **Shift** y pulse uno de estos botones para ajustar el rango del fader de tono.
21. **Bloqueo de nota/Reestablecer tono:** Pulse este botón para activar o desactivar el bloqueo de nota. Una vez activado el bloqueo de nota, el tono de la pista permanecerá igual por más que modifique su velocidad.
Mantenga pulsado **Shift** y pulse este botón para restablecer la pista a su nota original independientemente de la posición del **fader de pitch** (tono) o las ediciones realizadas mediante el menú de cambio de nota.
22. **Sync/Sync Off:** Pulse este botón para activar la sincronización.
Para sincronizar dos o más unidades SC6000 PRIME, pulse **Sync** en la unidad que desea que controle los BPM, la cual se convierte en la unidad "maestra". Una vez que se activa la sincronización en esa unidad, pulse **Sync** en las unidades adicionales. El tiempo de cada unidad se sincronizará inmediatamente para coincidir con el tempo de la unidad maestra.
Para desactivar la sincronización, pulse nuevamente el botón **Sync** o mantenga pulsado **Shift** y pulse **Sync**, dependiendo del ajuste del botón **Sync Button Action** en **Preferences**.
23. **Master:** Pulse este botón para configurar esta unidad SC6000 PRIME como la que controla el tempo maestro. Todas las unidades SC6000 PRIME conectadas con la sincronización activada usarán este tempo. Si detiene a la unidad SC6000 PRIME "maestra", la siguiente unidad SC6000 PRIME de reproducción más larga en la configuración se transformará automáticamente en la nueva unidad "maestra" (a menos que la modifique manualmente).

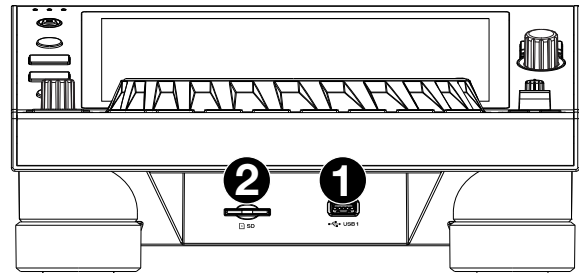
Controles de actuación

24. **Shift:** Mantenga pulsado este botón para acceder a las funciones secundarias de otros controles.
25. **Slip:** Pulse este botón para activar o desactivar el modo de resbalamiento. En el modo de resbalamiento, puede saltar hacia puntos de cue, usar el plato o poner la pista en pausa, mientras la línea de tiempo de la pista continua (la mitad inferior de la forma de onda en la pantalla seguirá moviéndose hacia adelante). En otras palabras, cuando detenga la acción que esté realizando, se reanudará la reproducción normal de la pista desde donde habría estado si nunca hubiera hecho nada (es decir, como si la pista hubiera estado reproduciéndose en avance todo el tiempo).
26. **Censor/Reverse:** Pulse este botón para activar o desactivar la característica Censor: la reproducción de la pista se invertirá, pero cuando suelte el botón, se seguirá reproduciendo normalmente desde donde estaría si nunca hubiera activado la característica Censor (es decir, como si la pista hubiera estado reproduciéndose hacia adelante todo ese tiempo).
Mantenga pulsado **Shift** y pulse este botón para invertir la reproducción de la pista normalmente. Pulse este botón nuevamente para regresar la reproducción a la dirección normal hacia adelante.
27. **Pads para actuaciones en vivo:** Estos pads tienen distintas funciones en cada bandeja en función del modo de pad activo. Consulte [Funcionamiento > Actuaciones > Modos de pad](#) para obtener más información.
28. **Hot Cue:** Pulse este botón para entrar al modo de cue rápido.
29. **Loop:** Pulse este botón una vez para entrar al modo de bucle manual. Púlselo una vez más para entrar al modo de bucle automático.
30. **Roll:** Pulse este botón para entrar al modo de redoble.
31. **Slicer:** Pulse este botón una vez para entrar al modo cortador y púlselo nuevamente para entrar al modo de bucle cortador.
32. **Parámetro ◀/▶:** Utilice estos botones para las diversas funciones en cada modo de pad. Consulte [Funcionamiento > Actuaciones > Modos de pad](#) para obtener más información.

33. **Loop In/Loop Out:** Pulse cualquiera de estos botones para crear un punto de entrada o de salida de bucle en la posición actual. Su posicionamiento se verá afectado por los ajustes de **Quantize** y **Smart Loops**. Consulte [Funcionamiento > Configuración > Accesos directos](#) para obtener más información.
34. **Auto Loop/Loop Move:** Gire esta perilla para ajustar el tamaño de un bucle automático. El valor aparecerá en la **pantalla táctil** y en la pantalla del plato.
Pulse esta perilla para activar o desactivar un bucle automático en la posición actual de la pista.
Consejo: Puede asignar bucles automáticos a pads estando en el modo de bucle manual. Consulte [Funcionamiento > Actuaciones > Modos de pad](#) para obtener más información.
Mantenga pulsado **Shift** y gire esta perilla para desplazar el bucle activo a la izquierda o a la derecha.
35. **Beat Jump:** Pulse uno de estos botones para saltar hacia delante o hacia atrás en la pista. Use la perilla **Auto Loop** para determinar el tamaño del salto de beats.
Mantenga pulsado **Shift** y luego pulse uno de estos botones para desplazarse hacia delante o hacia atrás (respectivamente) por la pista.

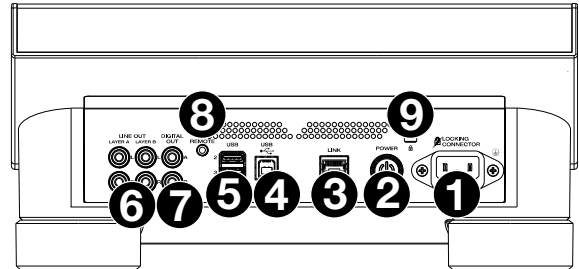
Panel frontal

1. **Puerto USB delantero:** Conecte una unidad USB estándar a este puerto USB. Cuando seleccione esa unidad USB como fuente (pulsando el botón **Source**), podrá usar la pantalla para seleccionar y cargar pistas en su unidad USB. También existen dos puertos USB similares en el panel trasero. Puede usar el cable alargador USB incluido para conectar unidades de memoria USB más grandes o pequeñas.
2. **Ranura para tarjeta SD:** Inserte una tarjeta SD estándar en esta ranura. Cuando seleccione esa tarjeta SD como fuente (pulsando el botón **Source**), podrá usar la pantalla para seleccionar y cargar pistas en su tarjeta SD.



Panel trasero

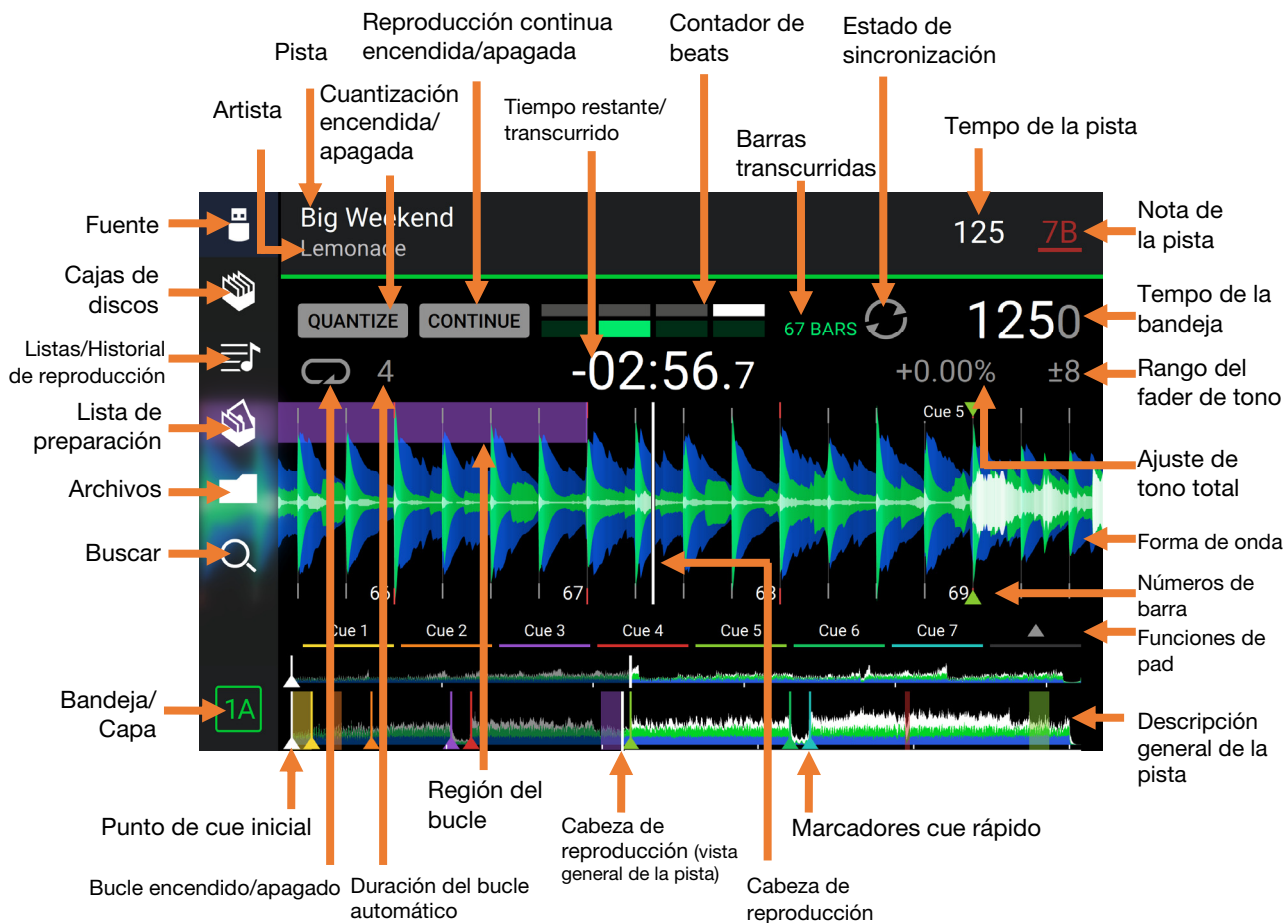
1. **Entrada de corriente:** Utilice el cable de corriente con traba incluido para conectar esta entrada a una toma de corriente. Para retirar el cable de corriente, empuje la lengüeta amarilla hacia abajo y luego tire el cable para extraerlo de la entrada. También puede utilizar un cable de corriente IEC estándar en lugar del cable de corriente con traba incluido.
El SC6000 PRIME cuenta con un circuito de protección que expulsa todos los medios en caso de un corte de energía eléctrica a fin de evitar la corrupción de sus datos. Una vez restaurado el suministro eléctrico, volverá al funcionamiento normal.
2. **Botón de encendido:** Pulse este botón para encender o apagar el SC6000 PRIME. Encienda el SC6000 PRIME únicamente **después** de haber conectado todos sus dispositivos de entrada y **antes** de encender sus amplificadores y altavoces. Apague sus amplificadores y altavoces **antes** de apagar el SC6000 PRIME.
Mantenga pulsado este botón durante 10 segundos para desconectar el SC6000 PRIME.
3. **Puerto Link:** Use el cable de red incluido para conectar este puerto a otro SC6000 PRIME o a su mezclador de Denon DJ. Cada unidad SC6000 PRIME conectada en red puede compartir bases de datos de pistas, información de sincronización y BPM y cualquier otro dato de forma transparente a través de esta conexión.
4. **Puerto USB B:** Utilice un cable USB (incluido) para conectar este puerto USB a un puerto USB disponible en su ordenador. Esta conexión envía y recibe mensajes MIDI desde y hacia el ordenador.
5. **Puertos USB traseros 2/3:** Conecte unidades USB estándar a estos puertos USB. Cuando seleccione una de esas unidades USB como fuente (pulsando el botón **Source**), podrá usar la pantalla para seleccionar y cargar pistas en sus unidades USB. También existe un puerto USB similar en el panel trasero.
6. **Layer A/B Outputs:** Utilice cables RCA estéreo para conectar estas salidas a su mezclador de DJ. Las salidas de línea de la capa **Layer A** envían hacia afuera la señal de audio desde la Capa A. Las salidas de línea de la capa **Layer B** envían hacia afuera la señal de audio desde la Capa B.
7. **Digital Outputs A/B:** Use cables RCA estándar para conectar estas salidas de 24 bits/96 KHz a dispositivos y mezcladores tales como el mezclador X1850 PRIME de Denon DJ.
8. **Entrada Remote:** Use un cable de inicio remoto estándar de 5 patillas para conectar esta entrada a la salida de su mezclador (si está disponible). Estando conectado a un mezclador compatible con inicio remoto, al mover el crossfader hacia el lado que corresponda a este SC6000 PRIME (o al aumentar el fader de este canal) comenzará automáticamente la reproducción de la pista en la capa actualmente seleccionada.
9. **Ranura de bloqueo Kensington®:** Utilice esta ranura a fin de sujetar el SC6000 PRIME a una mesa u otra superficie.



Funcionamiento

Vista general de la pantalla táctil

Vista de actuación



Deslice el dedo hacia la izquierda o hacia la derecha sobre la **vista general de la pista** para recorrer la pista mientras está en pausa.

Nota: Puede usar esta característica durante la reproducción si Needle Lock (Bloqueo de la aguja) está **desactivado**. Si Needle Lock está **activado**, asegúrese de que el plato se encuentre en modo de vinilo (pulse **Vinyl** para que quede encendido) y toque la parte superior del **plato** mientras desliza la vista general de la pista. Consulte [Configuración > Preferencias](#) para aprender sobre Needle Lock.

Separe o junte sus dedos sobre la **forma de onda** para agrandarla o achicarla respectivamente. Como alternativa, gire la perilla **Select/Zoom**.

Toque un **icono** para seleccionarlo (es decir, los iconos para las cajas, listas de reproducción, listas de preparación, archivos o búsqueda del lado izquierdo).

Toque un **botón** para activar o desactivarlo (es decir, los botones **Quantize**, **Continue** o **Key Lock**).

Toque el **tiempo** para alternar entre el tiempo transcurrido y el tiempo restante.

Toque la **nota** para mostrar el menú de cambio de nota, el que podrá ajustar la nota de la pista.

Mantenga pulsado **Shift** y pulse el botón **View** para conmutar entre la vista de capa única o capa doble de las formas de onda en la Vista de actuación.



Vista de capa doble

También puede mostrar u ocultar los controles de la grilla de beats en la Vista para actuaciones. La grilla de beats se detecta automáticamente y se ajusta al analizar la pista.

Para mostrar los controles de la grilla de beats, mantenga pulsada la perilla **Select/Zoom** durante un segundo. Aparecerán seis botones en la parte inferior de la pantalla y las marcas de la grilla de beats aparecerán en la forma de onda.

Para reiniciar la grilla de beata, toque **Reset**.

Para desplazar los beats descendentes de la grilla de beats a la izquierda o derecha (en incrementos de 1 beat), toque los botones < o >, respectivamente, o gire la perilla **Select/Zoom**.

Para desplazar/“deslizar” la grilla de beats a la derecha o izquierda, gire el plato.

Para dividir a la mitad o duplicar la cantidad de marcas de la grilla de beats, toque **/2** o **X2**, respectivamente.

Para ocultar los controles de la grilla de beata, pulse la perilla **Select/Zoom** o toque **Done** en la pantalla táctil.

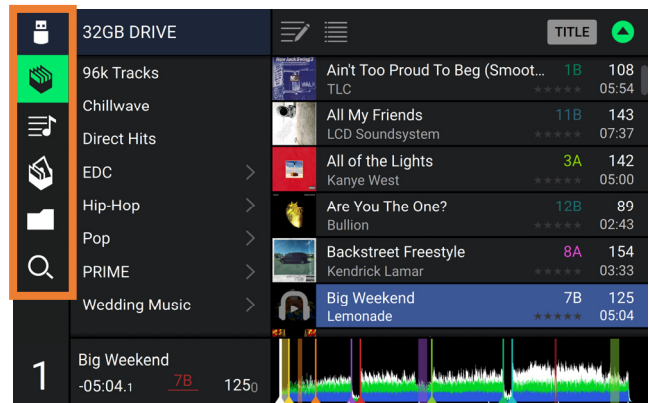
Vista de exploración

Use la vista de exploración para ver su biblioteca de música y cargar una pista en la bandeja. También puede explorar las cajas y las listas de reproducción, añadir pistas a la lista de preparación y recorrer sus pistas usando las funciones de ordenamiento y filtrado.

Importante: Visite denondj.com/downloads y busque la sección DJ Software para descargar el software Engine PRIME.

Utilice los seis iconos del lado izquierdo para navegar estando en la vista de exploración:

- **Fuente:** Utilice esta opción para seleccionar el dispositivo fuente desde el cual visualizar las pistas, incluyendo sus dispositivos de medios conectados y servicios en la nube y de streaming disponibles. Toque el icono de fuente para mostrar la lista de fuentes disponibles y luego toque una de ellas para seleccionarla. Para habilitar los servicios de streaming, utilice el menú **Utilidades**.
- **Cajas de discos:** Sus cajas son colecciones de pistas organizadas como usted desee. Puede tener cajas para diferentes géneros o estilos, para álbumes de una década específica, etc. Puede usar el software Engine PRIME incluido para crear cajas y usarlas aquí.
- **Listas/Historial de reproducción:** Sus listas de reproducción son listas de pistas organizadas de acuerdo un orden específico. Puede tener listas de reproducción para diferentes tipos de discotecas o eventos, para géneros específicos, etc. Puede usar el software Engine PRIME incluido para crear listas de reproducción y usarlas aquí. Aquí es donde también puede ver el historial de reproducción. Si no hay listas de reproducción, solo se mostrará en esta vista el historial
- **Preparar:** Puede cargar pistas en la lista de preparación de manera que pueda consultarlas más tarde cuando desee reproducirlas durante su actuación (en lugar de tener que recorrer su biblioteca entera para buscar la siguiente pista a reproducir).
- **Archivos:** Utilice esta opción para explorar la lista de todos los archivos en una unidad USB o tarjeta SD.
- **Búsqueda:** Utilice esta opción para explorar sus pistas según una palabra clave. Los resultados de búsqueda se basan en: nombre del álbum, nombre del artista, nombre de la pista, tono y tempo.



Toque el icono de lista en la parte superior de la pantalla para conmutar entre las vistas de lista estándar y lista expandida.

Deslice una lista hacia arriba o abajo para recorrerla (es decir, su lista de cajas, su lista de listas de reproducción o su lista de pistas). Como alternativa, pulse los botones **Back** o **Forward** para seleccionar una lista y luego gire la perilla **Select/Zoom**. Mantenga pulsado **Shift** luego gire la perilla **Select/Zoom** para recorrer la lista rápidamente. También puede tocar y arrastrar la barra de desplazamiento del lado derecho de la lista.

Toque un icono o elemento de una lista para seleccionarlo. Como alternativa, pulse la perilla **Select/Zoom**.

Deslice una pista hacia la derecha para cargarla en la bandeja. Como alternativa, pulse la perilla **Select/Zoom** o toque la pista dos veces.

Deslice una pista hacia la izquierda para agregarla a la lista de preparación. Como alternativa, mantenga pulsado **Shift** y pulse la perilla **Select/Zoom**. Deslice una pista hacia la izquierda en la lista de preparación para quitarla.

Toque y mantenga su dedo sobre una pista para desplegar su ventana de información. Toque la ventana de información para cerrarla.

Toque la imagen de la pista para previsualizar la pista. Tóquela nuevamente para detener la previsualización. Durante la previsualización, toque a lo largo de la entrada de la pista para recorrer la pista.

Toque el campo de búsqueda y utilice el teclado que aparece en la pantalla para buscar sus pistas según una palabra clave. Los resultados de búsqueda se basan en: nombre del álbum, nombre del artista, nombre de la pista, nota y tempo.

Vista general de la pantalla del plato

Normalmente, la pantalla del plato muestra la siguiente información:

- la posición actual de la cabeza de reproducción.
- la imagen de la portada del álbum de la pista actual.

La pantalla del plato muestra la siguiente información de forma temporal:

- el tamaño actual de un bucle automático una vez que gira la perilla **Auto Loop**.
- la capa actual después de que pulsa el botón **Layer**.
- la posición del cabezal de reproducción secundario cuando **Slip** está activado.



Actuaciones

Carga y descarga de pistas

Mientras visualiza cualquier lista de pistas:

Para cargar una pista a la pista de la bandeja que está actualmente en foco, deslice la pista hacia la derecha. Como alternativa, pulse la perilla **Select/Zoom** o toque la pista dos veces.

Para efectuar dobles instantáneos (cargar la misma pista en ambas capas de la bandeja), pulse dos veces la perilla **Select/Zoom** mientras la pista se encuentra resaltada.

Para agregar una pista a la lista de pistas preparadas, deslice la pista hacia la izquierda. Como alternativa, mantenga pulsado **Shift** y pulse la perilla **Select/Zoom**.

Para mostrar la información de una pista, tóquela y mantenga su dedo sobre ella.

Mientras visualiza la lista de pistas preparadas:

Para eliminar una pista de la lista de pistas preparadas, deslice la pista hacia la izquierda.

Para eliminar todas las pistas de la lista de pistas preparadas, toque el icono de **borrado de lista** que se encuentra en la esquina superior derecha de la pantalla.

Búsqueda y filtrado de pistas

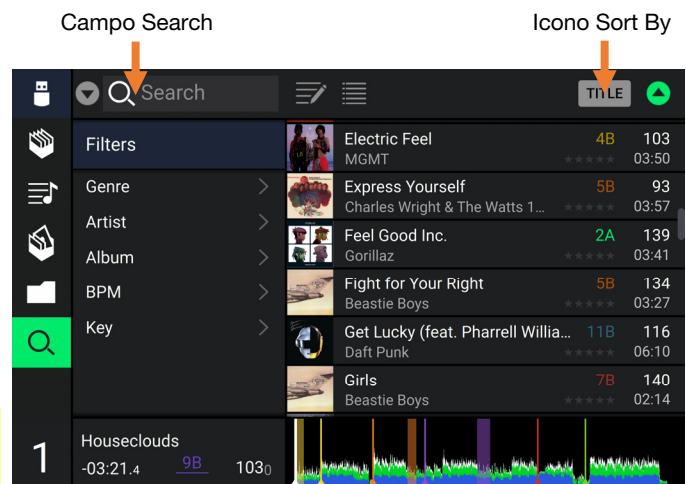
Para buscar, toque el campo **Search** y utilice el teclado que aparece en la pantalla. Los resultados de búsqueda se basan en los siguientes criterios: nombre del álbum, nombre del artista, nombre de la pista, nota y tempo.

Para ocultar el teclado, toque el **icono del teclado** en la esquina inferior derecha del teclado virtual. Como alternativa, toque cualquier otra parte de la pantalla que no sea el teclado ni el campo de búsqueda.

Para filtrar sus pistas, toque **Genre**, **Album**, **Artist**, **Key**, o **BPM**, y luego toque una de las opciones disponibles. Solo se mostrarán las pistas etiquetadas con ese género, álbum, artista, nota o BPM. (Por defecto, la nota se expresa usando el sistema Camelot)

Nota: También puede usar las preferencias para definir si desea mostrar las pistas con la misma nota solamente o las pistas con notas compatibles así como también la tolerancia del filtro de BPM (para incluir pistas con tempos a menos de 1–15 BPM de la pista seleccionada). Consulte [Configuración > Preferencias](#) para aprender más.

Para ordenar la lista de resultados, toque el icono **Sort By** que se encuentra en la esquina superior derecha y luego toque una de las opciones disponibles. Toque el icono de **flecha** que se encuentra junto al icono anteriormente mencionado para alternar entre orden ascendente y descendente.



Reproducción y cues

Para reproducir o hacer pausa en una pista, pulse **Play/Pause** (▶/||).

Para rayar una pista, pulse **Vinyl** de manera que quede encendido y luego mueva el **plato**.

Para establecer el punto de cue inicial, pulse **Shift+Cue** en la ubicación deseada durante la reproducción.

Para regresar al punto de cue inicial y detenerse, pulse **Cue**. El botón parpadeará mientras la unidad se encuentre en pausa en el punto de cue.

Para regresar al punto de cue inicial y seguir tocando, pulse **Shift+Play/Pause** (▶/||).

Para invertir la reproducción, pulse **Shift+Censor/Reverse**. El botón parpadeará durante la reproducción invertida.

Para regresar a la reproducción normal, pulse **Censor/Reverse**.

Para censurar la reproducción, mantenga pulsado **Censor**.

Para regresar a la reproducción normal, pulse **Censor**. La reproducción normal se reanudará desde la posición en donde estaría si nunca se hubiera activado la función Censor (es decir, si la pista se hubiera estado reproduciendo hacia adelante todo el tiempo).

Para saltar a la pista siguiente o anterior, pulse uno de los botones **Track Skip** (◀/▶).

Para regresar al comienzo de una pista, pulse **Track Skip** (◀) en la mitad de una pista que se encuentra en pausa.

Para recorrer la pista rápidamente, mantenga pulsado **Shift** y luego pulse uno de los botones **Beat Jump**.

Para activar o desactivar el modo de resbalamiento, pulse **Slip**. En el modo de resbalamiento, puede saltar hacia puntos de cue, disparar bucles con regreso, usar el plato o poner la pista en pausa, mientras la línea de tiempo de la pista continua (la mitad inferior de la forma de onda en la **pantalla táctil** seguirá moviéndose hacia adelante). Cuando detenga la acción, se reanuda la reproducción normal de la pista desde donde habría estado si nunca hubiera hecho nada (es decir, como si la pista hubiera estado reproduciéndose hacia adelante todo el tiempo).

Cómo saltar a una posición específica de la pista:

- Si Needle Lock (Bloqueo de la aguja) está **desactivado**: toque la posición deseada en la vista general de la pista.
- Si Needle Lock (Bloqueo de la aguja) está **activado**: ponga la reproducción en pausa y luego toque la posición deseada en la vista general de la pista. Como alternativa, asegúrese de que el **plato** se encuentre en modo de vinilo (pulse **Vinyl** de manera que quede encendido), toque la parte superior del **plato** y toque la ubicación deseada en la vista general de la pista.

Consulte [Configuración > Preferencias](#) para aprender sobre Needle Lock.

Para **agrandar y achicar la forma de onda**, coloque dos dedos en la pantalla y sepárelos o júntelos. Como alternativa, gire la perilla **Select/Zoom**.

Bucles y salteo de beat

Para crear y activar un bucle automático, pulse la perilla **Auto Loop**.

Para establecer la longitud del bucle automático, gire la perilla **Auto Loop** para seleccionar la cantidad de beats: **1/32, 1/16, 1/8, 1/4, 1/2, 1, 2, 4, 8, 16, 32** o **64**.

Para crear y activar un bucle manual, pulse **Loop In** para establecer el punto inicial y luego pulse **Loop Out** para establecer el punto final. El bucle se activará inmediatamente y su posición se indicará como un área sombreada en la vista general de la forma de onda y la pista.

Para desactivar un bucle, pulse la perilla **Auto Loop**.

Para desplazar el bucle, mantenga pulsado **Shift** y gire la perilla **Auto Loop** mientras el bucle está activado.

Para duplicar o dividir a la mitad la longitud de un bucle, gire la perilla **Auto Loop** mientras el bucle está activado.

Para saltar los beats a través de una pista, pulse uno de los botones **Beat Jump**. Cada vez que lo pulse avanzará por la pista una distancia igual a la de un bucle automático, la cual puede establecer girando la perilla **Auto Loop**.

Sincronización y ajuste de tono

Para activar la sincronización, pulse **Sync** en la unidad que desea que controle los BPM, la cual se convierte en la unidad "maestra". Una vez que se activa la sincronización en esa unidad, pulse **Sync** en las unidades adicionales. El tiempo de cada unidad se sincronizará inmediatamente para coincidir con el tiempo de la unidad maestra.

El icono de estado de sincronización en la pantalla indicará el estado actual:

- **Sync Off**: Sincronización apagada.
- **Tempo Sync**: Solo el tempo está sincronizado (el BPM igualará el de la unidad maestra).
- **Bar/Beat Sync**: Se sincronizará el tempo y las barras/beat de la pista se igualará automáticamente con los de la pista de la unidad maestra, en función del ajuste de **Sync Mode**.

Para desactivar la sincronización en una unidad **SC6000 PRIME**, pulse **Shift+Sync**.

Para establecer otra unidad SC6000 PRIME como la maestra, pulse **Master**. Todas las unidades SC6000 PRIME conectadas con la sincronización activada usarán el tempo de esta unidad.

Para ajustar el tono de la pista, mueva el **fader de tono**. Sólo podrá hacer esto cuando la bandeja no esté sincronizada.

Importante: Si se activa la sincronización, al mover el fader de tono en la unidad SC6000 PRIME “maestra” se modificarán las velocidades de todas las unidades sincronizadas, mientras que mover el fader de tono en las otras unidades no hará nada.

Para ajustar el tono de la pista momentáneamente, mantenga pulsado uno de los botones **Pitch Bend** -/+.

Para ajustar el rango del fader de tono, mantenga pulsado **Shift** y pulse uno de los botones **Pitch Bend** -/+ para seleccionar **±4%, 8%, 10%, 20%, 50%, o 100%**.

Para restablecer el tono de la pista en **0%**, pulse **Shift+Key Lock/Pitch Reset**. El tono de la pista regresará a su tono original (0%) independientemente de la posición del fader de tono.

Para ajustar la nota musical de la pista, toque la nota en la **pantalla táctil** para abrir el **menú de cambio de nota**.

Modos de pad

Los 8 pads tienen diferentes funciones en cada modo de pad. Los botones **Parameter** (parámetro) ◀/▶ harán ajustes específicos a cada modo de pad.

Para entrar a cada modo de pad, pulse el botón correspondiente: **Hot Cue, Loop, Roll o Slicer**.

Modo de cue rápido



En el modo de cue rápido, puede usar cada pad para saltar al punto de cue rápido asignado.

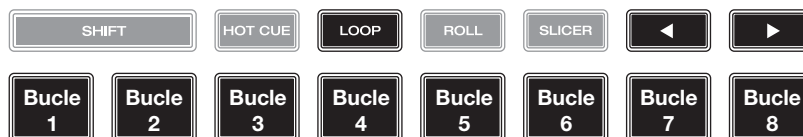
Consejo: Puede usar el software Engine PRIME para establecer, nombrar y asignar colores a sus puntos de cue rápidos. Los nombres y colores aparecerán en la pantalla como referencia.

Para asignar un cue rápido a un pad, pulse un pad con iluminación tenue en la posición de la pista deseada.

Para saltar a un punto de cue rápido, pulse el pad correspondiente.

Para quitar un punto de cue rápido de un pad, pulse **Shift** y luego el pad deseado. El pad se apagará cuando no haya ningún punto de cue rápido asignado a él.

Modos de bucle



En el modo de bucle manual, puede usar cada pad para activar un bucle asignado. Al pulsar Loop por primera vez se ingresará siempre al modo de bucle manual.

Consejo: Puede usar el software Engine PRIME para establecer y nombrar sus bucles. Los nombres aparecerán en la pantalla como referencia.

Para asignar un bucle a un pad y activarlo, pulse un pad con iluminación tenue para crear un punto de entrada de bucle en la ubicación actual y luego púselo nuevamente para crear un punto de salida de bucle en otra posición. También puede asignar un bucle automático a un pad pulsando un pad con iluminación tenue estando dentro del bucle automático. El bucle se activará inmediatamente y el pad se iluminará.

Para activar un bucle, pulse el pad correspondiente. Una vez creado un bucle, puede volver a ejecutarlo pulsando nuevamente el pad correspondiente, en función del ajuste de **Saved Loop Behavior**.

Para eliminar un bucle, pulse **Shift** y el pad deseado.

En el modo de bucle automático, puede usar cada pad para crear y activar un bucle automático. Al pulsar Loop estando en modo de bucle manual se ingresará al modo de bucle automático.

Para activar un bucle automático, pulse un pad. La pantalla mostrará la longitud del bucle automático de cada pad.

Para desactivar un bucle automático, pulse el pad nuevamente.

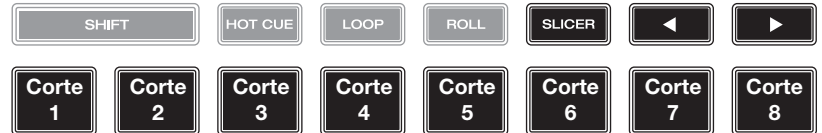
Modo de redoble



En el modo de redoble, puede mantener pulsado cada padre para disparar “redoble con regreso” de una duración determinada mientras la línea de tiempo de la pista continua (la mitad inferior de la forma de onda en la pantalla seguirá moviéndose hacia adelante). Cuando suelte el pad, se reanuda la reproducción normal de la pista desde donde habría estado si no hubiera hecho nada (es decir, como si la pista hubiera estado reproduciéndose hacia adelante todo el tiempo).

Para disparar un redoble, pulse el pad correspondiente. Los pads con bucles con retorno en base de tresillo se iluminan de color violeta.

Modo cortador



En el modo cortador (la primera vez que se pulsa), los 8 partes representan 8 beats secuenciales—“cortes”—en la grilla de beats. El corte actualmente en reproducción se representa mediante el pad actualmente iluminado; la luz “recorre los pads” a medida que progresa a lo largo de la frase de ocho cortes. Puede pulsar un pad para reproducir ese corte. Cuando suelte el pad, se reanuda la reproducción normal de la pista desde donde habría estado si nunca lo hubiera presionado (es decir, como si la pista hubiera estado reproduciéndose en avance todo el tiempo).

Para reproducir un corte, pulse el pad correspondiente.

Utilice los **botones de parámetro** para modificar la longitud de las repeticiones.

En el modo de bucle cortador (la segunda vez que se pulsa), se activa automáticamente un bucle de 8 beats. El pad actualmente iluminado representa el corte que se está reproduciendo en ese momento; la luz “recorre los pads” a medida que avanza a lo largo de cada una de las frases de ocho cortes, la cual se repetirá (esta es la diferencia entre este modo y el modo cortador). Puede pulsar un pad para reproducir ese corte. Cuando suelta el pad, se reanuda la reproducción normal de la pista desde donde habría estado dentro del bucle si nunca lo hubiera presionado (es decir, como si la pista hubiera estado reproduciéndose en avance todo el tiempo).

Configuración

Importante: Todos los elementos en la pantalla Accesos directos también están en Preferencias. Si modifica un ajuste en una pantalla, también se modificará en la otra.

Accesos directos

Para abrir la pantalla **Accesos directos**, pulse **Shortcuts**.

Para cerrar la pantalla de **accesos directos**, toque la **X** que se encuentra en la esquina superior derecha o pulse **Shortcuts** una vez más.

En la pantalla **Accesos directos**, toque una opción para seleccionarla:

- **Layer Color:** Este ajuste determina el color del anillo de luz que rodea el plato para cada capa. Toque **A** o **B** en el centro para seleccionar la capa y luego toque un color para seleccionarlo. El anillo de luz cambiará de color inmediatamente. Toque la **X** para volver a la pantalla anterior.
- **Cue/Loop Quantization:** Este ajuste determina el grado de cuantización para las características basadas en el tiempo. Seleccione **1/8 beats**, **1/4 beats**, **1/2 beats**, **1 beat** so **4 beats**.
- **Sync Mode:** Este ajuste determina el grado de sincronización que se aplica cuando pulsa el botón Sync en el SC6000 PRIME:
 - **Bar:** Se sincronizará el tempo y las barras de la pista se igualarán automáticamente con las de la pista de la unidad maestra (se alinearán los beats descendentes o contratiempos de cada barra).
 - **Beat:** Se sincronizará el tempo y el beat de la pista se igualará automáticamente con el de la pista de la unidad maestra.
 - **Tempo:** Solo el tempo estará sincronizado (el BPM igualará el de la bandeja maestra).
- **Screen Brightness:** Este ajuste determina el brillo de la **pantalla táctil: Low, Mid, High o Max.**
- **Player #:** Este ajuste determina el número de este reproductor. Al seleccionar un dispositivo fuente a explorar, este número se muestra junto al nombre del dispositivo en la pantalla.

Preferencias

Para abrir la pantalla **Preferencias**, mantenga pulsado **View/Preferences/Utility** y luego toque la pestaña **Preferences**.

Para cerrar la pantalla de **preferencias**, toque la **X** que se encuentra en la esquina superior derecha o pulse **View/Preferences/Utility** una vez más.

En la pantalla **Preferencias** deslice su dedo hacia arriba o hacia abajo para recorrer las opciones y toque una opción para seleccionarla:

Playback

- **Track Start Position:** Este ajuste determina el punto inicial de una pista después de que se carga. Seleccione el comienzo real del archivo (**Track Start**) o el punto inicial detectado automáticamente de una señal de audio (**Cue Position**).
- **Default Speed Range:** Este ajuste determina el rango del **fader de tono**. Seleccione **±4%**, **8%**, **10%**, **20%** o **50%**.
- **Sync Mode:** Este ajuste determina el grado de sincronización que se aplica cuando pulsa el botón Sync en el SC6000 PRIME:
 - **Bar:** Se sincronizará el tempo y las barras de la pista se igualarán automáticamente con las de la pista de la unidad maestra (se alinearán los beats descendentes o contratiempos de cada barra).
 - **Beat:** Se sincronizará el tempo y el beat de la pista se igualará automáticamente con el de la pista de la unidad maestra.
 - **Tempo:** Solo el tempo estará sincronizado (los BPM igualará el de la bandeja maestra).
- **Sync Button Action:** Este ajuste determina el comportamiento que tendrá el botón **Sync** al ser pulsado.
 - **Toggle:** Este modo le permite conmutar entre el encendido y el apagado de la sincronización sin tener que mantener pulsado **Shift**.
 - **Shift Disable:** Este modo requiere que se mantenga pulsado **Shift** para poder desactivar la sincronización.
- **Pitch Control Type:** Este ajuste determina la función primaria de los botones de inflexión de tono. Seleccione **Pitch Bend** para mantener la función primaria como una reducción o aumento momentáneo del tono o seleccione **Range** para configurar la función primaria como un ajuste del rango del fader de tono. La función que no se configure como primaria seguirá estando disponible al pulsar **Shift** y utilizando los botones **Pitch Bend**.

Cues/Loops

- **Cue/Loop Quantization:** Este ajuste determina el grado de cuantización para las características basadas en el tiempo: puntos de cue rápido, bucles y redobles con regreso. Seleccione **1/8 beats**, **1/4 beats**, **1/2 beats**, **1 beat** so **4 beats**.
- **Paused Hot Cue Behavior** (Comportamiento de cue rápido pausado): Este ajuste determina la manera en la que los pads reproducirán sus puntos de cue rápido. Cuando se lo ajusta a **Momentary** (momentáneo), la reproducción comenzará desde un punto de cue rápido cuando mantenga pulsado su pad—suelte el pad para regresar al punto de cue rápido. Cuando se lo ajuste a **Trigger** (disparador), la reproducción comenzará desde un punto de cue rápido (y continuará) cuando pulse suelte su pad.
- **Default Loop Size** (Tamaño predeterminado de bucle): Este ajuste determina el valor predeterminado de un bucle automático cuando carga una nueva pista en la bandeja: **1**, **2**, **4**, **8** o **16 beats**.
- **Smart Loops:** Este ajuste determina si un bucle manual se expandirá o reducirá automáticamente a una longitud convencional (es decir, 2 beats, 4 beats, 8 beats, etc.) cuando lo ajuste. Seleccione **On** u **Off**. Este ajuste funciona independientemente de su ajuste de cuantización.
- **Move Cue To Loop In:** Este ajuste determina si el **Cue Point** (punto de cue) inicial se moverá automáticamente hacia el inicio de un bucle (**On**) o permanecerá en su punto actual (**Off**).
- **Saved Loop Behavior:** Este ajuste determina la acción de los bucles una vez guardados. Cuando se lo ajusta a **Reloop**, al pulsar un pad con un bucle guardado se comenzará a reproducirlo nuevamente. Cuando se lo ajusta a **Disable**, al pulsar un pad con un bucle guardado, este se apagará.

Display

- **Track Title:** Este ajuste determina si los títulos de las pistas se muestran como el **Filename** (nombre de archivo) de la pista o como sus etiquetas de **Metadata** embebidas.
- **Time Format:** Este ajuste determina si el ajuste de tono afecta la manera en que se muestra el tiempo de la pista. Cuando se lo ajusta a **Static**, el tiempo de la pista corresponde a las posiciones en la pista como de costumbre; el ajuste del tono no lo afecta. Cuando se lo ajusta a **Dynamic**, el tiempo de la pista se corregirá automáticamente para reflejar los cambios en el tono. Por ejemplo, si ajusta del fader de tono al **-8%**, el tiempo de la pista aumentará de manera que sea un 8% más largo.
- **Track End Warning:** Este ajuste determina cuánto tiempo antes del final de la pista el SC6000 le advertirá que se está acercando al final. Si la pista se encuentra en la capa actualmente seleccionada, el anillo del **plato** y la **vista general de la pista** parpadearán. Si la pista se encuentra en la capa opuesta, el botón **Layer** parpadeará.
- **On Air Mode:** Este ajuste modifica la iluminación del anillo del plato cuando el fader de canal del mezclador se encuentre hacia arriba o hacia abajo, indicando que la bandeja está activa o "en vivo". Cuando este ajuste se encuentra **activado**, mover el fader de canal hacia arriba cambiará el color del plato del **blanco** al color seleccionado. Cuando este ajuste se encuentra **desactivado**, se mostrará siempre el color seleccionado por el usuario independientemente de la posición del fader de canal.

Nota: Esto requiere una conexión con un mezclador Denon DJ compatible a través de Ethernet.

Safety

- **Lock Playing Deck:** Este ajuste determina si será o no capaz de cargar una pista en la bandeja mientras esté reproduciendo. Seleccione **On** u **Off**. Cuando este ajuste está activado, la bandeja se debe poner en pausa para poder cargar una pista en ella.
- **Needle Lock:** Este ajuste determina si podrá o no tocar la **vista general de la pista** en la pantalla para saltar hasta esa posición de la pista durante la reproducción. Seleccione **On** u **Off**. Puede usar la vista general de la pista mientras la reproducción está detenida independientemente de este ajuste. Como alternativa, asegúrese de que el plato se encuentre en modo de vinilo (pulse **Vinyl** de manera que quede encendido), toque la parte superior del plato y toque la ubicación deseada en la vista general de la forma de onda.
- **Pad Lock:** Este ajuste determina si los botones de los pads y del modo de pad (**Hot Cue**, **Loop**, **Roll**, **Slicer**) están activados o desactivados. Seleccione **On** u **Off**.

Library

- **Key Notation:** Este ajuste determina la manera en la que se expresa la nota de la pista en la pantalla. Puede ver la nota como todos **Sharps**, todos **Flats**, **Open Key** o **Camelot**.
- **Key Filter:** Este ajuste determina si el filtro **Key** muestra pistas en la misma nota únicamente (**Match**) o pistas en notas compatibles (**Compatible**).
- **BPM Range** (Rango de BPM): Este ajuste determina los mayores y menores valores posibles de BPM que se utilizarán cuando al analizar las pistas: **58–115**, **68–135**, **78–155**, **88–175** o **98–195 BPM**.
- **BPM Filter Tolerance:** Este ajuste determina la "tolerancia" del filtro **BPM** de manera que pueda incluir pistas con tempos que se encuentren dentro de un pequeño rango del tempo seleccionado. Seleccione **±0**, **1**, **2**, **3**, **5**, **10** o **15**.
- **Collection Browse Behavior:** Este ajuste determina el comportamiento de navegación al utilizar la Biblioteca. Cuando se lo ajusta a **Select**, al tocar una lista de reproducción, caja de discos o carpeta, esta quedará seleccionada y se deberá tocarla dos veces para abrirla. Cuando se ajusta a **Open**, al tocar una lista de reproducción, caja de discos o carpeta, esta se abrirá.

Deck Colors

- **Deck Colors:** Estos ajustes determinan los colores del anillo de luz que rodea el plato para cada capa en cada reproductor. Toque la flecha junto a o **B** para seleccionar la capa y luego toque un color para seleccionarlo. El anillo de luz cambiará de color inmediatamente. Toque la **X** para volver a la pantalla anterior.

Utilidades

Para abrir la pantalla **Utilidades**, mantenga pulsado **View/Preferences/Utility** y luego toque la pestaña **Utility**.

Para cerrar la pantalla **Utilidades**, toque la **X** en la esquina superior derecha o pulse **View/Preferences/Utility** una vez más.

En la pantalla **Utilidades** deslice su dedo hacia arriba o hacia abajo para recorrer las opciones y toque una opción para seleccionarla:

Device Settings

- **Player #:** Este ajuste determina el número de este reproductor. Al seleccionar un dispositivo fuente a explorar, este número se muestra junto al nombre del dispositivo en la pantalla.
- **Layer B (Capa B):** Este ajuste determina si este SC6000 PRIME utilizará ambas capas de bandeja (**On**) o sólo una (**Off**).
- **Wi-Fi:** Este ajuste determina si el Wi-Fi se encuentra activado (**On**) o desactivado (**Off**).
- **Wi-Fi Settings:** Utilice esta opción para abrir el menú de conexión Wi-Fi y conectarse a una red inalámbrica.
- **Nudge Sensitivity:** Este ajuste determina el nivel de sensibilidad al mover los platos: **Low, Mid, High o Max**.
- **Track Preview:** Cuando está activado, **Track Preview** mostrará un botón de reproducción para cada pista en la biblioteca, permitiendo que las pistas se escuchen en el cue sin cargar una pista en la bandeja. Seleccione **On** (Activado) o **Off** (Desactivado).
- **Screen Brightness:** Este ajuste determina el brillo de la **pantalla táctil: Low, Mid, High o Max**.

Streaming Services

Utilice estas opciones para habilitar o deshabilitar conexiones con servicios de streaming asociados. Cuando se lo ajusta a **On**, el servicio seleccionado estará disponible dentro de la opción **Source**.

Cloud Services

Utilice esta opción para recuperar la base de datos de su biblioteca Engine desde un servicio de almacenamiento en la nube. Debe primero utilizar el software Engine PRIME para sincronizar su base de datos. Luego, cuando esta opción se ajusta a **On**, el servicio seleccionado estará disponible dentro de la opción **Source** y podrá acceder a estos archivos a través de una conexión a internet establecida.

Nota: Le recomendamos utilizar solamente cables USB 3.0 o tarjetas SD de clase U1 o U3 de marcas conocidas y buena calidad como unidades de almacenamiento fuente, especialmente cuando están habilitados los servicios en la nube.

Device Info

- **Model:** El nombre del producto.
- **Firmware Version:** La versión actual del sistema operativo Engine de la unidad. Toque **Check For Updates** para averiguar si existe una actualización de firmware disponible para su SC6000 PRIME (requiere una conexión a Internet).
- **SC6000 Controller:** La versión actual del firmware del controlador de la unidad.
- **SC6000 Display:** La versión actual del firmware de la pantalla de la unidad.
- **Reset all settings to default:** Pulse **Reset** para restaurar la configuración predeterminada de fábrica de su dispositivo.

Update

- **Update Firmware:** Utiliza esta opción para reiniciar el SC6000 PRIME en modo de actualización, el cual le permite actualizar su firmware. Siga las instrucciones de actualización del firmware que se incluyen junto con el paquete de actualización de firmware que descargó.

Legal Info

- **Información legal:** Utilice esta opción para visualizar el Denon DJ EULA y la lista de patentes.

Guide d'utilisation (Français)

Présentation

Merci d'avoir fait l'acquisition du SC6000 PRIME. Chez Denon DJ, nous savons à quel point la musique est importante pour vous. C'est pourquoi nous concevons nos produits avec une seule chose en tête — faire de votre performance la meilleure qui soit.

Caractéristiques :

- Écran tactile multipoint HD de 25,6 cm
- Sortie audio numérique sans compromis de 24 bits/96 kHz
- Connectivité Internet Wi-Fi et filaire intégrée pour la diffusion de musique
- Lecture superposée avec sorties audio analogiques et numériques individuelles
- Molette à tension réglable de 21,6 cm et écran couleur HD
- Prise en charge de formats audio non comprimés (FLAC, ALAC, WAV et AIFF)
- Analyse intégrée des fichiers musicaux et gestion des collections
- Les meilleurs algorithmes d'étirement temporel, de changement et de synchronisation de la tonalité de leurs catégories
- Les entrées multimédias comprennent : (3) USB, SD et logement d'unité de lecture SATA
- Touches et pads multifonctions réactifs en caoutchouc
- Sortie LAN pour relier des lecteurs et commander des systèmes d'éclairage et vidéo professionnels pour DJ
- Connecteur CEI verrouillable pour câble d'alimentation

Contenu de la boîte

SC6000 PRIME

2 câbles audio RCA (paires stéréo)

Câble USB

Câble de prolongation USB

Câble réseau

Câble d'alimentation

Chiffon de nettoyage

Carte de téléchargement de logiciel

Guide d'utilisation

Consignes de sécurité et informations concernant la garantie

Assistance

Pour les toutes dernières informations concernant la documentation, les spécifications techniques, la configuration requise, la compatibilité et l'enregistrement du produit, veuillez visiter denondj.com.

Pour de l'assistance supplémentaire, veuillez visiter denondj.com/support.

Enregistrement du produit

L'achat du produit peut inclure de logiciels exclusifs et/ou des promotions accessibles uniquement par l'enregistrement de votre produit sur le site Web de Denon DJ.

Pour vérifier votre admissibilité et accéder au contenu disponible, veuillez enregistrer votre produit en suivant les instructions ci-dessous :

1. Visitez denondj.com et cliquez sur **Account**.
2. Cliquez sur **Sign In** pour accéder à votre compte existant, ou créez un nouveau compte.
3. Une fois connecté, cliquez sur **Register New Product**.
4. Entrez le numéro de série du produit dans la case puis cliquez sur **Check Serial**.
5. Remplissez le formulaire puis cliquez sur **Register Your Product**.
6. Une fois l'enregistrement réussi, tous les téléchargements de logiciels, contenus exclusifs et offres promotionnelles applicables figureront sur votre compte.

Installation

Important : À l'occasion, il se peut que nous procédions à des mises à jour du progiciel du SC6000 PRIME afin d'ajouter des fonctionnalités et d'améliorer sa performance. Veuillez visiter denondj.com/downloads afin de vérifier s'il y a des mises à jour du progiciel disponibles, surtout si vous mettez à jour votre logiciel (les mises à jour du progiciel peuvent permettre l'utilisation des nouvelles fonctionnalités logicielles).

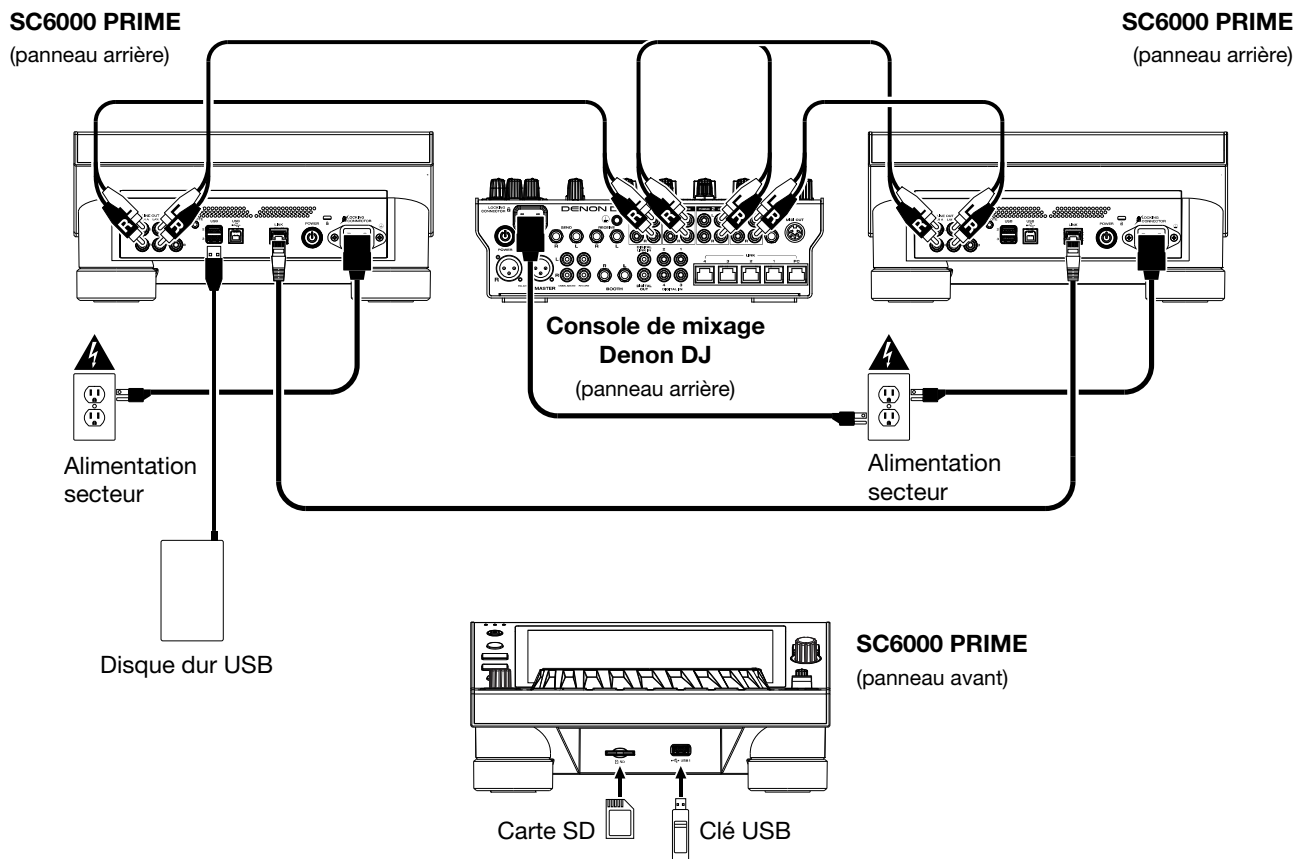
1. Visitez denondj.com/downloads et recherchez la section **DJ Software** pour télécharger le logiciel Engine PRIME.
2. Double-cliquez sur le fichier d'installation téléchargé **.exe** (Windows®) ou **.dmg** (macOS®), puis suivez les instructions à l'écran pour installer Engine PRIME.
3. Veillez à ce que tous les appareils soient **hors tension** et que tous les niveaux soient au réglage au **minimum**.
4. Branchez les sorties audio du SC6000 PRIME (**Layer A/B** ou **Digital Outputs A/B**) aux entrées de la console de mixage.
5. Branchez le port **Link** du SC6000 PRIME selon l'un des schémas de connexion suivants.
6. Branchez tous les appareils de sortie (platines, casque d'écoute, amplificateurs de puissance, enceintes, etc.) aux sorties de la console de mixage.
7. Branchez tous les appareils à l'alimentation secteur.
 - Lors de la mise en marche, commencez par allumer (1) le SC6000 PRIME et les autres sources d'entrée, (2) la console de mixage, puis (3) les appareils de sortie.
 - Lors de la mise hors tension, commencez par fermer (1) les appareils de sortie, (2) la console de mixage, puis (3) le SC6000 PRIME et les autres sources d'entrée.
8. **Pour utiliser Engine OS** (lecture autonome) : Insérez une clé USB ou une carte SD (contenant une bibliothèque musicale configurée pour Engine) dans l'un des **ports USB** ou **lecteur de carte SD** du SC6000 PRIME.

Schémas de connexion

Les articles qui ne figurent pas dans la section [Présentation > Contenu de la boîte](#) sont vendus séparément.

Exemple 1 :

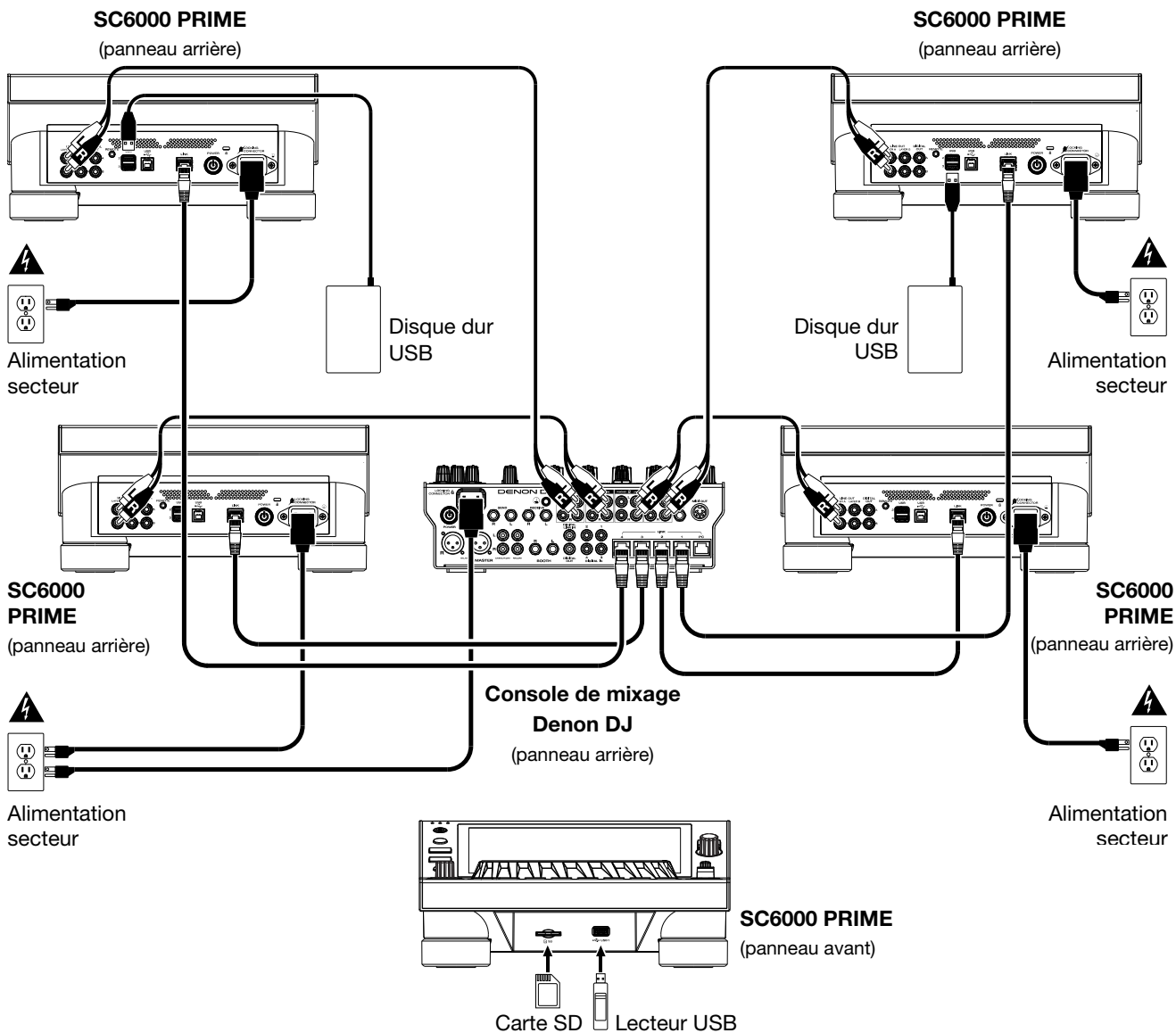
Cet exemple montre 2 SC6000 PRIME reliés directement par les ports **Link**.



Exemple 2 :

Cet exemple montre 4 SC6000 PRIME reliés aux **ports Link (1-4)** d'une console de mixage Denon DJ. Les 4 appareils sont branchés en réseau par le biais de la console de mixage.

Remarque : Si vous utilisez une console de mixage différente avec cette configuration, branchez les ports **Link** des 4 SC6000 PRIME à un concentrateur Ethernet au lieu de la console de mixage.



Mise en garde contre les radiofréquences : Ceci est un appareil mobile. Une distance d'au moins 20 centimètres doit être maintenue entre les éléments rayonnants de l'émetteur et le corps de l'utilisateur ou les personnes se trouvant à proximité.

Appareils et analyse des fichiers

Le SC6000 PRIME peut faire la lecture des fichiers audio à partir de lecteur USB, de carte SD ou d'autres SC6000 PRIME auxquels il est branché. Assurez-vous que vous utilisez uniquement les systèmes de fichiers pris en charge (pour les lecteurs USB ou des cartes SD) et les formats de fichiers (pour les fichiers audio) énumérés ci-dessous.

Systèmes de fichiers pris en charge :	exFAT, FAT32	
Formats de fichiers pris en charge :	AAC/M4A	MP3 (32-320 kb/s)
	AIF/AIFF (44,1-192 kHz, 16-32 bits)	MP4
	ALAC	Ogg Vorbis
	FLAC	WAV (44,1-192 kHz, 16-32 bits)

Bien que le SC6000 PRIME peut lire des pistes qui n'ont pas encore été analysées, l'analyse lui permet de fonctionner plus efficacement. Vous pouvez procéder à l'analyse de fichiers selon l'une des deux façons suivantes :

- **Sur le SC6000 PRIME, chargez la piste :** Lorsque vous chargez une piste pour la lecture, le SC6000 PRIME procède automatiquement à son analyse (si elle n'a pas déjà été analysée). Cela peut prendre quelque temps, selon la longueur de la piste. Vous pouvez lancer la lecture de la piste depuis le début **immédiatement**, mais vous devrez attendre la fin de l'analyse.
- **À partir du logiciel Engine PRIME :** Le logiciel fourni Engine PRIME peut préanalyser votre bibliothèque musicale afin de pouvoir l'utiliser avec le SC6000 PRIME. Vous pouvez également l'utiliser pour organiser votre bibliothèque, gérer vos préférences matérielles pour le SC6000 PRIME, etc. (veuillez consulter la section [Fonctionnement](#) afin d'en savoir plus).

Visitez denondj.com/downloads et recherchez la section **DJ Software** pour télécharger le logiciel Engine PRIME.

Pour éjecter un lecteur USB ou une carte SD :

1. Veillez à ce qu'aucune de ses pistes ne soit en cours de lecture sur aucun des SC6000 PRIME connectés.
2. Appuyez sur la touche **Media Eject**. Une liste des appareils connectés s'affichera sur l'**Écran tactile**.
3. Appuyez sur l'icône d'éjection sur l'écran tactile à côté du nom de votre appareil. Si une piste sur l'appareil est en cours de lecture, le système vous demandera si vous souhaitez continuer, dans l'affirmative, la lecture de la piste s'arrêtera. Tapez sur **Cancel** pour annuler l'éjection de l'appareil, ou sur **OK** pour l'éjecter.

Pour éjecter d'autres appareils, répétez l'étape 3.

Pour revenir à l'écran précédent, appuyez de nouveau sur la touche **Media Eject**, ou tapez sur le **X** dans le coin supérieur droit.

Réseau

Vous pouvez mettre en réseau plusieurs SC6000 PRIME, leur permettant de partager facilement leur base de données de piste, des informations sur le minutage et les BPM, et d'autres données par le biais de cette connexion.

Cette fonctionnalité offre beaucoup d'avantages lors de prestations. Par exemple, si vous utilisez quatre SC6000 PRIME, vous pouvez utiliser l'un d'eux pour parcourir **toutes** les pistes sur **tous** les appareils et périphériques (lecteurs USB ou cartes SD) connectés à l'un de ces SC6000 PRIME. Vous pouvez ensuite faire la lecture de l'une de ces pistes immédiatement sans avoir à la déplacer d'un appareil à l'autre.

Pour mettre en réseau des SC6000 PRIME, utilisez les câbles de réseau inclus et faire l'une des actions suivantes :

- Si vous utilisez seulement deux SC6000 PRIME, reliez leurs ports **Link**.
- Si vous utilisez deux SC6000 PRIME ou plus, reliez leurs ports **Link** au **port Link (1-4)** d'une console de mixage Denon DJ.
- Si vous utilisez deux SC6000 PRIME ou plus, reliez leurs ports **Link** au port Ethernet d'un routeur.

Le témoin réseau (**Link**) s'allume lorsque le SC6000 PRIME est correctement connecté à un réseau.

Configuration

Le SC6000 PRIME dispose de plusieurs paramètres qui vous aident à personnaliser la lecture et la façon dont les informations sont affichées.

Pour ouvrir un menu rapide des paramètres les plus utilisés, appuyez sur la touche **Shortcuts**.

Pour afficher la liste complète des préférences, maintenez la touche **View/Preferences/Utility** enfoncée.

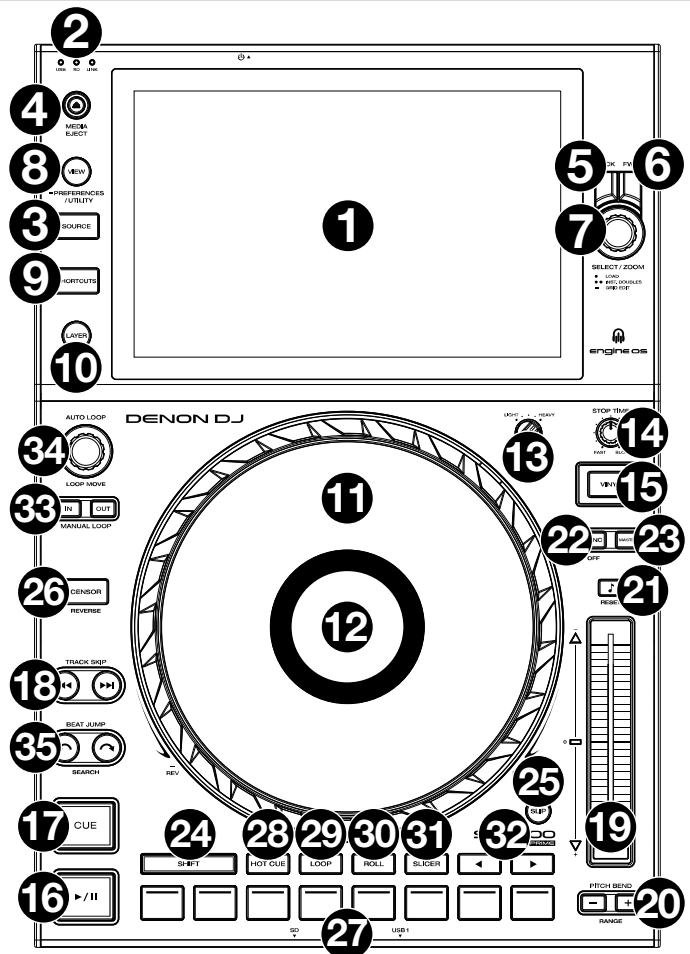
Veuillez consulter la section [Fonctionnement > Configuration](#) afin d'en savoir plus sur ces réglages.

Caractéristiques

Panneau supérieur

Sélection du média et navigation

- Écran tactile** : Cet écran tactile multipoint couleur affiche les informations pertinentes aux opérations en cours du SC6000 PRIME. Touchez l'écran (et utilisez les commandes matérielles) pour contrôler l'interface. Veuillez consulter la section [Fonctionnement > Présentation de l'écran tactile](#) afin d'en savoir plus.
- Sélection multimédia** : Ces témoins s'allument afin d'indiquer le type de médias connecté : **USB**, **SD** ou **Link** (réseau).
- Source** : Cette touche permet d'afficher sur l'écran tactile la liste des appareils disponibles connectés au SC6000 PRIME (autres SC6000 PRIME connectés par réseau, lecteur USB, carte SD, Wi-Fi, etc.). Tapez sur un appareil dans la liste pour le sélectionner.
- Media Eject** : Cette touche permet d'afficher sur l'écran tactile la liste des appareils connectés à ce SC6000 PRIME (c.-à-d. lecteurs USB connectés aux ports USB ou carte SD insérée dans le lecteur de cartes SD).
Pour éjecter un appareil, assurez-vous qu'aucune de ses pistes n'est en cours de lecture, puis tapez sur l'icône d'éjection sur l'écran tactile et suivez les instructions.
- Back** : Cette touche permet de revenir à la fenêtre précédente. En mode d'affichage Performance View, cette touche permet d'accéder au mode d'affichage Browse View.
- Forward** : Cette touche permet de passer à la fenêtre suivante. En mode d'affichage Performance View, cette touche permet d'accéder au mode d'affichage Browse View.
- Select/Zoom** : En mode d'affichage Browse View, ce bouton permet de parcourir une liste, de sélectionner un item ou de charger une piste sur le niveau sélectionné. Appuyer deux fois sur le bouton permet de charger une piste sur les deux niveaux (« doubles instantanés »).
 En mode d'affichage Performance View, tourner ce bouton permet d'effectuer un zoom avant et arrière sur la forme d'onde de la piste. Maintenir le bouton enfoncé permet d'ajuster la grille des battements. Veuillez consulter la section [Fonctionnement > Mode d'affichage Performance View](#) afin d'en savoir plus sur le réglage de la grille des battements.
- View/Preferences/Utility** : Cette touche permet de basculer entre les modes d'affichage de la bibliothèque et de la piste. Maintenir cette touche enfoncée permet d'accéder au menu Preferences et Utility.
 Maintenez la touche **Shift** enfoncée, puis appuyez sur cette touche pour basculer entre l'affichage des formes d'onde à un ou à deux niveaux sur l'**écran tactile**. Vous pouvez également maintenir la touche **Shift** enfoncée puis maintenir cette touche enfoncée afin d'inverser la position des modules.
- Shortcuts** : Cette touche permet d'accéder à un court menu des options de lecture et d'affichage.



Commandes de lecture

- Layer** : Cette touche permet de basculer le niveau que commande le SC6000 PRIME.
- Plateau** : Cette molette capacitive tactile permet de commander le curseur de lecture lorsque la molette est touchée et déplacée. Lorsque la touche **Vinyl** est activée, utilisez le **plateau** pour saisir et déplacer l'audio et créer un effet de « scratch » sur la piste, comme avec un disque vinyle. Lorsque la touche **Vinyl** est désactivée (ou si vous touchez seulement le côté du **plateau**), déplacez le **plateau** pour modifier temporairement la vitesse de la piste.
- Écran du plateau** : L'écran affiche des informations pertinentes aux opérations, y compris la position du curseur de lecture, la durée de la boucle automatique et des illustrations de l'album. Veuillez consulter la section [Fonctionnement > Présentation de l'écran du plateau](#) afin d'en savoir plus.
- Wheel Adjust** : Ce bouton permet de définir la résistance du plateau. Ce bouton applique un frein au plateau afin de l'empêcher de dériver involontairement en raison de vibrations dues aux basses fréquences, aux surfaces instables, etc.
- Stop Time** : Ce bouton permet de contrôler la vitesse à laquelle la piste s'arrête complètement (« temps de décélération ») lorsque vous interrompez la lecture à l'aide de la touche pour **lancer/interrompre la lecture** (▶/||).

15. **Vinyl** : Cette touche permet d'activer ou de désactiver le mode vinyle du plateau. Lorsqu'activée, vous pouvez utiliser le plateau pour saisir et déplacer l'audio et créer un effet de « scratch » sur la piste, comme avec un vinyle.
16. **Lancer/interrompre la lecture** (▶/||) : Cette touche permet d'interrompre ou de relancer la lecture.
Maintenir la touche **Shift** enfoncée puis appuyer sur cette touche permet d'ajouter un effet de « bégaiement » à partir du point de repère initial.
17. **Cue** : Durant la lecture, appuyer sur cette touche permet de retourner au point de repère initial et de faire un arrêt de lecture. Pour déplacer le point de repère original, vérifiez que la lecture de la piste est interrompue, déplacez ensuite le plateau afin de positionner le curseur de lecture à l'endroit désiré puis appuyez sur cette touche. Lorsque la lecture du module est interrompue, maintenir cette touche enfoncée permet de reprendre temporairement la lecture de la piste à partir du point de repère initial. Relâcher la touche permet de retourner sur le point de repère initial et d'interrompre la lecture. Pour reprendre la lecture sans revenir au point de repère initial, maintenez cette touche enfoncée, appuyez et maintenez ensuite la touche de lecture enfoncée, puis relâchez les deux touches.
Durant la lecture, maintenir la touche **Shift** enfoncée et appuyer sur cette touche permet de retourner au point de repère initial.
18. **Track Skip** : Ces touches permettent de revenir à la piste précédente ou de passer à la piste suivante.
Lorsque la lecture d'une piste est interrompue, appuyer sur la touche **piste précédente** (touches **Track Skip**) permet de revenir au début de la piste.

Commande de synchronisation et de la hauteur tonale

19. **Curseur de hauteur tonale** : Ce curseur permet de régler la vitesse (tonalité) de la piste. Maintenir la touche **Shift** enfoncée puis appuyer sur une des touches **Pitch Bend** permet de modifier la plage du curseur de hauteur tonale.
Important : Lorsque la synchronisation est activée, déplacer le curseur de hauteur tonale sur le SC6000 PRIME « maître » permet de modifier la vitesse de tous les appareils synchronisés, alors que déplacer le curseur de hauteur tonale sur les autres SC6000 PRIME ne change rien.
20. **Pitch Bend** -/+ : Maintenir une de ces touches enfoncée permet de diminuer ou d'augmenter (respectivement) temporairement la vitesse de la piste.
Maintenir la touche **Shift** enfoncée, puis appuyer sur une de ces touches permet de régler la plage du curseur de hauteur tonale.
21. **Verrouillage tonal/réinitialisation tonale** : Cette touche permet d'activer ou de désactiver le verrouillage tonal. Lorsque le verrouillage tonal est activé, la tonalité de la piste restera la même, même si vous réglez sa vitesse.
Maintenir la touche **Shift** enfoncée et appuyer sur cette touche permet de réinitialiser la tonalité de la piste, indépendamment de la position du **curseur de hauteur tonale** ou des modifications effectuées via le menu de modification de la hauteur tonale.
22. **Sync/Sync Off** : Cette touche permet d'activer la fonction de synchronisation.
Pour synchroniser deux SC6000 PRIME ou plus, appuyez sur la touche **Sync** sur l'unité que vous souhaitez qui commande le BPM, qui deviendra l'unité « maître ». Une fois que la fonction de synchronisation est activée sur cette unité, appuyez sur la touche **Sync** des autres unités. Le tempo de chaque unité sera immédiatement synchronisé au tempo de l'unité maître.
Pour désactiver la synchronisation, appuyez de nouveau sur la touche **Sync**, ou maintenez la touche **Shift** enfoncée et appuyez sur la touche **Sync**, selon le réglage du paramètre **Sync Button Action** dans la fenêtre **Préférences**.
23. **Master** : Appuyez sur cette touche afin de définir cette unité SC6000 PRIME comme étant celle qui commande le tempo principal. Toutes les unités SC6000 PRIME connectées dont la fonction de synchronisation a été activée utiliseront ce tempo. Si vous arrêtez le SC6000 PRIME « maître », le second SC6000 PRIME ayant joué le plus longtemps dans la configuration deviendra automatiquement le nouveau « maître » (à moins que vous le modifiez manuellement).

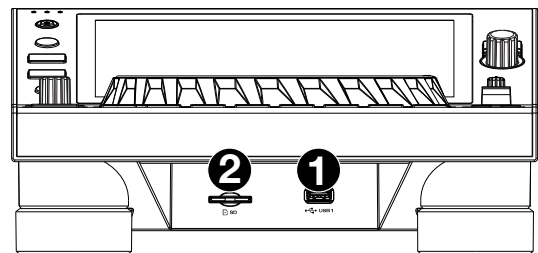
Commandes de prestation

24. **Shift** : Maintenir cette touche enfoncée permet d'accéder aux fonctions secondaires des autres commandes.
25. **Slip** : Cette touche permet d'activer et de désactiver le mode Slip. En mode Slip, vous pouvez sauter à des points de repère, utiliser le plateau, ou interrompre la piste alors que la chronologie de la piste se poursuit (la moitié inférieure de la forme d'onde sur l'écran continuera d'aller de l'avant). En d'autres mots, lorsque vous cessez l'action en cours, la piste reprend la lecture normale à partir de l'emplacement où elle serait si vous n'aviez pas touché à l'une des commandes (c.-à-d., comme si la lecture avait suivi son cours).
26. **Censor/Reverse** : Cette touche permet d'activer ou de désactiver la fonction Censor : la lecture de la piste sera inversée, mais lorsque la touche est relâchée, la lecture normale de la piste est relancée à partir de l'emplacement où elle serait si vous n'aviez pas activé la fonction Censor (c.-à-d., comme si la lecture n'avait jamais été interrompue).
Maintenir la touche **Shift** enfoncée et appuyer sur cette touche permet de reprendre la lecture normale de la piste. Appuyer de nouveau permet de revenir au mode de lecture normal.
27. **Pads** : Ces pads ont différentes fonctions selon le mode Pad et le module sélectionné. mode d'affichage Browse View. Veuillez consulter la section **Fonctionnement > En prestation > Modes de fonctionnement des pads** pour plus d'information.
28. **Hot Cue** : Cette touche permet d'accéder au mode Hot Cue.
29. **Loop** : Cette touche permet d'accéder au mode Manual Loop. Appuyer de nouveau sur la touche permet d'accéder au mode Auto Loop.
30. **Roll** : Cette touche permet d'accéder au mode Roll.
31. **Slicer** : Appuyer une fois sur cette touche permet d'accéder au mode Slicer et appuyer une deuxième fois permet d'accéder au mode Slicer Loop.

32. **Parameter** ◀/▶ : Utilisez ces touches pour les différentes fonctions de chaque mode de fonctionnement des pads. Veuillez consulter la section [Fonctionnement > En prestation > Modes de fonctionnement des pads](#) pour plus d'information.
33. **Loop In/Loop Out** : Ces touches permettent de programmer un point d'entrée ou de sortie de boucle à l'emplacement actuel. Leur emplacement sera affecté par les réglages des fonctions **Quantize** et **Smart Loops**. Veuillez consulter la section [Fonctionnement > Configuration > Fenêtre Shortcuts](#) pour plus d'information.
34. **Auto Loop/Loop Move** : Ce bouton permet de régler la durée des boucles automatiques. La valeur sera affichée sur l'écran tactile et sur celui du plateau.
Appuyer sur cette touche permet d'activer et de désactiver une boucle automatique à partir de la position actuelle dans la piste.
Astuce : Vous pouvez assigner des boucles automatiques aux pads en mode Manual Loop. Veuillez consulter la section [Fonctionnement > En prestation > Modes de fonctionnement des pads](#) pour plus d'information.
Maintenir la touche **Shift** enfoncée et tourner ce bouton permet de déplacer la boucle active vers la gauche ou la droite.
35. **Beat Jump** : Ces touches permettent d'effectuer un saut de piste avant ou un saut de piste arrière sur la piste en cours. Le bouton **Auto Loop** permet de déterminer la distance du saut.
Maintenir la touche **Shift** enfoncée puis enfoncer une de ces touches permet d'effectuer une recherche avant ou arrière sur la piste en cours.

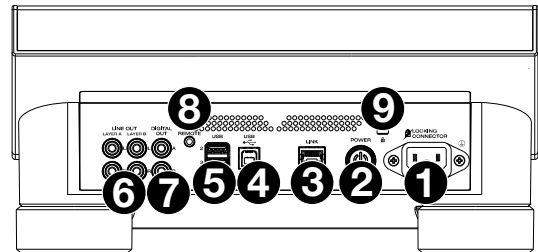
Panneau avant

1. **Port USB** : Ce port permet de brancher un lecteur USB standard. Lorsque vous affectez le sélecteur d'entrée sur lecteur USB (appuyez sur la touche **Source**), vous pouvez utiliser l'écran pour sélectionner et charger les pistes sur le lecteur USB. Il y a également deux ports USB similaires sur le panneau arrière. Vous pouvez utiliser le câble de prolongation USB fourni pour relier de plus grands ou de plus petits lecteurs USB.
2. **Lecteur de cartes SD** : Ce lecteur permet d'insérer une carte mémoire SD. Lorsque vous affectez le sélecteur d'entrée sur carte SD (appuyez sur la touche **Source**), vous pouvez utiliser l'écran pour sélectionner et charger les pistes sur la carte SD.



Panneau arrière

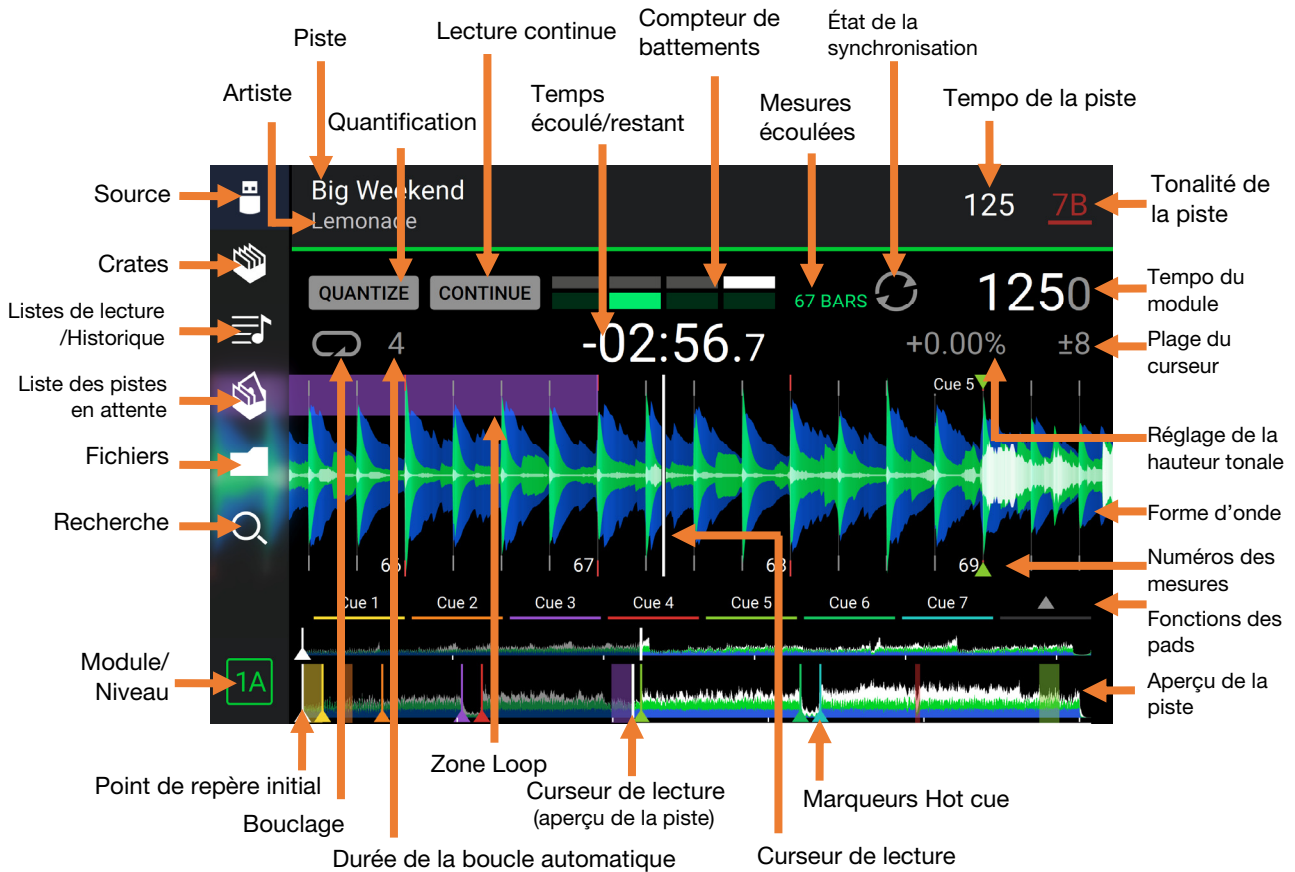
1. **Entrée d'alimentation** : Utilisez le câble d'alimentation verrouillable fourni pour brancher cette entrée à une prise secteur. Pour débrancher le câble d'alimentation, appuyez sur la languette jaune, puis retirez le câble de l'entrée. Vous pouvez également utiliser un câble d'alimentation CEI standard à la place du câble d'alimentation verrouillable fourni.
Le SC6000 PRIME dispose d'un circuit de protection qui permet d'éjecter en toute sécurité tous les supports multimédia après une perte d'alimentation imprévue. Rebranchez la source d'alimentation afin de revenir au mode de fonctionnement normal.
2. **Touche d'alimentation** : Cette touche permet de mettre le SC6000 PRIME sous et hors tension. Veuillez mettre le SC6000 PRIME sous tension uniquement **après** avoir raccordé tous les appareils d'entrée et **avant** de mettre les amplificateurs et enceintes sous tension. Veuillez mettre les amplificateurs et les enceintes hors tension **avant** de mettre le SC6000 PRIME hors tension.
Maintenir cette touche enfoncée pendant 10 secondes permet de réinitialiser le SC6000 PRIME.
3. **Port Link** : Utilisez le câble réseau fourni afin de relier ce port à un autre SC6000 PRIME ou à une console de mixage Denon DJ. Chaque SC6000 PRIME connecté peut partager leur base de données de piste, des informations sur le minutage et le BPM, et autres données par le biais de cette connexion.
4. **Port USB B** : Utilisez le câble USB fourni pour relier ce port au port USB d'un ordinateur. Cette connexion permet de transmettre et de recevoir des données MIDI depuis et vers un ordinateur.
5. **Ports USB 2/3** : Ces ports permettent de brancher des lecteurs USB standards. Lorsque vous affectez le sélecteur d'entrée sur un de ces lecteurs USB (appuyez sur la touche **Source**), vous pouvez utiliser l'écran pour sélectionner et charger les pistes sur les lecteurs USB. Il y a également un port USB similaire sur le panneau avant.
6. **Sorties Layer A/B** : Utilisez des câbles RCA standards afin de brancher ces sorties à une console de mixage. Les sorties lignes **Layer A** transmettent le signal audio de Layer A. Les sorties lignes **Layer B** transmettent le signal audio de Layer B.
7. **Sorties numériques A/B** : Utilisez des câbles coaxiaux numériques standards pour relier ces sorties 24 bits/96 kHz à des appareils et à des consoles de mixage comme la console de mixage Denon DJ X1850 PRIME.
8. **Entrée à distance** : Utilisez un câble de commande à distance standard pour brancher cette entrée à la sortie de commande à distance d'une console de mixage (le cas échéant). Lorsqu'une console de mixage compatible avec la fonction de commande à distance est connectée, déplacer le crossfader du côté qui correspond à ce SC6000 PRIME (ou augmenter le curseur pour ce canal) permet de lancer automatiquement la lecture de la piste sur le niveau sélectionné.
9. **Verrou Kensington^{MD}** : Cet emplacement permet d'utiliser un verrou Kensington pour sécuriser le SC6000 PRIME sur une table ou autre surface.



Fonctionnement

Présentation de l'écran tactile

Mode d'affichage Performance View



Balayer vers la gauche ou vers la droite sur l'aperçu de la piste permet de parcourir la piste alors que la piste est interrompue.

Remarque : Vous pouvez utiliser cette fonction durant la lecture lorsque la fonction de verrouillage de la pointe de lecture est **désactivée**. Lorsque la fonction de verrouillage de la pointe de lecture est **activée**, veillez à ce que le plateau soit en mode Vinyl (appuyez sur la touche **Vinyl** afin qu'elle s'allume), puis touchez le haut du **plateau** tout en balayant sur l'**aperçu de la piste**. Veuillez consulter la section [Configuration > Fenêtre Préférences](#) pour plus d'information sur la fonction de verrouillage de la pointe de lecture.

Écartier ou **pincer deux doigts** sur la **forme d'onde** permet d'effectuer un zoom avant ou un zoom arrière. Vous pouvez également utiliser le bouton **Select/Zoom**.

Taper sur une icône permet de la sélectionner (par exemple, les icônes pour les crates, les listes d'écoute, la liste des pistes en attente, les fichiers ou pour effectuer une recherche sur le côté gauche).

Taper un bouton permet de l'activer ou de le désactiver (par exemple, les boutons **Quantize**, **Continue** ou de **verrouillage tonal**).

Taper sur l'affichage de la durée permet de basculer entre le temps écoulé et le temps restant.

Taper sur l'icône de la note de musique permet d'afficher le menu de modification de la hauteur tonale, à partir duquel vous pouvez régler la hauteur tonale de la piste.

Maintenez la touche Shift enfoncée, puis appuyez sur la touche View pour basculer entre l'affichage des formes d'onde à un niveau et des formes d'onde à deux niveaux en mode Performance View.

Formes d'onde à deux niveaux



Vous pouvez également afficher ou masquer les commandes de la grille en mode d'affichage Performance View. La grille est automatiquement détectée et configurée lorsque la piste est analysée.

Pour afficher les commandes de la grille, maintenez le bouton **Select/Zoom** enfoncé pendant une seconde. Six boutons s'afficheront dans le bas de l'écran, et les marqueurs apparaîtront sur la forme d'onde.

Pour réinitialiser la grille, appuyez sur **Reset**.

Pour décaler les battements de la grille vers la gauche ou la droite (par incréments d'un battement), tapez sur < ou sur >, respectivement, ou tournez le bouton **Select/Zoom**.

Pour faire « glisser » la grille entière vers la gauche ou la droite, déplacez le **plateau**.

Pour réduire de moitié ou doubler le nombre de marqueurs de la grille, tapez sur /2 ou X2, respectivement.

Pour masquer les boutons de commande de la grille, appuyez sur le bouton **Select/Zoom** ou tapez sur **Done** sur l'écran tactile.

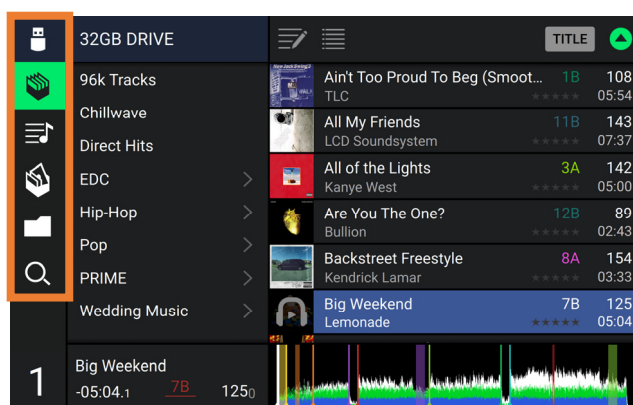
Mode d'affichage Browse View

Le mode d'affichage Browse View vous permet de parcourir votre bibliothèque et de charger une piste sur le module sélectionné. Vous pouvez également effectuer une recherche dans vos crates et listes d'écoute, ajouter des pistes à la liste des pistes en attente et faire une recherche dans toutes vos pistes à l'aide des fonctions de triage et de filtrage.

Important : Visitez denondj.com/downloads et recherchez la section **DJ Software** pour télécharger le logiciel Engine PRIME.

Utilisez les cinq icônes sur le côté gauche pour naviguer en mode d'affichage Browse View :

- **Source** : Utilisez cette option pour sélectionner l'appareil source à partir duquel les pistes seront affichées, y compris vos appareils multimédias connectés et les services de streaming et cloud disponibles. Tapez sur l'icône Source pour afficher la liste des sources disponibles, puis tapez pour sélectionner. Pour activer les services de streaming, utilisez le menu **Utility**.
- **Crates** : Les crates sont des collections de pistes organisées selon les préférences. Vous pouvez créer des crates en fonction des différents genres ou styles musicaux, selon les décennies, etc. Le logiciel fourni Engine PRIME vous permet de créer des crates que vous pouvez utiliser avec cette fonction.
- **Listes d'écoute/historique** : Les listes d'écoute sont des listes de pistes organisées selon un ordre spécifique. Vous pouvez créer des listes d'écoute en fonction des différents types de clubs ou d'évènements, etc. Le logiciel fourni Engine PRIME vous permet de créer des listes d'écoute que vous pouvez utiliser avec cette fonction. C'est également où vous pouvez consulter l'historique de lecture. S'il n'y a aucune liste d'écoute, seulement l'historique sera affiché.
- **Liste des pistes en attente** : Vous pouvez ajouter des pistes à la liste des pistes en attente afin que vous puissiez les utiliser plus tard lors d'une prestation (plutôt que de les rechercher parmi toutes les pistes de votre bibliothèque à la dernière minute).
- **Fichiers** : Cette option permet de parcourir la liste de tous les fichiers sur un lecteur USB ou sur une carte SD.
- **Recherche** : Cette option permet d'effectuer une recherche dans les pistes par mot clé. Les résultats de recherche sont basés sur le nom d'album, le nom d'artiste, le nom de piste, la tonalité et le tempo.



Appuyez sur l'icône liste en haut de l'écran pour basculer entre l'affichage standard et l'affichage étendu.

Balayer une liste vers le haut ou le bas permet de la parcourir (par exemple, les crates, les listes d'écoute ou la liste des pistes). Vous pouvez également appuyer sur les touches **Back** ou **Forward** afin de sélectionner une liste, puis tournez le bouton **Select/Zoom**. Maintenir la touche **Shift** enfoncée puis tourner le bouton **Select/Zoom** permet de parcourir rapidement la liste. Vous pouvez également taper et faire glisser la barre de défilement sur le côté droit de la liste.

Taper sur une icône ou un item dans la liste permet de le sélectionner. Vous pouvez également appuyer sur le bouton **Select/Zoom**.

Balayer une piste vers la droite permet de la charger sur le module. Vous pouvez également appuyer sur le bouton **Select/Zoom** ou appuyer deux fois sur la piste.

Balayer une piste vers la gauche permet de l'ajouter sur la liste des pistes en attente. Vous pouvez également maintenir la touche **Shift** enfoncée et appuyer sur le bouton **Select/Zoom**. Balayer une piste vers la gauche permet de la supprimer de la liste des pistes en attente.

Taper et maintenir le doigt sur la piste permet d'afficher la fenêtre des informations de piste. Taper sur la fenêtre d'information de piste permet de fermer la fenêtre.

Taper sur l'illustration de la piste pour prévisualiser la piste. Tapez de nouveau pour fermer la prévisualisation. Pendant la prévisualisation, tapez sur la piste pour parcourir la piste.

Taper sur le champ de recherche permet d'utiliser le clavier qui s'affiche pour effectuer une recherche des pistes par mot clé. Les résultats de recherche sont basés sur le nom d'album, le nom d'artiste, le nom de piste, la tonalité et le tempo.

Présentation de l'écran du plateau

Généralement, l'écran du plateau affiche les informations suivantes :

- la position actuelle du curseur de lecture.
- la pochette de la piste en cours.

L'écran du plateau affiche les informations suivantes temporairement :

- la durée des boucles automatiques après que vous ayez tourné le bouton **Auto Loop**.
- le niveau en cours après que vous ayez tourné le bouton **Layer**.
- la position du curseur de lecture secondaire lorsque le mode **Slip** est activé.



En prestation

Chargement et suppression de pistes

Lors de l'affichage d'une liste de piste :

Pour charger une piste sur le niveau sélectionné, balayez la piste vers la droite. Vous pouvez également appuyer sur le bouton **Select/Zoom** ou appuyer deux fois sur la piste.

Pour charger la même piste sur les deux niveaux du module (« doubles instantanés »), appuyez deux fois sur le bouton **Select/Zoom** alors que la piste est sélectionnée.

Pour ajouter une piste sur la liste des pistes en attente, balayez la piste vers la gauche. Vous pouvez également maintenir la touche **Shift** enfoncée et appuyez sur le bouton **Select/Zoom**.

Pour afficher les informations de la piste, tapez et maintenez votre doigt sur la piste.

Lors de l'affichage de la liste des pistes en attente :

Pour supprimer une piste de la liste des pistes en attente, balayez la piste vers la gauche.

Pour supprimer toutes les pistes de la liste des pistes en attente, tapez l'**icône pour supprimer les pistes en attente** dans le coin supérieur droit de l'écran.

Recherche et filtrage de pistes

Pour effectuer une recherche, tapez sur le champ de recherche (**Search**) et utilisez le clavier qui s'affiche à l'écran. Les résultats de recherche sont basés sur les critères suivants : le nom d'album, le nom d'artiste, le nom de piste, la tonalité et le tempo.

Pour masquer le clavier, tapez sur l'**icône du clavier** dans le coin inférieur droit du clavier virtuel. Vous pouvez également taper n'importe où sur l'écran autre que sur le clavier ou le champ de recherche.

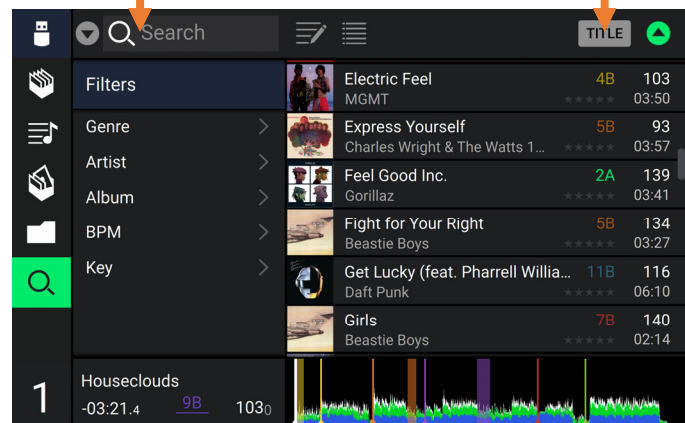
Pour filtrer vos pistes, tapez sur les icônes **genre**, **album**, **artiste**, **tonalité** ou **BPM**, puis tapez sur l'une des options disponibles. Seuls les pistes qui disposent de balises pour genre, album, artiste, tonalité ou BPM seront affichés. (Par défaut, la tonalité est notée en utilisant le système Camelot.)

Remarque : Vous pouvez également utiliser la fenêtre Préférences afin de définir si vous souhaitez afficher uniquement les pistes avec la même tonalité ou les pistes ayant une tonalité compatible ainsi que le « seuil de tolérance » du filtre BPM (afin d'inclure les pistes ayant un tempo qui se retrouve dans la plage de tempo limitée de 1 à 15 BPM). Veuillez consulter la section [Configuration > Fenêtre Préférences](#) afin d'en savoir plus.

Pour trier la liste des résultats, tapez sur l'**icône trier** dans le coin supérieur droit puis sur une des options disponibles. Appuyez sur l'**icône de flèche** à côté pour basculer entre l'ordre croissant et l'ordre décroissant.

Champ de recherche

Icône trier



Lecture et programmation des points de repère

Pour lancer ou interrompre la lecture d'une piste, appuyez sur la touche **Lancer/interrompre la lecture** (▶/||).

Pour ajouter un effet de « scratch » sur la piste, appuyez sur la touche **Vinyl** afin qu'elle s'allume, puis déplacez le plateau.

Pour créer le point de repère initial, appuyez sur **Shift+Cue** à l'emplacement désiré pendant la lecture.

Pour retourner au point de repère initial et arrêter, appuyez sur la touche **Cue**. La touche clignote lorsque la piste est pausée au point de repérage.

Pour retourner au point de repère initial et continuer la lecture, appuyez sur **Shift+Lancer/interrompre la lecture** (▶/||).

Pour inverser la lecture, appuyez sur **Shift+Censor/Reverse**. La touche clignote durant la lecture inversée.

Pour revenir à la lecture normale, appuyez sur la touche Censor/Reverse.

Pour censurer la lecture, maintenez la touche **Censor** enfoncée.

Pour revenir à la lecture normale, relâchez la touche **Censor**. La lecture normale de la piste est relancée à partir de l'emplacement où elle serait si vous n'aviez pas activé la fonction Censor (c.-à-d., comme si la lecture n'avait jamais été interrompue).

Pour passer à la piste précédente ou suivante, appuyez sur une des touches **Track Skip** (◀▶).

Pour revenir au début de la piste, appuyez sur la touche **Track Skip** (◀) lorsque la piste est interrompue.

Pour parcourir rapidement la piste, maintenez la touche **Shift** enfoncée et appuyez sur une des touches **Beat Jump**.

Pour activer et désactiver le mode Slip, appuyez sur la touche **Slip**. En mode Slip, vous pouvez sauter à des points de repère, utiliser les plateaux, ou interrompre la piste alors que la chronologie de la piste se poursuit (la moitié inférieure de la forme d'onde sur l'écran continuera d'aller de l'avant). En d'autres mots, lorsque vous cessez l'action en cours, la piste reprend la lecture normale à partir de l'emplacement où elle serait si vous n'aviez pas touché à l'une des commandes (c.-à-d., comme si la lecture avait suivi son cours).

Pour passer directement à un endroit spécifique sur la piste :

- Lorsque la fonction de verrouillage de la pointe de lecture est **désactivée** : tapez l'emplacement souhaité sur l'aperçu de la piste.
- Lorsque la fonction de verrouillage de la pointe de lecture est **activée** : interrompez la lecture, puis tapez sur l'emplacement souhaité sur l'aperçu de la piste. Vous pouvez également mettre le **plateau** en mode Vinyl (appuyez sur la touche **Vinyl** afin qu'elle s'allume), puis touchez le haut du **plateau** et appuyez sur l'emplacement souhaité sur l'aperçu de la piste.

Veuillez consulter la section [Configuration > Fenêtre Préférences](#) pour plus d'information sur la fonction de verrouillage de la pointe de lecture.

Pour faire un zoom avant ou arrière sur la forme d'onde, écartez ou pincez deux doigts sur la forme d'onde. Vous pouvez également utiliser le bouton **Select/Zoom**.

Bouclage et parcourir rapidement une piste

Pour créer et activer une boucle automatique, appuyez sur le bouton **Auto Loop**.

Pour définir la durée des boucles automatiques, tournez le bouton **Auto Loop** afin de sélectionner le nombre de temps : **1/32, 1/16, 1/8, 1/4, 1/2, 1, 2, 4, 8, 16, 32** et **64**.

Pour créer et activer une boucle manuelle, appuyez sur la touche **Loop In** pour définir le point d'entrée de boucle et puis appuyez sur la touche **Loop Out** pour définir le point de sortie de boucle. La boucle sera activée immédiatement et sera indiquée par une zone grisée dans la forme d'onde et dans l'aperçu de la piste.

Pour désactiver une boucle, appuyez sur le bouton **Auto Loop**.

Pour déplacer la boucle, maintenez la touche **Shift** enfoncée et tournez le bouton **Auto Loop** lorsque la boucle est activée.

Pour réduire de moitié ou doubler la durée d'une boucle, tourner le bouton **Auto Loop** lorsque la boucle est activée.

Pour modifier manuellement le début ou la fin d'une boucle, appuyez sur la touche **Loop In** ou **Loop Out**, puis déplacez le plateau vers la gauche ou la droite pour raccourcir ou étendre la plage de la boucle. Appuyez de nouveau sur la touche **Loop In** ou **Loop Out** afin de confirmer le nouveau point de début ou de fin de boucle.

Pour parcourir rapidement la piste, appuyez sur une des touches **Beat Jump**. Chaque fois que vous réappuyez sur la touche, le curseur parcourt la durée définie pour les boucles automatiques, laquelle vous pouvez définir en tournant le bouton **Auto Loop**.

Réglage de la synchronisation et de la hauteur tonale

Pour activer la synchroniser, appuyez sur la touche **Sync** sur l'unité que vous souhaitez qui commande le BPM, qui deviendra l'unité « maître ». Une fois que la fonction de synchronisation est activée sur cette unité, appuyez sur la touche **Sync** des autres SC6000 PRIME. Le tempo de chaque unité sera immédiatement synchronisé au tempo de l'unité maître.

L'icône d'état de la synchronisation au bas de l'écran affiche l'état actuel :

- **Sync Off** : La synchronisation est désactivée.
- **Tempo Sync** : Seulement le tempo est synchronisé (le BPM correspondra à celui de l'unité maître).
- **Bar/Beat Sync** : Le tempo sera synchronisé et la piste sera automatiquement synchronisée à la mesure ou au rythme de la piste de l'autre module, selon le réglage du paramètre **Sync Mode**.

Pour désactiver la synchronisation sur un des SC6000 PRIME, appuyez sur **Shift+Sync**.

Pour définir un autre SC6000 PRIME comme maître, appuyez sur la touche **Master**. Toutes les unités SC6000 PRIME connectées dont la fonction de synchronisation a été activée utiliseront ce tempo.

Pour ajuster la hauteur tonale de la piste, déplacez le **curseur de haute tonale**. Vous pouvez uniquement faire cet ajustement lorsque le module n'est pas synchronisé.

Important : Lorsque la synchronisation est activée, déplacer le curseur de hauteur tonale sur le SC6000 PRIME maître permet de modifier la vitesse de tous les appareils synchronisés, alors que déplacer le curseur de hauteur tonale sur les autres SC6000 PRIME ne change rien.

Pour ajuster la hauteur tonale de la piste de façon temporaire, maintenez une des touches **Pitch Bend** -/+ enfoncée.

Pour modifier la plage du curseur de haute tonale, maintenez la touche **Shift** enfoncée tout en appuyant sur une des touches **Pitch Bend** -/+ afin de sélectionner **±4%**, **8%**, **10%**, **20%**, **50%** et **100%**.

Pour rétablir la hauteur tonale de la piste à 0%, appuyez sur **Shift+Verrouillage tonal/réinitialisation tonale**. La hauteur tonale originale de la piste sera rétablie (**0%**), indépendamment de la position du curseur de hauteur tonale.

Afin de modifier la hauteur tonale de la piste, tapez sur l'icône de la note de musique sur l'**écran tactile** afin d'afficher le **menu de modification de la hauteur tonale**.

Modes de fonctionnement des pads

Les 8 pads ont différentes fonctions selon le mode Pad. Les touches **Parameter** ◀/▶ permettent d'apporter des modifications à chaque mode de pad.

Pour accéder à chaque mode de pad, appuyez sur la touche correspondante : **Hot Cue**, **Loop**, **Roll** ou **Slicer**.

Mode Hot Cue



Le mode Hot Cue vous permet d'utiliser chaque pad pour sauter à un point de repère rapide programmé.

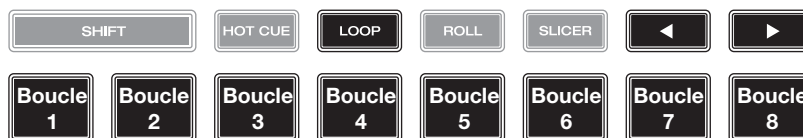
Astuce : Vous pouvez utiliser le logiciel fourni Engine PRIME afin de programmer, nommer et affecter des couleurs aux points de repère rapides. Les noms et les couleurs s'afficheront sur l'écran.

Pour assigner un point de repère rapide à un pad, appuyez sur un des pads qui est allumé à faible intensité lorsque vous aurez atteint l'endroit désiré sur la piste. Le pad s'allume lorsqu'un point de repère rapide lui est affecté.

Pour sauter à un point de repère rapide, appuyez sur le pad correspondant.

Pour supprimer un point de repère rapide, maintenez la touche **Shift** enfoncée puis appuyez sur le pad correspondant. Le pad s'éteint lorsqu'aucun point de repère rapide ne lui est affecté.

Modes de bouclage



Le mode Manual Loop vous permet d'utiliser chaque pad pour programmer et activer une boucle. Appuyer une première fois sur la touche Loop permet d'accéder au mode Manual Loop.

Astuce : Vous pouvez utiliser le logiciel fourni Engine PRIME afin de programmer et nommer les boucles. Les noms s'afficheront sur l'écran.

Pour assigner une boucle à un pad et l'activer, appuyez sur un pad qui est allumé à faible intensité pour programmer un point d'entrée de boucle à l'emplacement actuel, puis appuyez de nouveau afin de créer un point de sortie de boucle à un autre emplacement. Vous pouvez également programmer une boucle automatique en appuyant sur un pad qui est allumé à faible intensité en mode Auto Loop. La boucle sera activée immédiatement et le pad s'allumera.

Pour activer une boucle, appuyez sur le pad correspondant. Une fois qu'une boucle a été créée, vous pouvez la déclencher en appuyant de nouveau sur le pad correspondant, selon le réglage du paramètre **Saved Loop Behavior**.

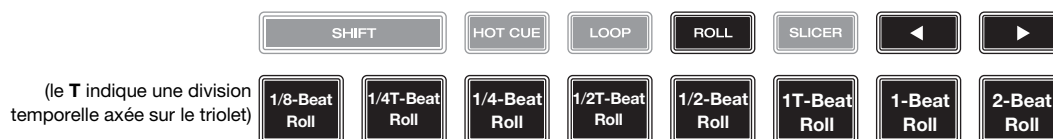
Pour supprimer une boucle, maintenez la touche **Shift** enfoncée puis appuyez sur le pad correspondant.

Le mode Auto Loop vous permet d'utiliser chaque pad pour programmer et activer une boucle automatique. Appuyer sur la touche Loop en mode Manual Loop permet d'accéder au mode Auto Loop.

Pour activer une boucle automatique, appuyez sur un des pads. La durée de la boucle automatique pour chaque pad sera affichée.

Pour désactiver une boucle, appuyez de nouveau sur le pad.

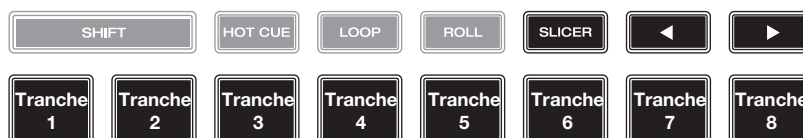
Mode Roll



En mode Roll, vous pouvez maintenir chaque pad enfoncé afin de déclencher un roulement de boucle d'une durée définie alors que la chronologie de la piste se poursuit (la moitié inférieure de la forme d'onde sur l'écran continuera d'aller de l'avant). Lorsque le pad est relâché, la lecture normale de la piste est relancée à partir de l'emplacement où elle serait si vous ne l'aviez pas enfoncé (c.-à-d., comme si la lecture n'avait jamais été interrompue).

Pour activer un roulement de boucle, appuyez sur le pad correspondant. Les pads assignés à des roulements de boucles ayant une division temporelle axée sur le triolet sont violets.

Mode Slicer



En mode Slicer (première pression), les huit pads représentent huit temps séquentiels ou « tranches » dans le Beatgrid. La tranche en cours de lecture est représentée par le pad qui est allumé ; la lumière parcourra les pads au fur et à mesure que les huit tranches de la phase sont jouées. Vous pouvez appuyer sur un pad pour faire jouer la tranche correspondante. Lorsque le pad est relâché, la lecture normale de la piste est relancée à partir de l'emplacement où elle serait si vous ne l'aviez pas enfoncé (c.-à-d., comme si la lecture n'avait jamais été interrompue).

Pour activer une tranche, appuyez sur le pad correspondant.

Utilisez les **touches des paramètres** pour modifier la durée des répétitions.

En mode Slicer Loop Mode (seconde pression), vous activez automatiquement une boucle de 8 temps. La tranche en cours de lecture est représentée par le pad qui est allumé ; la lumière « parcourra les pads » au fur et à mesure que les huit tranches de la phase sont jouées, puis recommenceront à jouer en boucle. Vous pouvez appuyer sur un pad pour faire jouer la tranche correspondante. Lorsque le pad est relâché, la lecture normale de la piste est relancée à partir de l'emplacement où elle serait si vous ne l'aviez pas enfoncé (c.-à-d., comme si la lecture n'avait jamais été interrompue).

Configuration

Important : Toutes les options dans la fenêtre Shortcuts se retrouvent également dans la fenêtre Preferences. Toute modification apportée à un des paramètres dans une des fenêtres se trouvera modifiée dans l'autre.

Fenêtre Shortcuts

Pour accéder à la fenêtre **Shortcuts**, appuyez sur la touche **Shortcuts**.

Pour fermer la fenêtre **Shortcuts**, tapez sur le **X** dans le coin supérieur droit, ou appuyez de nouveau sur la touche **Shortcuts**.

Dans la fenêtre **Shortcuts**, tapez une option afin de la sélectionner.

- **Layer Color :** Cette option permet de sélectionner la couleur de la lumière autour du plateau pour chaque niveau. Tapez **A** ou **B** au centre pour sélectionner le niveau, et puis tapez une couleur pour la sélectionner. L'anneau changera de couleur immédiatement. Tapez sur le **X** pour revenir à la fenêtre précédente.
- **Cue/Loop Quantization :** Ce paramètre détermine le degré de quantification appliqué pour les fonctions basées sur le temps. Les options sont **1/8**, **1/4**, **1/2**, **1** et **4** battements.
- **Sync Mode :** Ce paramètre détermine le degré de synchronisation appliqué lorsque vous appuyez sur la touche Sync du SC6000 PRIME :
 - **Bar :** Le tempo sera synchronisé et la piste sera automatiquement synchronisée aux mesures de la piste sur l'unité maître (les temps forts de chaque mesure seront alignés).
 - **Beat :** Le tempo sera synchronisé et la piste sera automatiquement synchronisée à celle de la piste sur l'unité maître.
 - **Tempo :** Seulement le tempo est synchronisé (le BPM correspondra à celui du module maître).
- **Screen Brightness :** Ce paramètre détermine la luminosité de l'écran tactile : Les options sont faible (**Low**), moyenne (**Mid**), élevée (**High**) et maximum (**Max**).
- **Player # :** Ce paramètre indique le numéro du lecteur. Lorsque vous sélectionnez un appareil source à parcourir, ce numéro est indiqué à côté du nom de l'appareil à l'écran.

Fenêtre Preferences

Pour accéder à la fenêtre **Preference**, maintenez la touche **View/Preferences/Utility** enfoncée et tapez l'onglet **Preferences**.

Pour fermer la fenêtre **Preferences**, tapez sur le **X** dans le coin supérieur droit, ou appuyez de nouveau sur la touche **View/Preferences/Utility**.

Dans la fenêtre **Preferences**, balayez vers le haut ou vers le bas afin de parcourir toutes les options, puis tapez une option afin de la sélectionner :

Playback

- **Track Start Position :** Ce paramètre détermine le début d'une piste lorsqu'elle est chargée. Sélectionnez le début réel du fichier (**Track Start**) ou le début d'un signal audio détecté automatiquement (**Cue Position**).
- **Default Speed Range :** Ce paramètre indique la plage du **curseur de hauteur tonale**. Les options sont **±4%**, **8%**, **10%**, **20%** et **50%**.
- **Sync Mode :** Ce paramètre détermine le degré de synchronisation appliqué lorsque vous appuyez sur la touche Sync du SC6000 PRIME :
 - **Bar :** Le tempo sera synchronisé et la piste sera automatiquement synchronisée aux mesures de la piste sur l'unité maître (les temps forts de chaque mesure seront alignés).
 - **Beat :** Le tempo sera synchronisé et la piste sera automatiquement synchronisée à celle de la piste sur l'unité maître.
 - **Tempo :** Seulement le tempo est synchronisé (le BPM correspondra à celui du module maître).
- **Sync Button Action :** Ce paramètre permet de déterminer comment la touche **Sync** fonctionne lorsqu'elle est enfoncée.
 - **Toggle :** Ce mode vous permet d'activer et de désactiver la synchronisation sans devoir maintenir la touche **Shift** enfoncée.
 - **Shift Disable :** Ce mode nécessite que la touche **Shift** soit maintenue enfoncée afin de désactiver la synchronisation.
- **Pitch Control Type :** Ce paramètre permet de déterminer la fonction principale des touches Pitch Bend. Lorsque l'option **Pitch Bend** est sélectionnée, la fonction principale permet de réduire ou d'augmenter momentanément la hauteur tonale. Lorsque l'option **Range** est sélectionnée, la fonction principale permet d'ajuster la plage du curseur de la hauteur tonale. Pour accéder à la fonction secondaire, il suffit de maintenir la touche **Shift** enfoncée et d'utiliser les touches **Pitch Bend**.

Cues/Loops

- **Cue/Loop Quantization** : Ce paramètre détermine le degré de quantification pour les fonctions basées sur le temps : les points de repère rapides, les boucles et les roulements de boucle. Les options sont **1/8**, **1/4**, **1/2**, **1** et **4** battements.
- **Paused Hot Cue Behavior** : Ce paramètre permet de déterminer comment les pads utilisent leurs points de repère rapides. Lorsque ce paramètre est réglé sur **momentané**, la lecture commence à partir d'un point de repère rapide lorsque le pad est maintenu enfoncé. Relâcher le pad permet de revenir au point de repère rapide. Lorsque ce paramètre est réglé sur **déclenchement**, la lecture commence (et continue) à partir d'un point de repère rapide lorsque le pad est enfoncé et relâché.
- **Default Loop Size** : Ce paramètre permet de déterminer la longueur par défaut d'une boucle automatique lorsqu'une nouvelle piste est chargée sur le module : **1**, **2**, **4**, **8** ou **16** battements.
- **Smart Loops** : Ce paramètre détermine si oui ou non une boucle manuelle sera automatiquement augmentée ou réduite afin d'être d'une durée standard (par exemple, 2 temps, 4 temps, 8 temps, etc.). Les options sont activée (**On**) et désactivée (**Off**). Ce paramètre fonctionne indépendamment des paramètres de quantification.
- **Move Cue To Loop In** : Ce paramètre permet de déterminer si le point de repère (**Cue Point**) initial de la piste sera automatiquement déplacé au début d'une boucle (**On**) ou restera à son point actuel (**Off**).
- **Saved Loop Behavior** : Ce paramètre permet de définir le fonctionnement des boucles après leur enregistrement. Lorsqu'il est réglé sur **Reloop**, appuyer sur un pad qui correspond à une boucle enregistrée permet de relancer la lecture de la boucle. Lorsqu'il est réglé sur **Disable**, appuyer sur un pad qui correspond à une boucle enregistrée permet de désactiver la boucle.

Display

- **Track Title** : Ce paramètre permet de déterminer si les titres de pistes sont affichés selon leurs noms de fichier (**Filename**) ou selon leurs métadonnées (**Metadata**).
- **Time Format** : Ce paramètre détermine si oui ou non la modification de la hauteur tonale affecte l'affichage de la chronologie de la piste. En mode **Static**, la chronologie de la piste correspond à des endroits standards dans une piste ; la modification de la hauteur tonale ne l'affecte pas. En mode **Dynamic**, la chronologie de la piste sera ajustée automatiquement pour tenir compte des changements de vitesse. Par exemple, si vous modifiez le curseur de hauteur tonale à **-8%**, la chronologie de la piste sera augmentée de **8 %**.
- **Track End Warning** : Ce paramètre détermine combien de temps avant la fin d'une piste le SC6000 PRIME vous avertit qu'il arrive à la fin. Si la piste se trouve sur le niveau sélectionné, l'anneau autour du **plateau** et l'**aperçu de la piste** se mettent à clignoter. Si la piste se trouve sur le niveau opposé, la touche **Layer** se met à clignoter.
- **On Air Mode** : Ce paramètre permet de modifier la couleur de l'anneau du plateau lorsque le curseur de canal de la console de mixage est déplacé vers le haut ou vers le bas afin d'indiquer si le module est actif et transmet l'audio. Lorsque ce paramètre est activé (**On**), déplacer le curseur de canal vers le haut modifie la couleur du plateau de **blanc** en la couleur sélectionnée. Lorsque ce paramètre est désactivé (**Off**), l'anneau du plateau reste toujours la couleur sélectionnée, peu importe la position du curseur de canal.

Remarque : Cela nécessite une connexion à une console de mixage Denon DJ compatible via Ethernet.

Safety

- **Lock Playing Deck** : Ce paramètre détermine si vous pouvez charger une nouvelle piste lorsque le module est en cours de lecture. Les options sont activée (**On**) et désactivée (**Off**). Lorsque ce paramètre est activé, la lecture doit être interrompue afin de charger une nouvelle piste sur ce module.
- **Needle Lock** : Ce paramètre détermine si vous pouvez taper sur l'**aperçu de la piste** à l'écran afin de sauter à cet emplacement durant la lecture de la piste. Les options sont activée (**On**) et désactivée (**Off**). Vous pouvez utiliser l'aperçu de la piste lorsque la lecture est interrompue indépendamment de ce paramètre. Vous pouvez également mettre le plateau en mode Vinyl (appuyez sur la touche **Vinyl** afin qu'elle s'allume), puis touchez le haut du plateau et appuyez sur l'emplacement souhaité sur l'aperçu de la piste.
- **Pad Lock** : Ce paramètre détermine si les pads et les touches des modes de fonctionnement des pads (**Hot Cue**, **Loop**, **Roll**, **Slicer**) sont activés ou désactivés. Les options sont activée (**On**) et désactivée (**Off**).

Library

- **Key Notation** : Ce paramètre détermine comment la tonalité de la piste est notée à l'écran. Vous pouvez afficher la tonalité comme dièses (**Sharps**), bémols (**Flats**), **Open Key** ou **Camelot**.
- **Key Filter** : Ce paramètre détermine si le filtre tonal (**Key**) affiche uniquement les pistes ayant la même tonalité (**Match**) ou les pistes ayant des tonalités compatibles (**Compatible**).
- **BPM Range** : Ce paramètre permet de déterminer les valeurs BPM les plus basses et les plus élevées qui seront utilisées pour l'analyse des pistes : **58–115**, **68–135**, **78–155** ou **88–175** BPM.
- **BPM Filter Tolerance** : Ce paramètre détermine le seuil de tolérance du filtre **BPM** afin que vous puissiez inclure des pistes ayant des tempos qui se retrouvent dans la plage de tempo limitée spécifiée. Les options sont **±0**, **1**, **2**, **3**, **5**, **10** et **15**.
- **Collection Browse Behavior** : Ce paramètre permet de déterminer comment la navigation de la bibliothèque s'effectue. Lorsqu'il est réglé sur **Select**, taper sur une liste de lecture, un crate ou un dossier permet de la ou de le sélectionner et taper deux fois permet de l'ouvrir. Lorsqu'il est réglé sur **Open**, taper sur une liste de lecture, un crate ou un dossier permet de l'ouvrir.

Deck Colors

- **Deck Colors** : Ce paramètre permet de sélectionner la couleur de la lumière autour du plateau pour chaque niveau sur tous les lecteurs. Tapez sur la flèche à côté de **A** ou de **B** pour sélectionner le niveau, et puis tapez une couleur pour la sélectionner. L'anneau changera de couleur immédiatement. Tapez sur le **X** pour revenir à la fenêtre précédente.

Fenêtre Utility

Pour accéder à la fenêtre **Utility**, maintenez la touche **View/Preferences/Utility** enfoncée et tapez l'onglet **Utility**.

Pour fermer la fenêtre **Utility**, tapez sur le **X** dans le coin supérieur droit, ou appuyez de nouveau sur la touche **View/Preferences/Utility**.

Dans la fenêtre **Utility**, balayez vers le haut ou vers le bas afin de parcourir toutes les options, puis tapez une option afin de la sélectionner :

Device Settings

- **Player #** : Ce paramètre indique le numéro du lecteur. Lorsque vous sélectionnez un appareil source à parcourir, ce numéro est indiqué à côté du nom de l'appareil à l'écran.
- **Layer B** : Ce paramètre permet de déterminer si le SC6000 PRIME utilise les deux niveaux du module (**On**) ou juste un (**Off**).
- **Wi-Fi** : Ce paramètre permet de déterminer si la fonction Wi-Fi est activée (**On**) ou désactivée (**Off**).
- **Wi-Fi Settings** : Cette option permet d'ouvrir le menu de connexion Wi-Fi et de se connecter à un réseau sans fil.
- **Nudge Sensitivity** : Ce paramètre permet de déterminer le niveau de sensibilité des plateaux : Les options sont faible (**Low**), moyenne (**Mid**), élevée (**High**) ou maximum (**Max**).
- **Track Preview** : Lorsqu'il est activé, **Track Preview** affichera un bouton de lecture pour chaque piste de la bibliothèque, permettant aux pistes d'être écoutés dans le « Cue » sans charger une piste sur le module. Sélectionnez **On** (Activé) ou **Off** (Désactivé).
- **Screen Brightness** : Ce paramètre détermine la luminosité de l'écran tactile : Les options sont faible (**Low**), moyenne (**Mid**), élevée (**High**) ou maximum (**Max**).

Streaming Services

Ces options permettent d'activer ou de désactiver les connexions aux partenaires de service de streaming. Lorsqu'activé, le service sélectionné sera disponible dans **Source**.

Cloud Services

Cette option permet de récupérer votre base de données de bibliothèque Engine à partir d'un service de stockage cloud. Vous devez d'abord utiliser le logiciel **Engine PRIME** pour synchroniser votre base de données. Ensuite, lorsque cette option activée, le service sélectionné sera disponible dans **Source** et vous pourrez accéder à ces fichiers via une connexion Internet établie.

Remarque : Nous recommandons d'utiliser uniquement des cartes SD USB 3.0 ou de classe U1 ou U3 de marque renommée de haute qualité comme sources, en particulier lorsque les services cloud sont activés.

Device Info

- **Model** : C'est le nom de ce cet appareil.
- **Firmware Version** : C'est la version actuelle du système d'exploitation Engine de l'appareil. L'option **Check For Updates** permet d'effectuer une recherche de mise à jour pour le micrologiciel du SC6000 PRIME (nécessite une connexion Internet).
- **SC6000 Controller** : C'est la version actuelle du progiciel du contrôleur de l'appareil.
- **SC6000 Display** : C'est la version actuelle du progiciel de l'écran de l'appareil.
- **Reset all settings to default** : Appuyez sur **Reset** pour réinitialiser les paramètres d'usine par défaut de l'appareil.

Update

- **Update Firmware** : Cette option permet de redémarrer le SC6000 PRIME en mode de mise à jour afin de mettre à jour son progiciel. Suivez les instructions fournies avec le fichier de mise à jour du progiciel que vous avez téléchargé.

Legal Info

- **Informations juridiques** : Cette option permet d'afficher le contrat de licence de l'utilisateur final (CLUF) de Denon DJ ainsi que la liste des brevets.

Guida per l'uso (Italiano)

Introduzione

Grazie per aver acquistato l'SC6000 PRIME. Noi di Denon DJ sappiamo che per te la musica è una cosa seria. Ecco perché progettiamo i nostri dispositivi con un unico obiettivo in mente: rendere le tue prestazioni le migliori possibili.

Caratteristiche:

- Display HD multi-touch da 25,6 cm (10.1") con supporto gestuale
- Uscita audio digitale pura da 24 bit/ 96kHz
- Wi-Fi incorporato e connettività Internet cablata per lo streaming musicale
- Riproduzione a doppio strato con uscite indipendenti analogiche e digitali
- Rotella jog wheel da 21,6 cm (8,5") con regolazione della tensione e display HD a colori
- Riproduce formati audio non compressi (FLAC, ALAC, WAV, AIFF)
- Analisi incorporata di file musicali e gestione della raccolta
- I migliori algoritmi per l'estensione del tempo e la modifica/sincronizzazione della tonalità musicale
- Gli ingressi media comprendono: 3 USB, SD e drive bay SATA interna
- Tasti in gomma sensibili e pad prestazioni multifunzione
- Uscita LAN per il collegamento dei lettori per il controllo di illuminazione e video da DJ pro
- Connettore IEC di bloccaggio per cavo di alimentazione fisso

Contenuti della confezione

SC6000 PRIME	Cavo di alimentazione
2 cavi audio RCA (coppie stereo)	Panno per la pulizia
Cavo USB	Scheda di download del Software
Cavo di prolunga USB	Guida per l'uso
Cavo di rete	Istruzioni di sicurezza e garanzia

Assistenza

Per le ultime informazioni in merito a questo prodotto (documentazione, specifiche tecniche, requisiti di sistema, informazioni sulla compatibilità, ecc.) e per effettuare la registrazione, recarsi alla pagina denondj.com.

Per ulteriore assistenza sul prodotto, recarsi alla pagina denondj.com/support.

Registrazione del prodotto

Il prodotto può includere software esclusivo e/o promozioni cui è unicamente possibile accedere registrando il nuovo prodotto sul sito Web di Denon DJ.

Per verificare la propria idoneità e avere accesso ai contenuti disponibili, registrare il prodotto seguendo le istruzioni fornite:

1. Recarsi su denondj.com e fare clic su **Account**.
2. Fare clic su **Sign In** per accedere al proprio account esistente o per crearne uno nuovo.
3. Una volta effettuato il login, fare clic su **Register New Product**.
4. Inserire il numero di serie del prodotto nella casella e fare clic su **Check Serial**.
5. Compilare il modulo e fare clic su **Register Your Product**.
6. In seguito alla registrazione, qualsiasi software scaricabile, contenuti esclusivi e offerte promozionali compariranno nel proprio account.

Configurazione

Importante: di tanto in tanto potremmo aggiornare il firmware del SC6000 PRIME per aggiungere nuove emozionanti funzioni e per apportare miglioramenti. Recarsi alla pagina denondj.com/downloads per verificare l'eventuale presenza di aggiornamenti del firmware disponibili, soprattutto dopo l'eventuale aggiornamento del software (gli aggiornamenti del firmware possono essere rivolti a nuove funzioni del software).

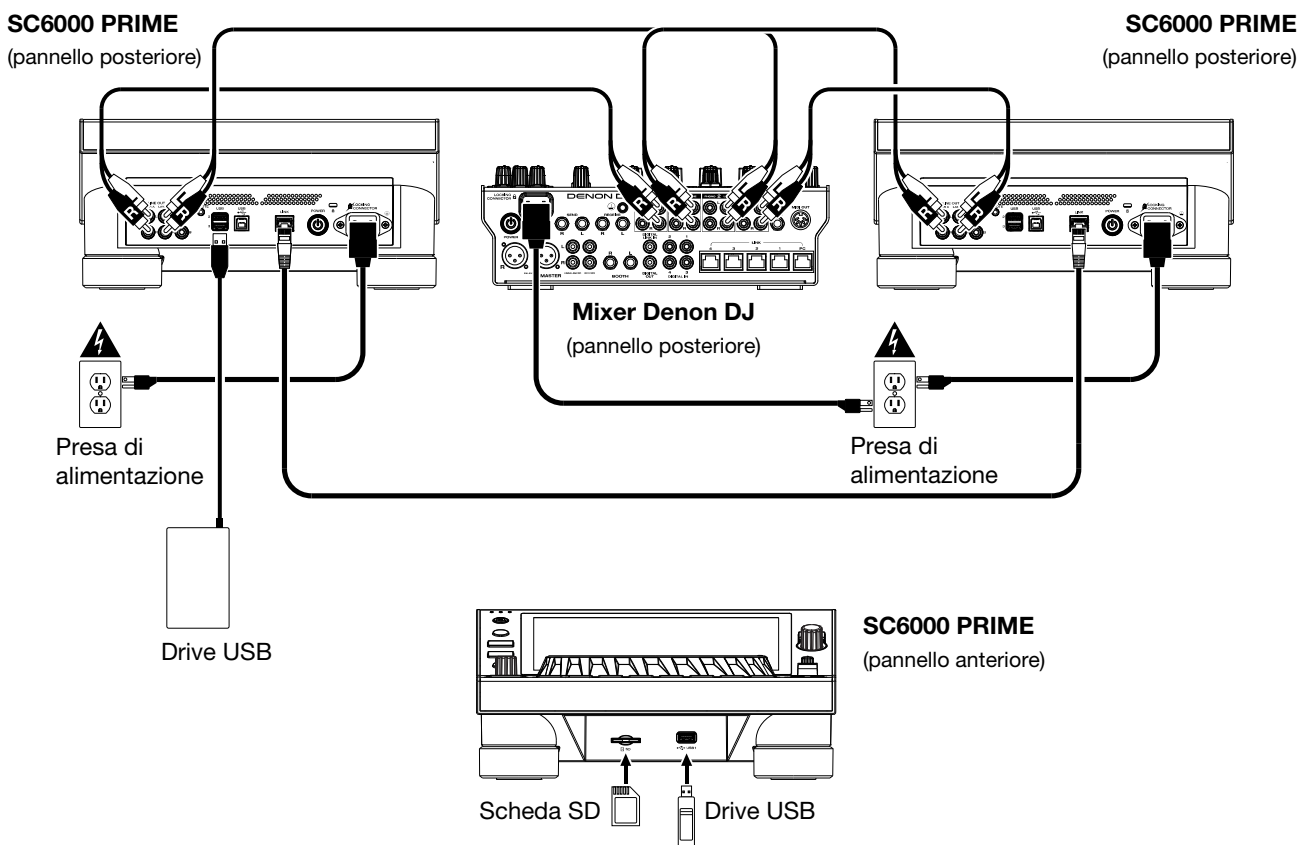
1. Recarsi su denondj.com/downloads e trovare la sezione **DJ Software** per scaricare il software Engine PRIME.
2. Fare doppio clic sul file di installazione **.exe** (Windows®) o **.dmg** (macOS®) scaricato, quindi seguire le istruzioni a display per installare Engine PRIME.
3. Assicurarsi che tutti i dispositivi siano spenti (**off**) o che i loro livelli di volume siano tutti al **minimo**.
4. Collegare le uscite audio dell'SC6000 PRIME (**Layer A/B** o **Digital Outputs A/B**) agli ingressi del mixer.
5. Collegare le porte **Link** dell'SC6000 PRIME seguendo uno dei seguenti esempi di schema di collegamento.
6. Collegare i dispositivi di uscita (giradischi, cuffie, amplificatori, altoparlanti, ecc.) alle uscite del mixer.
7. Collegare tutti i dispositivi a fonti di alimentazione.
 - Quando si avvia una sessione, accendere (1) SC6000 PRIME e altre fonti di ingresso, (2) il mixer e quindi (3) dispositivi di uscita.
 - Al termine di una sessione, spegnere (1) dispositivi di uscita, (2) il mixer, e quindi (3) SC6000 PRIME e altre fonti di ingresso.
8. **Per utilizzare Engine OS** (riproduzione standalone): inserire un drive flash USB o una scheda SD (dotati di una libreria musicale configurata per Engine) in una delle **porte USB** o nella **slot per scheda SD** del SC6000 PRIME.

Schema dei collegamenti

Elementi non elencati sotto [Introduzione > Contenuti della confezione](#) sono venduti separatamente.

Esempio 1

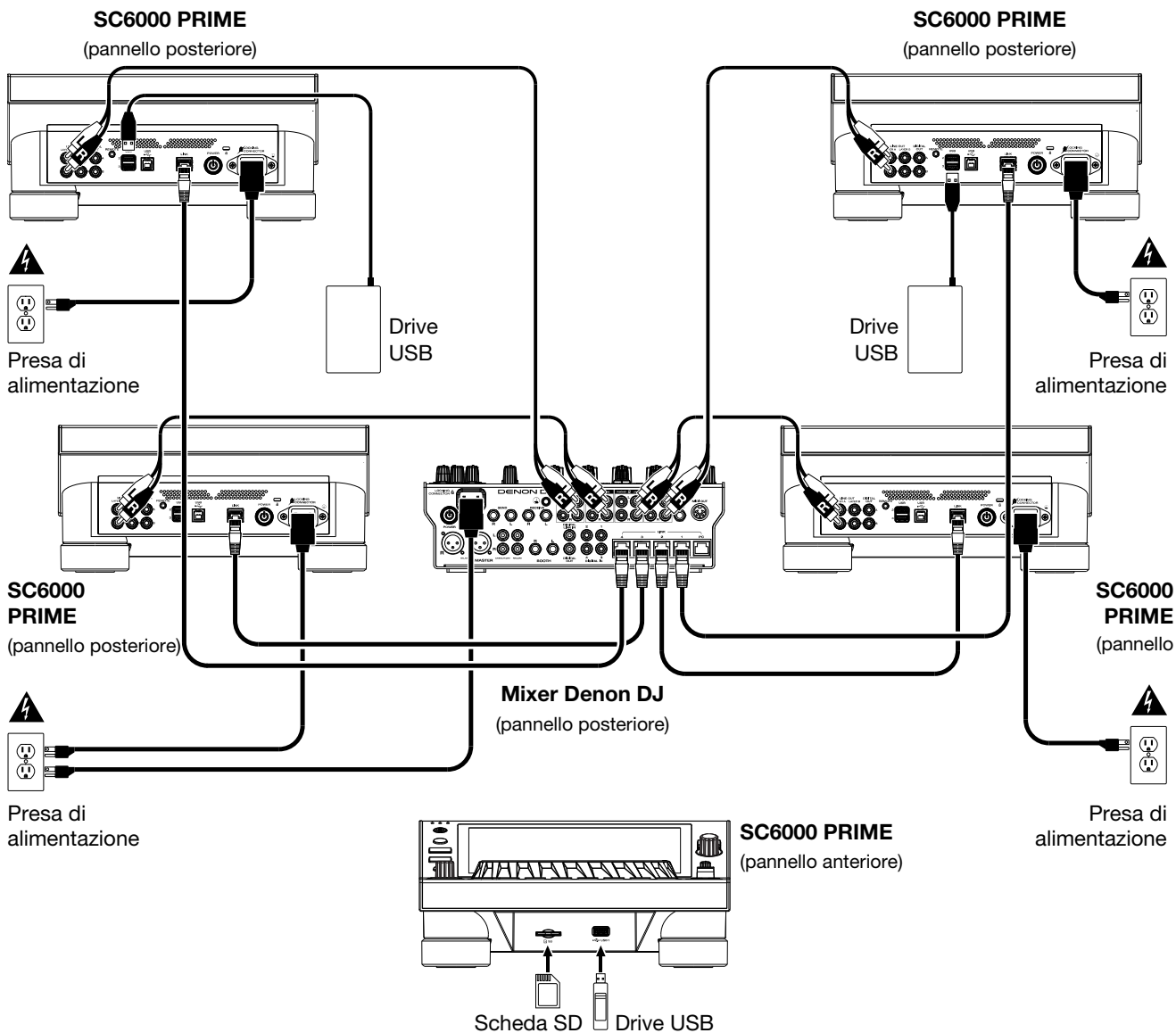
Questo esempio mostra 2 unità SC6000 PRIME con le loro porte **Link** collegate direttamente l'una con l'altra.



Esempio 2

Questo esempio mostra 4 unità SC6000 PRIME con le loro porte **Link** collegate alle **Porte 1-4 Link** di un mixer Denon DJ. Le 4 unità sono collegate a formare una rete tramite il mixer.

Nota bene: se si desidera utilizzare un mixer diverso con questo impianto, collegare le porte **Link** di tutte e 4 le unità SC6000 PRIME a un hub Ethernet anziché al mixer.



Avvertenza RF: questo è un dispositivo portatile. Mantenere una distanza minima di 20 centimetri tra la struttura irradiante del trasmettitore e il proprio corpo o le altre persone nelle vicinanze.

Analisi dispositivi e file

SC6000 PRIME può riprodurre file musicali da drive USB, schede SD o altri dispositivi SC6000 PRIME collegati. Assicurarsi di utilizzare unicamente i file di sistema (per drive USB o schede SD) e i formati di file (per file musicali) elencati qui di seguito.

File di sistema supportati:	exFAT, FAT32	
Formati di file supportati:	AAC/M4A	MP3 (32–320 kbps)
	AIF/AIFF (44.1–192 kHz, 16–32-bit)	MP4
	ALAC	Ogg Vorbis
	FLAC	WAV (44.1–192 kHz, 16–32-bit)

Sebbene l'SC6000 PRIME sia in grado di riprodurre tracce che non sono ancora state analizzate, l'esecuzione dell'analisi consente alle sue funzioni di lavorare in maniera più efficiente. Le tracce possono essere analizzate in due modi:

- **Su SC6000 PRIME, caricare la traccia:** quando si carica una traccia da riprodurre, l'SC6000 PRIME la analizzerà automaticamente (se non è già stata analizzata). Questa operazione può richiedere alcuni istanti, a seconda della lunghezza della traccia. Si può iniziare a riprodurre la traccia dall'inizio **immediatamente**, sebbene si debba attendere alcuni istanti che l'analisi sia completata.
- **Utilizzare il software Engine PRIME:** il software Engine PRIME in dotazione può pre-analizzare la libreria musicale da utilizzare con l'SC6000 PRIME. È inoltre possibile utilizzarlo per organizzare la libreria, gestire le preferenze hardware dell'SC6000 PRIME, ecc. (si veda [Operazione](#) per saperne di più).

Recarsi su denondj.com/downloads e trovare la sezione **DJ Software** per scaricare il software Engine PRIME.

Per espellere un drive USB o una scheda SD:

1. Assicurarsi che nessuna delle sue tracce sia in corso di riproduzione su una delle unità SC6000 PRIME collegate.
2. Premere **Media Eject**. Un elenco dei dispositivi collegati comparirà sul **touchscreen**.
3. Toccare l'icona **Eject** sullo schermo tattile accanto al nome del dispositivo. Se una traccia presente sul dispositivo è attualmente in corso di riproduzione verrà chiesto se si desidera continuare nell'espulsione, cosa che interromperà la riproduzione della traccia. Toccare **Cancel** per annullare l'espulsione del dispositivo oppure **OK** per procedere.

Per effettuare l'espulsione di ulteriori dispositivi, ripetere la Fase 3.

Per tornare alla schermata precedente, premere nuovamente **Media Eject** o toccare la **X** nell'angolo superiore destro.

Collegamento a una rete

Si può creare una rete di un massimo di quattro SC6000 PRIME, consentendo loro di condividere database di tracce, informazioni su timing e BPM e altri dati in maniera ininterrotta tramite tale connessione.

Questa funzione offre molti vantaggi durante le esibizioni. Ad esempio, se si utilizzano quattro unità SC6000 PRIME, si può utilizzare una di esse per navigare lungo **tutte** le tracce su **tutti** i dispositivi (drive USB o schede SD) collegati a **una qualsiasi** di tali unità SC6000. Si possono poi riprodurre queste tracce immediatamente senza dover trasferire un dispositivo da un'unità all'altra.

Per creare una rete collegando più unità SC6000 PRIME, servirsi dei cavi di rete in dotazione per procedere in uno dei seguenti modi:

- Se si utilizzano solo due unità SC6000 PRIME, collegare le loro due porte **Link**.
- Se si utilizzano due o più unità SC6000 PRIME, collegare ciascuna delle loro por **Link** a una porta **Link (1–4)** del mixer Denon DJ.
- Se si utilizzano due o più unità SC6000 PRIME, collegare ciascuna delle loro porte **Link** a una porta Ethernet di un router.

La spia **Link** si accende quando l'unità SC6000 PRIME è correttamente collegata a una rete.

Configurazione

L'SC6000 PRIME dispone di diverse impostazioni che aiutano a personalizzare la riproduzione e la maniera in cui sono illustrate a display le informazioni.

Per aprire un menu rapido delle impostazioni utilizzate più di frequente, premere **Shortcuts**.

Per aprire l'elenco completo di preferenze, tenere premuto **View/Preferences/Utility**.

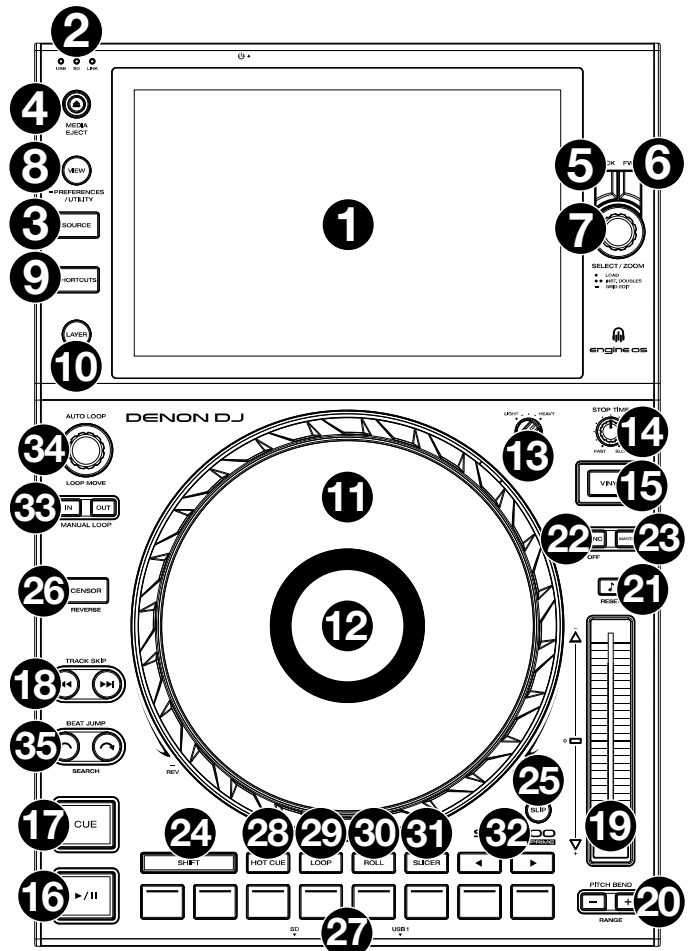
Per saperne di più su queste impostazioni, si veda [Operazione > Configurazione](#).

Caratteristiche

Pannello superiore

Sceita dei supporti e navigazione

- Touchscreen:** questo display multi-touch a colori mostra informazioni specifiche per l'operazione corrente dell'SC6000 PRIME. Toccare il display (e servirsi dei comandi hardware) per controllare l'interfaccia. Per maggiori informazioni, si veda [Operazione > Panoramica Touchscreen](#).
- Sceita del supporto:** queste spie si illuminano per indicare se è collegato il tipo di supporto corrispondente. **USB, SD, o Link**.
- Source:** premere questo tasto per mostrare un elenco di dispositivi disponibili collegati all'SC6000 PRIME sul **touchscreen** (altre unità SC6000 PRIME collegate, drive USB, schede SD, Wi-Fi, ecc.). Toccare un dispositivo nell'elenco per selezionarlo.
- Media Eject:** premere questo tasto per mostrare un elenco dei dispositivi collegati a quell'unità SC6000 PRIME sul **touchscreen** (ossia i drive USB collegati alle relative porte USB o una scheda SD inserita nell'apposita slot).
Per espellere un dispositivo, assicurarsi che nessuna delle sue tracce sia in corso di riproduzione, quindi toccare l'icona **Eject** sul **touchscreen** e seguire le indicazioni.
- Back** (indietro): premere questo tasto per tornare alla finestra precedente. In Performance View, premere questo tasto per entrare in modalità di visualizzazione Browse View.
- Forward** (avanti): premere questo tasto per passare alla finestra successiva. In Performance View, premere questo tasto per entrare in modalità di visualizzazione Browse View.
- Select/Zoom** (scegli/carica): In modalità di visualizzazione Browse, girare questa manopola per scorrere lungo un elenco e premere la manopola stessa per selezionare un elemento o per caricare una traccia sullo strato in evidenza. Premere due volte la manopola per caricare una traccia su entrambi gli strati ("instant doubles"). In modalità di visualizzazione Performance, girare questa manopola per zoomare sull'onda di una traccia e uscire dallo zoom. Tenere premuta la manopola per regolare la griglia dei beat (si veda [Operazione > Vista Performance](#) per maggiori dettagli sulla regolazione della griglia dei beat).
- View/Preferences/Utility:** premere questo tasto per commutare tra la visualizzazione della libreria e quella della traccia. Tenere premuto questo tasto per entrare nella finestra Preference (preferiti) e Utility (utilità).
Tenere premuto **Shift** e premere questo tasto per commutare tra la visualizzazione delle onde a strato singolo o a strato doppio sul **touchscreen**. Si può anche tenere premuto **Shift** e poi premere e mantenere premuto questo tasto per scambiare le posizioni dei deck.
- Shortcuts** (scorciatoie): premere questo tasto per un accesso rapido a un breve menu sulla riproduzione e sulle opzioni di visualizzazione.



Comandi di riproduzione e trasporto

- Layer** (strato): premere questo tasto per attivare la focalizzazione sugli strati dell'SC6000 PRIME.
- Piatto:** questo piatto capacitivo e sensibile al tatto controlla la testina audio quando la rotella viene toccata e spostata. Quando il tasto **Vinyl** è acceso, muovere il **piatto** per effettuare lo "scratch" della traccia come si farebbe con un disco in vinile. Quando il tasto **Vinyl** è spento (o se si tocca solo il lato del **piatto**), muovere il **piatto** per regolare temporaneamente la velocità della traccia.
- Display del piatto:** questo display mostra informazioni sulle prestazioni, inclusa la posizione corrente della testina, le dimensioni dell'auto loop e la grafica dell'album. Per maggiori informazioni, si veda [Operazione > Panoramica Display del Piatto](#).
- Wheel Adjust** (regolazione rotella): girare questa manopola per vedere quanto il piatto è resistente alle regolazioni. Questa manopola applica un freno al piatto per impedire deviazioni involontarie dovute a vibrazioni ambientali derivanti dalle frequenze dei bassi, all'instabilità della superficie, ecc.
- Stop Time** (tempo di arresto): controlla la velocità alla quale la traccia rallenta fino ad arrestarsi completamente ("tempo di frenata") quando la si mette in pausa premendo **Play/Pause** (▶/||).

15. **Vinyl** (Vinile): premere questo tasto per attivare/disattivare una “modalità vinile” per il piatto. Quando è attivato, è possibile utilizzare il **piatto** per effettuare lo “scratch” della traccia come si farebbe con un disco in vinile.
16. **Play/Pause** (▶/||): questo tasto interrompe momentaneamente o fa riprendere la riproduzione.
Tenere premuto **Shift** e premere questo tasto per riprodurre la traccia con un effetto “stutter” dal punto cue iniziale.
17. **Cue**: Durante la riproduzione, premere questo tasto per far tornare la traccia al suo punto cue iniziale e interrompere la riproduzione. Per spostare il punto cue iniziale, assicurarsi che la traccia sia in pausa, muovere il piatto per collocare la testina audio nel punto desiderato, quindi premere questo tasto. Se il deck è in pausa, tenere premuto questo tasto per riprodurre temporaneamente la traccia dal punto cue iniziale. Lasciare la pressione, per far tornare la traccia al punto cue iniziale e interromperne temporaneamente la riproduzione. Per continuare la riproduzione senza tornare al punto cue iniziale, tenere premuto questo tasto, quindi premere e tenere premuto il tasto Play e rilasciare entrambi i tasti.
Durante la riproduzione, tenere premuto **Shift** e premere questo tasto per impostare il punto cue iniziale.
18. **Track Skip** (salta traccia): premere uno di questi tasti per passare alla traccia precedente o successiva.
Premere il tasto **Previous Track** durante la pausa di una traccia per tornare all’inizio della traccia stessa.

Comandi Sync & Pitch

19. **Fader del pitch**: muovere questo fader per regolare la velocità (pitch) della traccia. Si può regolare il suo intervallo complessivo tenendo premuto **Shift** e premendo uno dei tasti **Pitch Bend**.
Importante: se Sync è attivato, spostando il fader del pitch dell’unità SC6000 PRIME “master” cambierà la velocità di tutte le unità sincronizzate, mentre spostando il fader del pitch delle altre unità non succederà nulla.
20. **Pitch Bend** -/+ : tenere premuto uno di questi tasti per ridurre o aumentare (rispettivamente) momentaneamente la velocità della traccia.
Tenere premuto **Shift**, quindi premere uno di questi tasti per impostare l’intervallo del fader del pitch.
21. **Key Lock/Pitch Reset**: premere questo tasto per attivare o disattivare Key Lock. Quando Key Lock è attivo, il tasto traccia rimarrà lo stesso anche se se ne regola la velocità.
Tenere premuto **Shift** e premere questo tasto per riportare la traccia alla sua tonalità originale, indipendentemente dalla posizione del **fader del pitch** o delle modifiche effettuate tramite il menu di modifica tonalità.
22. **Sync/Sync Off**: premere questo tasto per attivare la sincronizzazione.
Per sincronizzare due o più unità SC6000 PRIME, premere **Sync** sull’unità che si desidera che controlli il BPM, che diventa “master”. Dopo aver attivato la sincronizzazione su quella unità, premere **Sync** sulle ulteriori unità. Il tempo di ciascuna unità si sincronizzerà immediatamente per abbinarsi al tempo dell’unità master.
Per disattivare Sync, premere nuovamente il tasto **Sync** oppure tenere premuto **Shift** e premere **Sync**, a seconda dell’impostazione della **Sync Button Action** sotto **Preferences**.
23. **Master**: premere questo tasto per impostare questa unità SC6000 PRIME come quella che controlla il tempo master. Tutte le unità SC6000 PRIME collegate con funzione Sync attivata utilizzeranno questo tempo. Se si ferma il “master” SC6000 PRIME, l’SC6000 PRIME a suonare più a lungo nell’impianto diventerà automaticamente il nuovo “master” (a meno che l’impostazione non venga modificata manualmente).

Comandi prestazioni

24. **Shift**: tenere premuto questo pulsante per accedere alle funzioni secondarie di altri comandi.
25. **Slip**: premere questo tasto per abilitare o disabilitare la modalità slip. In modalità Slip si può passare a punti cue, utilizzare il piatto o mettere in pausa la traccia mentre la timeline della traccia va avanti (la parte inferiore dell’onda a display continuerà ad avanzare). In altre parole, quando si interrompe qualsiasi azione, verrà ripresa la normale riproduzione della traccia dal punto in cui si sarebbe trovata se non fosse mai stato fatto nulla (ossia, come se la traccia avesse continuato a suonare).
26. **Censor/Reverse**: premere questo tasto per attivare o disattivare la funzione Censor: la riproduzione della traccia sarà invertita, ma quando si lascia il tasto, la riproduzione normale riprenderà da dove sarebbe stata se non fosse mai stata attivata la funzione Censor (vale a dire come se la traccia fosse stata riprodotta in avanti per tutto il tempo).
Tenere premuto **Shift** e premere questo tasto per invertire la riproduzione della traccia normalmente. Premere nuovamente questo tasto per far tornare la riproduzione nella normale direzione in avanti.
27. **Pad performance**: questi pad hanno funzioni diverse su ciascun deck a seconda della modalità pad corrente. Si veda **Operazione > Esibizioni > Modalità pad** per maggiori informazioni.
28. **Hot Cue**: premere questo tasto per entrare in modalità Hot Cue.
29. **Loop**: premere questo tasto una volta per entrare in modalità Loop Manuale. Premerlo ancora una volta per entrare in modalità Loop Automatico.
30. **Roll**: premere questo tasto per entrare in modalità Roll.
31. **Slicer**: Premere questo tasto una volta per entrare in modalità Slicer e premerlo nuovamente per entrare in modalità Slicer Loop.
32. **Parametro** ◀/▶: servirsi di questi tasti per varie funzioni in ciascuna modalità pad. Si veda **Operazione > Esibizioni > Modalità pad** per maggiori informazioni.
33. **Loop In/Loop Out**: premere uno di questi tasti per creare un punto di Loop In o di Loop Out nella posizione corrente. La loro collocazione sarà influenzata dalle impostazioni di **Quantize** e **Smart Loops**. Si veda **Operazione > Configurazioni > Shortcuts (scorciatoie)** per maggiori informazioni.

34. **Auto Loop/Loop Move:** girare questa manopola per impostare le dimensioni di un loop automatico. Il valore verrà illustrato sul **touchscreen** e sul display del piatto.

Premere questa manopola per attivare o disattivare un loop automatico nella posizione corrente della traccia.

Suggerimento: in modalità di loop manuale si possono assegnare loop automatici ai pad. Si veda [Operazione > Esibizioni > Modalità pad](#) per maggiori informazioni.

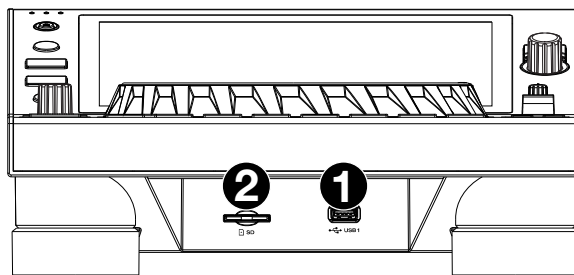
Tenere premuto **Shift** e girare questa manopola per spostare il loop attivo a sinistra o a destra.

35. **Beat Jump:** premere uno di questi tasti per saltare indietro o avanti lungo la traccia. Servirsi della manopola **Auto Loop** per determinare la misura del salto di beat.

Tenere premuto **Shift**, quindi premere uno di questi tasti per riavvolgere o avanzare lungo la traccia.

Pannello anteriore

1. **Porta USB anteriore:** collegare un drive USB standard a questa porta USB. Quando si seleziona quel drive USB come sorgente (premere il tasto **Source**), si può utilizzare il display per selezionare e caricare tracce sul drive USB. Sul pannello posteriore sono inoltre presenti due porte USB simili. Si può utilizzare il cavo di prolunga USB in dotazione per adattare drive USB più grandi o più piccole.
2. **Slot scheda SD:** inserire una scheda SD standard in questa slot. Quando si seleziona quella scheda SD come sorgente (premere il tasto **Source**), si può utilizzare il display per selezionare e caricare tracce sulla scheda SD stessa.



Pannello posteriore

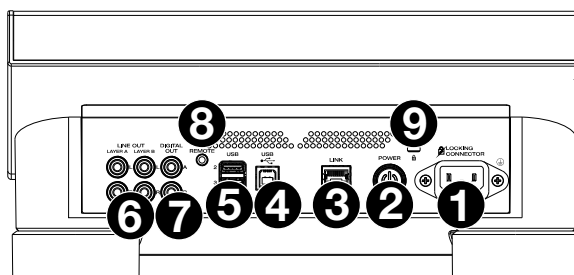
1. **Ingresso di alimentazione:** servirsi del cavo di alimentazione bloccante in dotazione per collegare questo ingresso ad una presa di alimentazione. Per rimuovere il cavo di alimentazione, premere verso il basso la linguetta gialla, quindi estrarre il cavo dall'ingresso. È anche possibile utilizzare un cavo di alimentazione IEC standard al posto del cavo di alimentazione bloccante in dotazione.

L'SC6000 PRIME è dotato di un circuito di protezione che consente di espellere in maniera sicura tutti i media in seguito a una perdita di potenza inattesa per proteggere i dati evitandone la corruzione. Ricollegare la fonte di alimentazione per tornare al funzionamento normale.

2. **Tasto di alimentazione:** premere questo tasto per accendere e spegnere l'SC6000 PRIME. Accendere l'SC6000 PRIME solo **dopo** aver collegato tutti i dispositivi di ingresso e prima di accendere amplificatori e casse. Spegnerli **prima** di spegnere l'SC6000 PRIME.

Tenere premuto questo tasto per 10 secondi per resettare l'SC6000 PRIME.

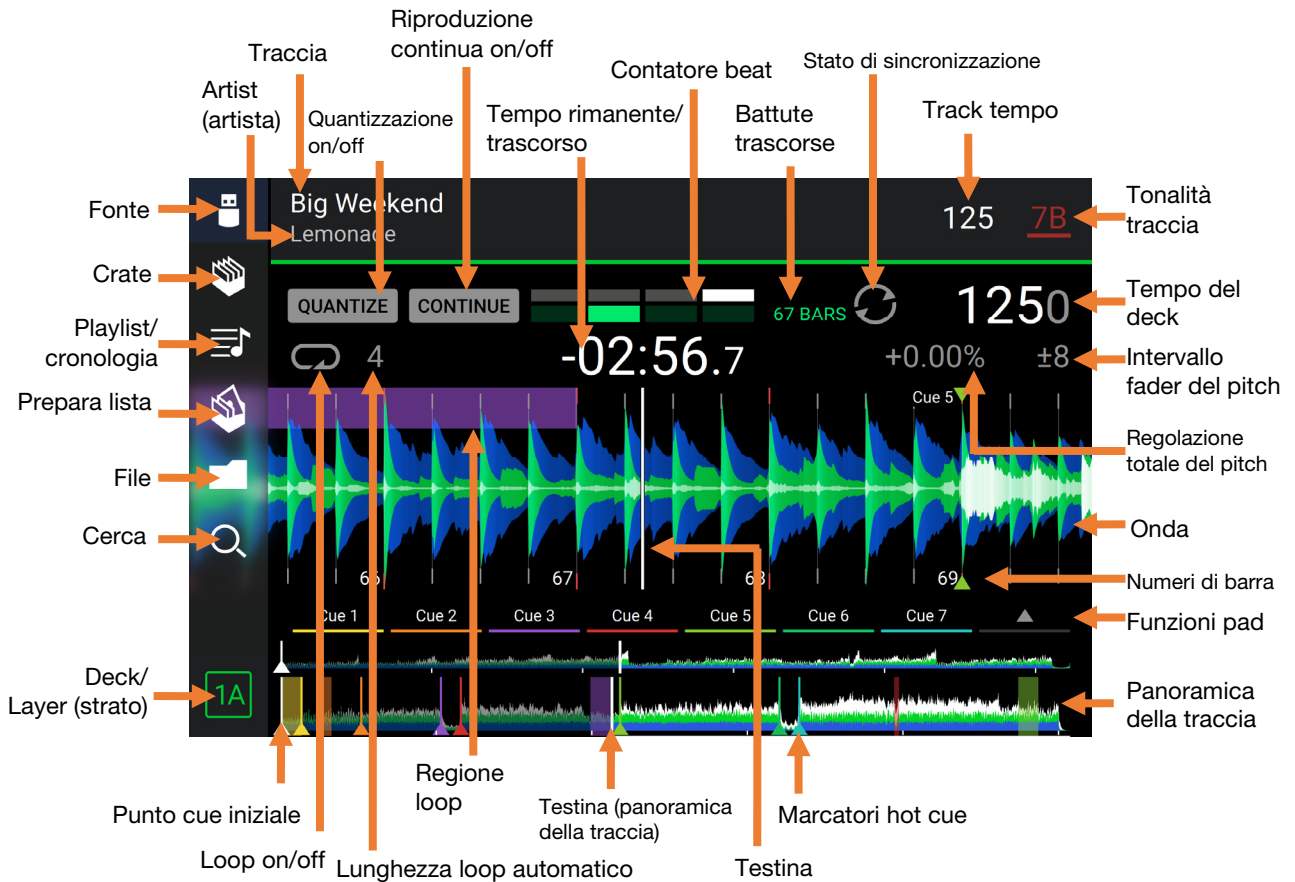
3. **Porta Link:** servirsi del cavo di rete in dotazione per collegare questa porta a un altro SC6000 PRIME o al mixer Denon DJ. Ciascun SC6000 PRIME presente nella rete può condividere database di tracce, tempi e informazioni sul BPM e altri dati tramite questo collegamento.
4. **Porta USB B:** servirsi di un cavo USB standard (in dotazione) per collegare questa porta USB a una porta USB disponibile del computer. Questo collegamento invia e riceve messaggi MIDI da e verso il computer.
5. **Porte USB posteriori 2/3:** collegare drive USB standard a queste porte USB. Quando si seleziona uno di quei drive USB come sorgente (premere il tasto **Source**), si può utilizzare il display per selezionare e caricare tracce sui drive USB stessi. Sul pannello anteriore è presente anche una porta USB simile.
6. **Uscite Layer A/B Outputs:** servirsi di cavi RCA standard per collegare queste uscite a un mixer DJ. Le uscite di linea **Layer A** inviano il segnale audio dal Layer A. Le uscite di linea **Layer B** inviano il segnale audio dal Layer B.
7. **Digital Outputs A/B:** servirsi di cavi digitali coassiali standard per collegare queste uscite da 24 bit/96 KHz a dispositivi e mixer quali il Denon DJ X1850 PRIME.
8. **Ingresso Remote:** servirsi di un cavo start remoto standard per collegare questo ingresso all'uscita start remoto del mixer (se disponibile). Una volta collegati a un mixer compatibile con attivazione a distanza, spostando il crossfader verso il lato corrispondente a questo SC6000 PRIME (o alzando il fader di canale per il suo canale) si avvia automaticamente la traccia sullo strato correntemente selezionato.
9. **Slot per lucchetto Kensington®:** servirsi di questa apertura per fissare l'SC6000 PRIME a un tavolo o ad altre superfici.



Operazione

Panoramica touchscreen

Vista Performance



Passare il dito verso sinistra o verso destra sulla **panoramica della traccia** per scorrere lungo la traccia mentre questa è in pausa.

Nota bene: si può utilizzare questa funzione durante la riproduzione se la funzione di blocco puntina (Needle Lock) è **off**. Se Needle Lock è **on**, assicurarsi che il piatto sia in modalità vinile (premere **Vinyl** in modo che sia acceso) e toccare la parte superiore del **piatto** facendo scorrere la panoramica della traccia. Si veda [Configurazione > Preferenze](#) per maggiori informazioni sulla funzione Needle Lock.

Allargare o stringere le dita sull'onda per zoomare ingrandendo o rimpicciolendo, rispettivamente. Alternativamente, girare la manopola **Select/Zoom**.

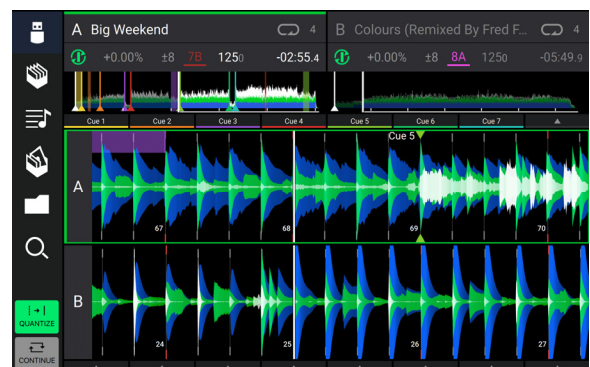
Toccare un'icona per selezionarla (ad es. le icone di Crate, Playlist, Prepara Lista, File Cerca sul lato sinistro).

Toccare un tasto per attivarlo o disattivarlo (ad es. i tasti **Quantize**, **Continue** o **Key Lock**).

Toccare il tempo per passare dal tempo trascorso al tempo rimanente.

Toccare il tasto per mostrare il menu Key Change, nel quale è possibile regolare la tonalità della traccia.

Tenere premuto Shift e premere il tasto View per commutare tra la visualizzazione delle onde a strato singolo o a strato doppio in Performance View.



Visualizzazione delle onde a strato doppio

È inoltre possibile mostrare o nascondere i comandi della griglia del beat in modalità di visualizzazione Performance. La griglia del beat viene individuata e impostata automaticamente quando la traccia viene analizzata.

Per mostrare i comandi della griglia del beat, tenere premuta la manopola **Select/Zoom** per un secondo. Sei tasti compariranno in fondo al display e i marcatori della griglia del beat compariranno sull'onda sonora.

Per azzerare la griglia del beat, toccare **Reset**.

Per far scorrere gli attacchi della griglia del beat a sinistra o destra (in incrementi di un beat), toccare rispettivamente i tasti < o > oppure girare la manopola **Select/Zoom**.

Per spostare/“far scorrere” liberamente la griglia del beat a sinistra o a destra, muovere il **piatto**.

Per dimezzare o raddoppiare il numero dei marker della griglia del beat, toccare rispettivamente **/2** o **X2**.

Per nascondere i comandi della griglia del beat, premere la manopola **Select/Zoom** oppure toccare **Done** sullo schermo tattile.

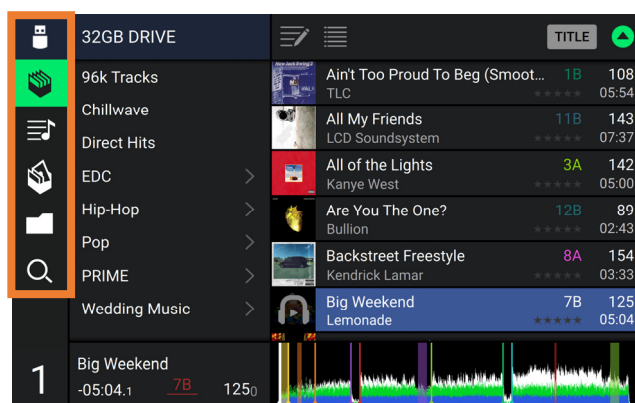
Browse View

Servirsi della vista di navigazione per visualizzare la libreria musicale e caricare una traccia sul deck. Si può inoltre effettuare una ricerca tra crate e playlist, aggiungere tracce a Prepara lista e cercare tra le tracce utilizzando le funzioni di classificazione e filtro.

Importante: Recarsi su denondj.com/downloads e trovare la sezione **DJ Software** per scaricare il software Engine PRIME.

Servirsi delle sei icone a sinistra per navigare in Browse View:

- **Fonte:** servirsi di questa opzione per selezionare il dispositivo sorgente da cui visualizzare le tracce, inclusi i dispositivi media connessi e i servizi di streaming e cloud disponibili. Toccare l'icona Fonte (Source) per mostrare l'elenco delle fonti disponibili, quindi toccare quella prescelta. Per abilitare i servizi di streaming, servirsi del menu **Utilità**.
- **Crate:** i crate sono collezioni di tracce organizzate come si desidera. Si possono avere crate per diversi generi o stili, per gli album di un determinato decennio, ecc. Si può utilizzare il software Engine PRIME in dotazione per creare crate da utilizzare qui.
- **Playlist/Cronologia:** le playlist sono liste di tracce sistemate in un ordine specifico. Si possono avere playlist per diversi tipi di locali o eventi, per generi specifici, ecc. Si può utilizzare il software Engine PRIME in dotazione per creare playlist da utilizzare qui. Questo è inoltre il punto in cui è possibile visualizzare la cronologia di riproduzione. Se non sono presenti playlist, a questo livello sarà illustrata solo la cronologia.
- **Prepara:** si possono caricare tracce in Prepara liste in modo da poterci tornare in un secondo momento quando si desidera riprodurle durante l'esibizione (anziché dover cercare nell'intera libreria la traccia da riprodurre).
- **File:** servirsi di questa opzione per scorrere lungo l'elenco di tutti i file presenti su un drive USB o in una scheda SD.
- **Search (cerca):** servirsi di questa opzione per cercare tra le tracce servendosi di una parola chiave. I risultati della ricerca sono basati su nome dell'album, nome dell'artista, nome della traccia, tonalità e tempo.



Toccare l'icona elenco in cima al display per commutare tra vista standard ed espansa.

Far scorrere un elenco verso l'alto o verso il basso per visualizzarlo (ad es. l'elenco dei crate, l'elenco delle playlist o l'elenco delle tracce). Alternativamente, premere i tasti **Back** (indietro) o **Forward** (avanti) per selezionare un elenco e quindi girare la manopola **Select/Zoom** (seleziona/carica). Tenere premuto **Shift** e girare questa manopola per scorrere rapidamente lungo l'elenco. Si può inoltre toccare e trascinare la barra di scorrimento sul bordo destro dell'elenco.

Toccare un'icona o un elemento dell'elenco per selezionarlo. Alternativamente, premere la manopola **Select/Zoom**.

Far scorrere una traccia verso destra per caricarla sul deck. Alternativamente, premere la manopola **Select/Zoom** o toccare due volte la traccia.

Far scorrere una traccia verso sinistra per aggiungerla a Prepara lista. Alternativamente, tenere premuto **Shift** e premere la manopola **Select/Zoom**. Far scorrere una traccia presente in Prepara lista verso sinistra per rimuoverla.

Toccare e tenere il dito su una traccia per visualizzare la finestra delle informazioni. Toccare la finestra delle informazioni per chiuderla.

Toccare la stampa della traccia per ascoltare un'anteprima della traccia stessa. Toccarla nuovamente per interrompere l'anteprima. Durante l'anteprima, toccare la traccia per scorrere lungo di essa.

Toccare il campo Cerca e utilizzare la tastiera che compare a display per cercare tra le tracce servendosi di una parola chiave. I risultati della ricerca sono basati su nome dell'album, nome dell'artista, nome della traccia, tonalità e tempo.

Panoramica display del piatto

Normalmente, il display del piatto mostra le seguenti informazioni:

- la posizione corrente della testina di riproduzione.
- la grafica dell'album della traccia corrente.

Il display del piatto mostra temporaneamente le seguenti informazioni:

- le dimensioni correnti di un loop automatico dopo aver girato la manopola **Auto Loop**.
- lo strato corrente dopo aver premuto il tasto **Layer**.
- la posizione della testina di riproduzione quando **Slip** è attivo.



Esibizione

Caricare e rimuovere tracce

Durante la visualizzazione di qualsiasi elenco di tracce:

Per caricare una traccia sul layer attualmente evidenziato sul deck, far scorrere la traccia verso destra. Alternativamente, premere la manopola **Select/Zoom** o toccare due volte la traccia.

Per effettuare "instant doubles" (ossia caricare la stessa traccia su entrambi i layer del deck), premere due volte la manopola **Select/Zoom** mentre la traccia è evidenziata.

Per aggiungere una traccia a Prepara lista, farla scorrere col dito verso sinistra. Alternativamente, tenere premuto **Shift** e premere la manopola **Select/Zoom**.

Per mostrare le informazioni di una traccia, toccarla e tenere il dito su di essa.

Mentre si visualizza la lista "Prepara":

Per rimuovere una traccia dalla lista "Prepara", farla scorrere col dito verso sinistra.

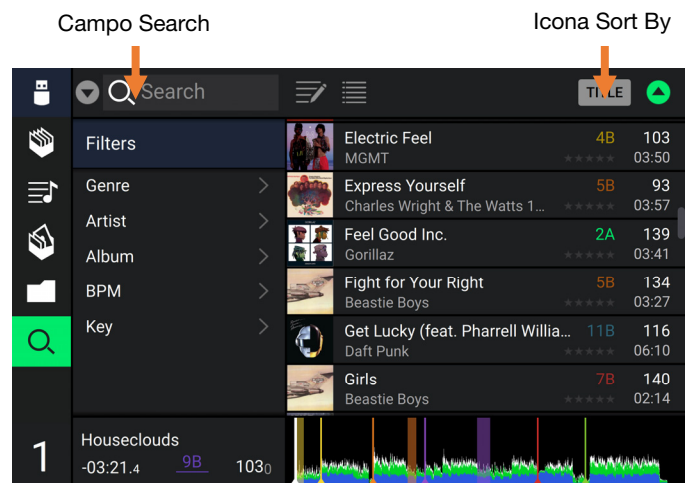
Per rimuovere tutte le tracce dall'elenco Prepara, toccare l'icona **Cancella lista** nell'angolo superiore destro del display.

Ricerca e filtro delle tracce

Per cercare, toccare il campo **Search** (cerca) e utilizzare la tastiera che compare a display. I risultati della ricerca sono basati sui seguenti criteri: nome dell'album, nome dell'artista, nome della traccia, tonalità e tempo.

Per nascondere la tastiera, toccare l'icona della **tastiera** nell'angolo inferiore destro della tastiera virtuale. Alternativamente, toccare lo schermo in qualsiasi punto che non sia la tastiera o il campo cerca.

Per filtrare le tracce, toccare **Genre**, **Album**, **Artist**, **Key**, o **BPM**, quindi toccare una delle opzioni disponibili. Verranno visualizzate unicamente le tracce etichettate con quel determinato genere, album, artista, tonalità o BPM. (In via predefinita la tonalità è annotata utilizzando il sistema Camelot.)



Nota bene: si possono anche utilizzare le Preferenze per impostare se si desidera visualizzare unicamente le tracce con la stessa tonalità o tracce con tonalità compatibile oltre alla "tolleranza" del filtro BPM (per includere tracce con tempi entro 1–15 BPM della selezione). Si veda [Configurazione > Preferenze](#) per saperne di più.

Per riordinare l'elenco dei risultati, toccare l'icona **Sort By** nell'angolo superiore destro, quindi toccare una delle opzioni disponibili. Toccare l'icona della **freccia** accanto a questa per commutare tra ordine ascendente e discendente.

Riproduzione e cueing

Per riprodurre o interrompere momentaneamente la riproduzione di una traccia, premere **Play/Pause** (▶/||).

Per effettuare lo scratch di una traccia, premere **Vinyl** in modo che sia acceso, quindi muovere il **piatto**.

Per impostare il punto cue iniziale, premere **Shift+Cue** nel punto desiderato durante la riproduzione.

Per tornare al punto cue iniziale e fermarsi, premere **Cue**. Il tasto lampeggia mentre l'apparecchio è in pausa al punto cue.

Per tornare al punto cue iniziale e continuare la riproduzione, premere **Shift+Play/Pause** (▶/||).

Per invertire la riproduzione, premere **Shift+Censor/Reverse**. Quando la riproduzione è invertita, il tasto lampeggia.

Per tornare alla riproduzione normale, premere **Censor/Reverse**.

Per censurare la riproduzione, tenere premuto **Censor**.

Per tornare alla riproduzione normale, lasciare il tasto **Censor**. La riproduzione normale riprende dal punto in cui si sarebbe trovata se la funzione Censor non fosse mai stata attivata (ossia, come se la traccia avesse continuato a suonare).

Per saltare alla traccia precedente o successiva, premere uno dei tasti **Track Skip** ◀/▶.

Per tornare all'inizio di una traccia, premere **Track Skip** ◀◀ durante la pausa della traccia.

Per scorrere rapidamente lungo la traccia, tenere premuto **Shift** e quindi premere uno dei tasti **Beat Jump**.

Per attivare o disattivare la modalità **Slip**, premere **Slip**. In modalità Slip si può passare a punti cue, utilizzare i piatti o mettere in pausa la traccia mentre la timeline della traccia va avanti (la parte inferiore dell'onda a **touchscreen** continuerà ad avanzare). Quando si interrompe qualsiasi azione, verrà ripresa la normale riproduzione della traccia dal punto in cui si sarebbe trovata se non fosse mai stato fatto nulla (ossia, come se la traccia avesse continuato a suonare).

Per saltare a un punto specifico della traccia:

- Se il blocco della puntina è **disattivo**: toccare il punto desiderato nella panoramica della traccia.
- Se il blocco della puntina è **attivo**: mettere in pausa la riproduzione e toccare il punto desiderato nella panoramica della traccia. Alternativamente, assicurarsi che il **piatto** si trovi in modalità Vinile (premere **Vinyl** in modo che si illumini), toccare la parte superiore del **piatto** e toccare il punto desiderato nella panoramica della traccia.

Si veda [Configurazione > Preferenze](#) per maggiori informazioni sulla funzione Needle Lock.

Per **zoomare ingrandendo o rimpicciolendo l'onda**, collocare due dita sul display e allargarle o stringerle. Alternativamente, girare la manopola **Select/Zoom**.

Loop e salto del beat

Per creare e attivare un auto loop, premere la manopola **Auto Loop**.

Per impostare la lunghezza dell'auto loop, girare la manopola **Auto Loop** per selezionare il numero di beat: **1/32, 1/16, 1/8, 1/4, 1/2, 1, 2, 4, 8, 16, 32** o **64**.

Per creare e attivare un loop manuale, premere **Loop In** per impostare il punto di inizio, quindi premere **Loop Out** per impostare quello finale. Il loop verrà attivato immediatamente e sarà indicato come un'area ombreggiata nell'onda e nella panoramica della traccia.

Per disattivare un loop, premere la manopola **Auto Loop**.

Per spostare il loop, tenere premuto **Shift** e girare la manopola **Auto Loop** mentre il loop è attivo.

Per raddoppiare o dimezzare la lunghezza di un loop, girare la manopola **Auto Loop** quando il loop è attivo.

Per modificare manualmente l'inizio o la fine di un loop, premere rispettivamente **Loop In** o **Loop Out**, quindi muovere il piatto a destra o a sinistra per abbreviare o estendere la regione di loop. Fissare la modifica premendo nuovamente **Loop In** o **Loop Out**.

Per saltare il beat in una traccia, premere uno dei tasti **Beat Jump**. A ciascuna pressione si salta lungo la traccia della lunghezza di un auto loop, che può essere impostato girando la manopola **Auto Loop**.

Sincronizzazione e regolazione del pitch

Per attivare **sync**, premere **Sync** sull'unità che si desidera che controlli il BPM, che diventa "master". Dopo aver attivato la sincronizzazione su quella unità, premere **Sync** sulle ulteriori unità. Il tempo di ciascuna unità si sincronizzerà immediatamente per abbinarsi al tempo dell'unità master.

L'icona di stato Sync a display indicherà lo stato corrente.

- **Sync Off**: la sincronizzazione è disattivata.
- **Tempo Sync**: solo il tempo è sincronizzato (il BPM corrisponderà a quello dell'unità master).
- **Bar/Beat Sync**: il tempo sarà sincronizzato e la traccia sarà automaticamente abbinata per battuta o beat alla traccia sull'unità master, a seconda dell'impostazione in **Sync Mode**.

Per disattivare la sincronizzazione su un'unità **SC6000 PRIME**, premere **Shift+Sync**.

Per impostare un'unità SC6000 PRIME diversa come master, premere **Master**. Tutte le unità SC6000 PRIME collegate con funzione Sync attivata utilizzeranno il tempo di questa unità.

Per regolare il pitch della traccia, spostare il **fader del pitch**. Questo può essere fatto solo quando il deck non è sincronizzato.

Importante: se Sync è attivato, spostando il fader del pitch dell'unità SC6000 PRIME "master" cambierà la velocità di tutte le unità sincronizzate, mentre spostando il fader del pitch delle altre unità non succederà nulla.

Per regolare momentaneamente il pitch della traccia, tenere premuto uno dei tasti **Pitch Bend** -/+.

Per regolare l'intervallo del fader del pitch, tenere premuto **Shift** e premere uno dei tasti **Pitch Bend** -/+ per selezionare $\pm 4\%$, 8% , 10% , 20% , 50% o 100% .

Per riportare il pitch della traccia allo 0%, premere **Shift+Key Lock/Pitch Reset**. Il pitch della traccia tornerà al valore originale (0%) indipendentemente dalla posizione del fader del pitch.

Per regolare il tasto della traccia, toccare il tasto sullo schermo tattile per aprire il **menu Key Change**.

Modalità Pad

Gli 8 pad hanno diverse funzioni in ogni modalità. I tasti **Parametro** ◀/▶ creano regolazioni specifiche per ciascuna modalità pad.

Per entrare in ciascuna modalità pad, premere il tasto corrispondente: **Hot Cue**, **Loop**, **Roll** o **Slicer**.

Modalità Hot Cue



In modalità Hot Cue, è possibile utilizzare ciascun pad per saltare a un punto hot cue assegnato.

Suggerimento: si può utilizzare il software Engine PRIME per impostare il nome e assegnare colori ai punti hot cue. I nomi e i colori compariranno a display per riferimento.

Per assegnare un hot cue a un pad, premere un pad scarsamente illuminato nel punto della traccia desiderato. Il pad si accende quando un punto hot cue viene assegnato.

Per saltare a un punto hot cue, premere il pad corrispondente.

Per cancellare un punto hot cue da un pad, premere **Shift** e il pad desiderato. Il pad si spegne quando non ci sono punti hot cue assegnati.

Modalità Loop



In modalità Manual Loop è possibile utilizzare ciascun pad per attivare un loop assegnato. Premendo Loop per la prima volta si entra sempre in modalità di Loop manuale.

Suggerimento: si può utilizzare il software Engine PRIME per impostare e nominare i loop. I nomi compariranno a display per riferimento.

Per assegnare un loop a un pad e attivarlo, premere un pad scarsamente illuminato per creare un punto di Loop In nel punto corrente e premerlo nuovamente per creare il punto di Loop Out in un altro punto. È anche possibile assegnare un auto loop a un pad premendo un pad scarsamente illuminato quando ci si trova in auto loop. Il loop si attiva immediatamente e il pad si accende.

Per attivare un loop, premere il pad corrispondente. Una volta creato un loop, è possibile riattivarlo premendo nuovamente il pad corrispondente, a seconda dell'impostazione del comando **Saved Loop Behavior**.

Per cancellare un loop, premere **Shift** e il pad desiderato.

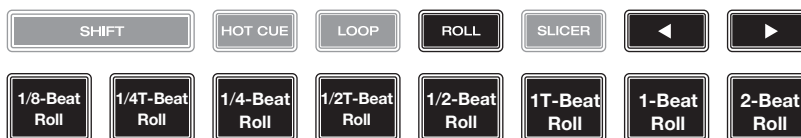
In modalità Auto Loop è possibile utilizzare ciascun pad per attivare un loop automatico. Premendo Loop quando ci si trova in modalità Manual Loop si entra in modalità Auto Loop.

Per attivare un auto loop, premere un pad. A display compare la lunghezza dell'auto loop per ciascun pad.

Per disattivare un auto loop, premere nuovamente il pad.

Modalità Roll

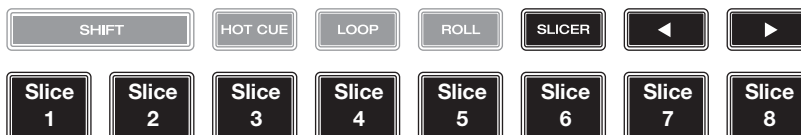
("T" denota una suddivisione di tempo basata su triplete)



In modalità Roll si può premere ciascun pad per attivare un "giro di loop" di una determinata lunghezza mentre la timeline della traccia va avanti (la parte inferiore dell'onda a display continuerà ad avanzare). Quando si rilascia il pad verrà ripresa la normale riproduzione della traccia dal punto in cui si sarebbe trovata se non fosse mai stato fatto niente (ossia, come se la traccia avesse continuato a suonare).

Per attivare un roll, premere il pad corrispondente. Pad con loop roll basati su terzine sono illuminati di viola.

Modalità Slicer



In modalità Slicer (prima pressione), gli 8 pad rappresentano 8 beat sequenziali, "slice", nella griglia del beat. Lo slice che viene riprodotto è rappresentato dal pad acceso; la luce si "sposta tra i pad" man mano che avanza attraverso ciascuna frase di 8 slice. Si può premere un pad per riprodurre quello slice. Quando si rilascia il pad verrà ripresa la normale riproduzione della traccia dal punto in cui si sarebbe trovata se non fosse mai stata premuta (ossia, come se la traccia avesse continuato a suonare).

Per riprodurre uno slice, premere il pad corrispondente.

Servirsi dei tasti **Parameter** per modificare la lunghezza delle ripetizioni.

In modalità Slicer Loop (seconda pressione), si attiva automaticamente un loop da 8 beat. Lo slice che viene riprodotto è rappresentato dal pad acceso; la luce si "sposta tra i pad" man mano che avanza attraverso ciascuna frase di otto Slice, che andrà in loop (questa è la differenza tra questa modalità e la modalità Slicer). Per riprodurre tale slice si può premere un pad. Quando si rilascia il pad verrà ripresa la normale riproduzione della traccia dal punto in cui si sarebbe trovata nel loop se non fosse mai stata premuta (ossia, come se la traccia avesse continuato a suonare).

Configurazione

Importante: tutte le voci nella schermata delle Scorciatoie (Shortcuts) sono anche presenti tra i Preferiti (Preferences). Se si cambia un'impostazione in una schermata, verrà modificata anche nell'altra.

Shortcuts (scorciatoie)

Per aprire la schermata Scorciatoie, premere **Shortcuts**.

Per chiudere la schermata Shortcuts, toccare la **X** nell'angolo superiore destro, oppure premere nuovamente **Shortcuts**.

Nella schermata **Scorciatoie**, toccare un'opzione per selezionarla:

- **Layer Color:** questa impostazione determina il colore dell'anello luminoso attorno al piatto per ciascuno strato. Toccare **A** o **B** al centro per selezionare lo strato, quindi toccare un colore per selezionarlo. L'anello luminoso cambierà colore immediatamente. Toccare la **X** per tornare alla schermata precedente.
- **Cue/Loop Quantization:** questa impostazione determina il grado di quantizzazione per funzioni basate sul tempo. Selezionare **1/8 beat**, **1/4 beat**, **1/2 beat**, **1 beat** o **4 beats**.
- **Sync Mode:** questa impostazione determina il grado di sincronizzazione applicato quando si preme il tasto Sync sull'SC6000 PRIME:
 - **Bar:** il tempo sarà sincronizzato e le battute della traccia saranno automaticamente abbinata a quelle della traccia presente sull'unità master (gli attacchi di ciascuna battuta saranno allineati).
 - **Beat:** il tempo sarà sincronizzato e il beat della traccia sarà automaticamente abbinato a quello della traccia presente sull'unità master.
 - **Tempo:** solo il tempo sarà sincronizzato (il BPM corrisponderà a quello del deck master).
- **Screen Brightness:** questa impostazione determina la luminosità del **touchscreen: Low, Mid, High** o **Max**. (bassa, media, alta o massima).
- **Player #:** questa impostazione determina il numero di questo lettore. Quando si seleziona un dispositivo sorgente da esplorare, questo numero compare accanto al nome del dispositivo a display.

Preferenze

Per aprire la schermata delle **Preferenze**, tenere premuto **View/Preferences/Utility** quindi toccare la scheda **Preferences**.

Per chiudere la schermata **Preferences**, toccare la **X** nell'angolo superiore destro, oppure premere nuovamente **View/Preferences/Utility**.

Nella schermata **Preferenze**, scorrere col dito verso l'alto o verso il basso per scorrere lungo le opzioni e toccare un'opzione per selezionarla:

Playback

- **Track Start Position:** questa impostazione determina la posizione di inizio di una traccia dopo il suo caricamento. Selezionare l'inizio effettivo del file (**Track Start**) o l'inizio individuato automaticamente di un segnale audio (**Cue Position**).
- **Default Speed Range:** queste impostazioni determinano l'intervallo del **fader del pitch**. Selezionare **±4%**, **8%**, **10%**, **20%** o **50%**.
- **Sync Mode:** questa impostazione determina il grado di sincronizzazione applicato quando si preme il tasto Sync sull'SC6000 PRIME:
 - **Bar:** il tempo sarà sincronizzato e le battute della traccia saranno automaticamente abbinati a quelle della traccia presente sull'unità master (gli attacchi di ciascuna battuta saranno allineati).
 - **Beat:** il tempo sarà sincronizzato e il beat della traccia sarà automaticamente abbinato a quello della traccia presente sull'unità master.
 - **Tempo:** solo il tempo sarà sincronizzato (il BPM corrisponderà a quello del deck master).
- **Sync Button Action:** questa impostazione determina il funzionamento del tasto **Sync** quando viene premuto.
 - **Toggle:** questa modalità consente di commutare tra attivazione e disattivazione della sincronizzazione (sync on e off) senza dover tenere premuto **Shift**.
 - **Shift Disable:** questa modalità richiede che **Shift** venga tenuto premuto per spegnere sync.
- **Pitch Control Type:** questa impostazione determina la funzione primaria dei tasti Pitch Bend. Selezionare **Pitch Bend** per mantenere la funzione primaria riducendo o aumentando momentaneamente il pitch, oppure selezionare **Range** per impostare quale funzione primaria la regolazione dell'intervallo del fader del pitch. La funzione non utilizzata come primaria sarà sempre disponibile tenendo premuto **Shift** e utilizzando i tasti **Pitch Bend**.

Cues/Loops

- **Cue/Loop Quantization:** questa impostazione stabilisce il grado di quantizzazione per le funzioni basate sul tempo: punti hot cue, loop e loop roll. Selezionare **1/8 beat**, **1/4 beat**, **1/2 beat**, **1 beat** o **4 beats**.
- **Paused Hot Cue Behavior:** questa impostazione determina il modo in cui i pad riprodurranno i rispettivi punti hot cue. Se impostata su **Momentary**, la riproduzione inizierà da un punto hot cue quando si preme e si mantiene premuto il relativo pad. Lasciare la pressione del pad per tornare al punto hot cue. Se impostata su **Trigger**, la riproduzione inizierà da un punto hot cue (e continuerà) quando si preme e si rilascia il relativo pad.
- **Default Loop Size:** questa impostazione stabilisce la dimensione predefinita di un loop automatico quando si carica una nuova traccia sul deck: **1**, **2**, **4**, **8** o **16 beat**.
- **Smart Loops:** questa impostazione determina se un loop manuale sarà espanso automaticamente o ridotto a una lunghezza convenzionale (ad es. 2 beat, 4 beat, 8 beat, ecc.) quando viene impostato o meno. Selezionare **On** o **Off**. Questa impostazione funziona indipendentemente dalla impostazione della quantizzazione.
- **Move Cue To Loop In:** questa impostazione determina se il **Cue Point** iniziale della canzone passerà automaticamente all'inizio di un loop (**On**), o rimarrà nella sua posizione corrente (**Off**).
- **Saved Loop Behavior:** questa impostazione determina l'azione dei loop dopo che sono stati salvati. Quando impostato su **Reloop**, premendo un pad con un loop salvato si riproduce nuovamente il loop. Quando impostato su **Disable**, premendo un pad con un loop salvato si spegne il loop.

Display

- **Track Title:** questa impostazione determina che i titoli delle tracce siano illustrati come il **Filename** (nome file) della traccia o come i suoi **Metadata** incorporati (tag).
- **Time Format:** questa impostazione determina se le regolazioni del pitch influenzeranno o meno il modo in cui il tempo della traccia viene visualizzato a display. Quando impostato su **Static**, il tempo della traccia corrisponde a punti della traccia come d'abitudine; la regolazione del pitch non influisce su di esso. Quando impostato su **Dynamic**, il tempo della traccia si regolerà automaticamente tenendo conto delle modifiche apportate al pitch. Ad esempio, se si imposta il fader del pitch su **-8%**, il tempo della traccia aumenterà in modo da essere più lungo dell'8%.
- **Track End Warning:** questa impostazione determina quanto tempo prima della fine di una traccia si desidera che l'SC6000 avvisi che questa si sta avvicinando alla fine. Se la traccia si trova sullo strato attualmente selezionato, l'anello del **piatto** e la **panoramica traccia** lampeggiano. Se la traccia si trova sullo strato opposto, il tasto **Layer** lampeggia.

- **On Air Mode:** questa impostazione modifica l'illuminazione dell'anello del piatto quando il fader canale presente sul mixer si trova in alto o in basso, indicando un deck attivo o "on air". Quando questa impostazione è su **On**, alzando il fader canale il colore del piatto cambia passando da **bianco** al colore selezionato. Quando questa impostazione è su **Off**, il colore selezionato dall'utente sarà sempre illustrato indipendentemente dalla posizione del fader canale.

Nota bene: ciò richiede una connessione a un mixer Denon DJ compatibile tramite Ethernet.

Safety

- **Lock Playing Deck:** questa impostazione determina se sarà possibile caricare una traccia sul deck o meno mentre viene riprodotta. Selezionare **On** o **Off**. Quando questa impostazione è attiva, il deck deve essere messo in pausa per potervi caricare una traccia.
- **Needle Lock:** questa impostazione determina se è possibile o meno toccare la **panoramica della traccia** nel display per saltare a quel punto della traccia durante la riproduzione. Selezionare **On** o **Off**. Si può utilizzare la panoramica della traccia mentre la riproduzione è interrotta, indipendentemente da questa impostazione. Alternativamente, assicurarsi che il piatto si trovi in modalità Vinile (premere Vinyl in modo che si illumini), toccare la parte superiore del piatto e toccare il punto desiderato nella panoramica della traccia.
- **Pad Lock:** questa impostazione determina se i pad e i tasti di modalità pad (**Hot Cue**, **Loop**, **Roll**, **Slicer**) sono abilitati o disabilitati. Selezionare **On** o **Off**.

Library

- **Key Notation:** questa impostazione determina il modo in cui i tasti della traccia vengono annotati a display. Si possono visualizzare le note come tutte **Sharps**, tutte **Flats**, **Open Key**, o **Camelot**.
- **Key Filter:** questa impostazione determina se il filtro **Key** mostra unicamente le tracce aventi la stessa tonalità (**Match**) o tracce con tonalità compatibili (**Compatible**).
- **BPM Range:** questa impostazione stabilisce i valori minimo e massimo del BPM che verranno utilizzati quando vengono analizzate le tracce: **BPM 58–115**, **68–135**, **78–155** o **88–175**.
- **BPM Filter Tolerance:** questa impostazione determina la "tolleranza" del filtro **BPM** in modo che sia possibile includere tracce con tempi che siano a un piccolo intervallo dal tempo selezionato. Selezionare **±0**, **1**, **2**, **3**, **5**, **10** o **15**.
- **Collection Browse Behavior:** questa impostazione determina il comportamento di navigazione quando si utilizza la Libreria. Quando impostato su **Select**, toccando una playlist, un crate o una cartella questi ultimi vengono selezionati e per aprirli occorre un doppio tocco. Quando impostato su **Open**, toccando una playlist, un crate o una cartella, questi vengono aperti.

Deck Colors

- **Deck Layer Colors:** questa impostazione determina il colore dell'anello luminoso attorno al piatto per ciascuno strato su ciascun lettore. Toccare la freccia accanto ad **A** o **B** per selezionare lo strato, quindi toccare un colore per selezionarlo. L'anello luminoso cambierà colore immediatamente. Toccare la **X** per tornare alla schermata precedente.

Utilità (utility)

Per aprire la schermata delle **Utilità**, tenere premuto **View/Preferences/Utility**, quindi toccare la scheda **Utility**.

Per chiudere la schermata **Utilità**, toccare la **X** nell'angolo superiore destro, oppure premere nuovamente **View/Preferences/Utility**.

Nella schermata **Utilità**, scorrere col dito verso l'alto o verso il basso per scorrere lungo le opzioni e toccare un'opzione per selezionarla:

Device Settings

- **Player #:** questa impostazione determina il numero di questo lettore. Quando si seleziona un dispositivo sorgente da esplorare, questo numero compare accanto al nome del dispositivo a display.
- **Layer B:** stabilisce se l'SC6000 PRIME utilizzerà entrambi gli strati del deck (**On**) o solo uno (**Off**).
- **Wi-Fi:** questa impostazione determina se il Wi-Fi sarà abilitato (**On**) o disabilitato (**Off**).
- **Wi-Fi Settings:** utilizzare questa opzione per aprire il menu di connessione del Wi-Fi e collegarsi a una rete wireless.
- **Nudge Sensitivity:** determina il livello di sensibilità al momento di muovere i piatti: **Low**, **Mid**, **High** o **Max**.
- **Track Preview:** Quando attiva, il **Track Preview** mostrerà un tasto di riproduzione per ogni traccia nella libreria, permettendo alle tracce di essere ascoltati nel cue senza caricare una traccia sul deck. Seleziona **On** (Attiva) o **Off** (Disattiva).
- **Screen Brightness:** questa impostazione determina la luminosità del display principale: **Low**, **Mid**, **High** o **Max**. (bassa, media, alta o massima)

Streaming Services

Servirsi di queste opzioni per abilitare o disabilitare i collegamenti a servizi di streaming partner. Quando impostato su **On**, il servizio selezionato sarà disponibile sotto **Source**.

Cloud Services

Servirsi di questa opzione per ottenere il database della propria libreria Engine da un servizio di archiviazione in cloud. È necessario prima utilizzare il software Engine PRIME per sincronizzare il database. Quindi, quando questa opzione è su **On**, il servizio selezionato sarà disponibile sotto **Source** e sarà possibile accedere ai file tramite una connessione a Internet stabilita.

Nota bene: si raccomanda di utilizzare solo USB 3.0 di brand di alta qualità o schede SD di Classe U1 o U3 come drive sorgente, soprattutto quando i servizi in cloud sono abilitati.

Device Info

- **Model:** indica il nome del prodotto.
- **Firmware Version:** questa è la versione corrente del sistema operativo dell'Engine dell'unità. Toccare **Check For Updates** per vedere se è disponibile un aggiornamento firmware per l'SC6000 PRIME (richiede una connessione a Internet).
- **SC6000 Controller:** questa è la versione corrente del firmware del controller dell'unità.
- **SC6000 Display:** questa è la versione corrente del firmware del display dell'unità.
- **Reset all settings to default:** premere **Reset** per ripristinare le impostazioni predefinite di fabbrica del proprio dispositivo.

Update

- **Update Firmware:** servirsi di questa opzione per riavviare l'SC6000 PRIME in modalità di aggiornamento, che consente di aggiornare il firmware. Seguire le istruzioni di aggiornamento del firmware incluse con il pacchetto di aggiornamento del firmware scaricato.

Legal Info

- **Informazioni legali:** servirsi di questa opzione per visualizzare il Denon DJ EULA e l'elenco dei brevetti.

Benutzerhandbuch (Deutsch)

Einführung

Vielen Dank für den Kauf des SC6000 PRIME. Wir von Denon DJ wissen, wie wichtig Ihnen die Musik ist. Darum entwerfen wir unsere Geräte stets nur mit einem einzigen Ziel vor Augen: Ihre Performance so gut wie möglich zu unterstützen.

Features:

- 25,6 cm HD-Display mit Multitouch-Gesten
- 24-Bit/96 kHz verlustfreier Digitalausgang
- Eingebaute Wi-Fi und LAN-Internetverbindung für Musik-Streaming
- Dual-Layer-Wiedergabe mit unabhängigen analogen & digitalen Ausgängen
- 21,6 cm-Jog Wheel mit Spannungsanpassung und HD-Farbdisplay
- Wiedergabe von unkomprimierten Audioformaten (FLAC, ALAC, WAV)
- On-Board-Analyse von Musikdateien & Sammlungsverwaltung
- Branchenführende Algorithmen für Zeitdehnung und Tonartenänderung/-synchronisation
- Zu den Medieneingängen gehören: (3) USB-, SD- und interner SATA-Laufwerkschacht
- Reaktionsschnelle Gummitasten und multifunktionale Performance-Pads
- LAN-Ausgang zum Verbinden von Playern und zum Steuern von Pro-DJ-Licht und -Video
- Verriegelter IEC-Stecker für ein gesichertes Stromkabel

Lieferumfang

SC6000 PRIME

(2) RCA-Audiokabel (Stereo)

USB-Kabel

USB-Verlängerungskabel

Netzkabel

Netzkabel

Reinigungstuch

Software-Download-Karte

Benutzerhandbuch

Sicherheits- und Garantiehandbuch

Kundendienst

Für die neuesten Informationen zu diesem Produkt (Dokumentation, technische Daten, Systemanforderungen, Informationen zur Kompatibilität etc.) und zur Produktregistrierung besuchen Sie bitte: denondj.com.

Für zusätzlichen Produkt-Support besuchen Sie denondj.com/support.

Produktregistrierung

Ihr Produkt enthält möglicherweise exklusive Software und/oder Werbeaktionen, auf die Sie nur zugreifen können, wenn Sie Ihr neues Produkt auf der Denon DJ-Website registrieren.

Um die Berechtigung zu prüfen und auf die verfügbaren Inhalte zuzugreifen, registrieren Sie Ihr Produkt bitte anhand der folgenden Anweisungen:

1. Besuchen Sie denondj.com und klicken Sie auf **Account**.
2. Klicken Sie auf **Sign In**, um auf Ihr vorhandenes Konto zuzugreifen oder erstellen Sie ein neues Konto.
3. Klicken Sie nach der Anmeldung auf **Register New Product**.
4. Geben Sie die Seriennummer des Produkts in das Feld ein und klicken Sie auf **Check Serial**.
5. Füllen Sie das Formular aus und klicken Sie auf **Register Your Product**.
6. Nach erfolgreicher Registrierung werden alle zutreffenden Software-Downloads, exklusiven Inhalte und Werbeangebote in Ihrem Konto angezeigt.

Setup

Wichtig: Möglicherweise werden wir die Firmware für SC6000 PRIME gelegentlich aktualisieren, um nützliche neue Funktionen und Verbesserungen hinzuzufügen. Besuchen Sie insbesondere nach einer Aktualisierung Ihrer Software denondj.com/downloads, um zu sehen, ob Firmwareupdates verfügbar sind, (Firmwareupdates können neue Softwarefunktionen betreffen).

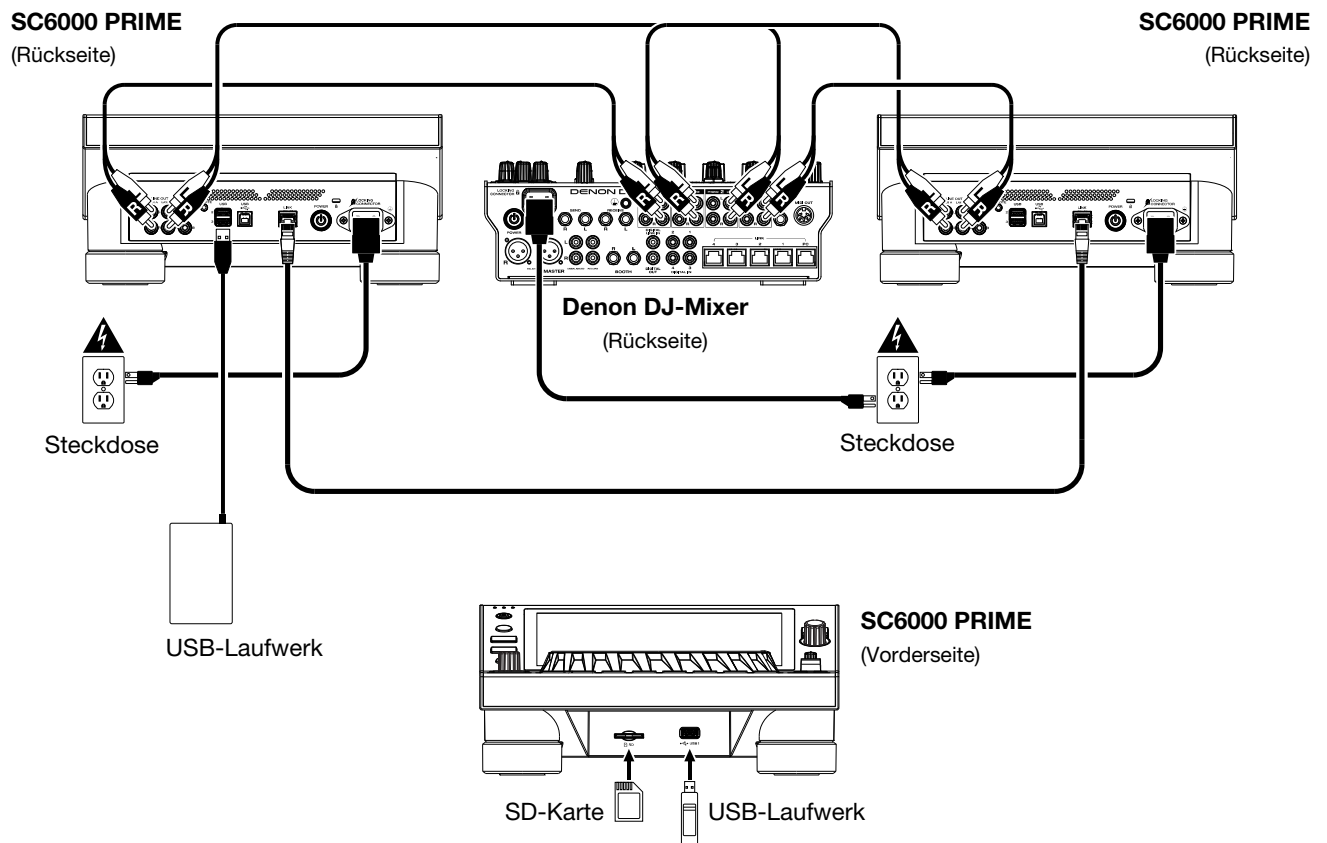
1. Besuchen Sie denondj.com/downloads und suchen Sie den Abschnitt **DJ Software**, um die Engine PRIME-Software herunterzuladen.
2. Doppelklicken Sie auf die heruntergeladene Installationsdatei **.exe** (Windows®) oder **.dmg** (macOS®), und befolgen Sie die Anweisungen auf dem Bildschirm, um Engine PRIME zu installieren.
3. Stellen Sie sicher, dass alle Geräte **ausgeschaltet** sind, bzw. dass alle Lautstärken auf **Minimum** eingestellt sind.
4. Schließen Sie die Audioausgänge von SC6000 PRIME (**Layer A/B** oder **Digital Outputs A/B**) an den Eingängen des Mixers an.
5. Verbinden Sie die **Link**-Ports von SC6000 PRIME nach einem der folgenden Diagramm-Beispiele.
6. Schließen Sie beliebige Ausgabegeräte (Plattenspieler, Kopfhörer, Verstärker, Lautsprecher usw.) an die Ausgänge des Mixers an.
7. Schließen Sie all Ihre Geräte an Stromquellen an.
 - Beim Starten einer Sitzung schalten Sie **(1)** SC6000 und andere Eingangsquellen, Ihren Mixer **(2)** und danach die **(3)** Ausgabegeräte ein.
 - Beim Beenden einer Sitzung schalten Sie die **(1)** Ausgabegeräte, **(2)** Ihren Mixer und dann **(3)** SC6000 und andere Eingangsquellen ab.
8. **Zur Verwendung von Engine OS** (eigenständige Wiedergabe): Stecken Sie ein USB-Laufwerk oder eine SD-Karte (mit einer Engine-konfigurierten Musikbibliothek) in einen der **USB-Anschlüsse** oder **SD-Kartensteckplätze** von SC6000 PRIME ein.

Anschlusspläne

Artikel, die unter [Einführung > Lieferumfang](#) aufgeführt sind, sind separat erhältlich.

Beispiel 1

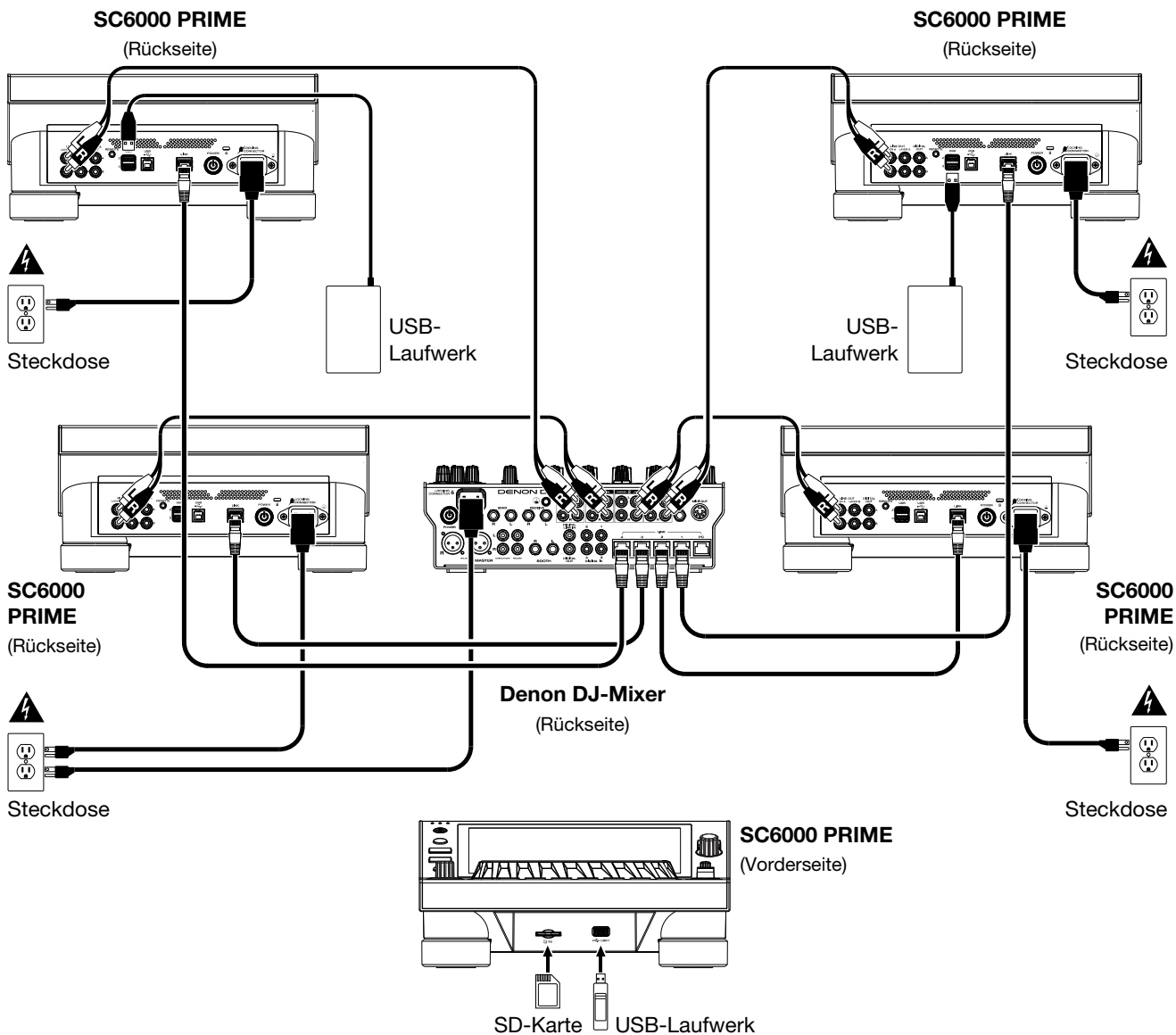
Dieses Beispiel zeigt 2 SC6000 PRIME-Einheiten mit ihren **Link**-Ports, die direkt miteinander verbunden sind.



Beispiel 2

Dieses Beispiel zeigt 4 SC6000 PRIME-Einheiten, deren **Link-Ports** an **Link-Ports 1-4** eines Denon DJ-Mixers angeschlossen sind. Alle 4 Einheiten sind über den Mixer vernetzt.

Hinweis: Wenn Sie einen anderen Mixer mit diesem Setup verwenden, verbinden Sie die **Link-Ports** aller vier SC6000 PRIME-Einheiten mit einem Ethernet-Hub statt mit dem Mixer.



RF-Warnung: Dies ist ein mobiles Gerät. Halten Sie einen Abstand von mindestens 20 cm zwischen der strahlenden Senderstruktur und Ihrem Körper bzw. anderen Personen in der Nähe ein.

Geräte- & Dateianalyse

SC6000 PRIME kann Musikdateien von USB-Laufwerken, SD-Karten oder anderen angeschlossenen SC6000 PRIME-Einheiten abspielen. Stellen Sie sicher, dass Sie nur die unterstützten Dateisysteme (für USB-Laufwerke oder SD-Karten) und Dateiformate (für Musik) verwenden, die unten aufgeführt sind.

Unterstützte Dateisysteme: exFAT, FAT32

Unterstützte Dateiformate: AAC/M4A	MP3 (32–320 kbit/s)
AIF/AIFF (44,1–192 kHz, 16–32-Bit)	MP4
ALAC	Ogg Vorbis
FLAC	WAV (44,1–192 kHz, 16–32-Bit)

Obwohl SC6000 PRIME Tracks abspielen kann, die noch nicht analysiert worden sind, ermöglicht die Voranalyse, dass die Funktionen effektiv arbeiten. Sie können Tracks auf eine von zwei Arten analysieren:

- **Laden Sie den Track auf SC6000 PRIME:** Wenn Sie einen Track für die Wiedergabe laden, analysiert SC6000 PRIME ihn automatisch (wenn es nicht bereits analysiert wurde). Dies kann einen Moment dauern, abhängig von der Länge des Tracks. Sie können die Wiedergabe des Tracks **sofort** starten, aber Sie müssen einen Moment warten, bis die Analyse beendet ist.
- **Verwenden der Engine PRIME-Software:** Die mitgelieferte Engine PRIME-Software kann eine Voranalyse Ihrer Musikbibliothek für die Verwendung mit SC6000 PRIME durchführen. Sie können damit auch Ihre Bibliothek organisieren, Ihre SC6000 PRIME-Hardwareeinstellungen verwalten u. Ä. (siehe [Betrieb](#), um mehr darüber zu erfahren).

Besuchen Sie denondj.com/downloads und suchen Sie den Abschnitt **DJ Software**, um die Engine PRIME-Software herunterzuladen.

Auswerfen eines USB-Laufwerks oder einer SD-Karte:

1. Stellen Sie sicher, dass keiner der Tracks auf einem angeschlossenen SC6000 PRIME-Gerät abgespielt wird.
2. Drücken Sie auf **Media Eject** (Medien auswerfen). Eine Liste der angeschlossenen Geräte erscheint in der **Touchscreen**.
3. Tippen Sie auf **Eject** auf dem Touchscreen neben dem Namen Ihres Geräts. Wenn ein Track auf dem Gerät aktuell abgespielt wird, werden Sie gefragt, ob Sie mit dem Auswerfen fortfahren möchten, wodurch der Track gestoppt wird. Tippen Sie auf **Cancel** (Abbrechen), um den Auswurf des Geräts abubrechen, oder tippen Sie auf „**OK**“, um es auszuwerfen.

Um weitere Geräte auszuwerfen, wiederholen Sie Schritt 3.

Um zum vorherigen Bildschirm zurückzukehren, drücken Sie erneut auf **Media Eject** (Medien auswerfen), oder tippen Sie auf das **X** in der oberen rechten Ecke.

Vernetzung

Sie können bis zu vier SC6000 PRIME-Einheiten miteinander vernetzen, sodass sie über diese Verbindung nahtlos Track-Datenbanken, Timing- und BPM-Informationen sowie andere Daten gemeinsam nutzen können.

Diese Funktion bietet viele Vorteile. Wenn Sie zum Beispiel Ihre vier SC6000 PRIME-Einheiten verwenden, können Sie eine davon zum Browsen durch **alle** Tracks auf **allen** Geräten (USB-Laufwerke und SD-Karten) nutzen, die an die SC6000-Einheiten angeschlossen sind. Sie können dann jeden dieser Track sofort abspielen, ohne ein Gerät von einer Einheit zur anderen wechseln zu müssen.

Um SC600 PRIME-Einheiten zu vernetzen, verwenden Sie die im Lieferumfang enthaltenen Netzkabel, und führen einen der folgenden Schritte aus:

- Wenn Sie nur zwei SC6000 PRIME-Geräte verwenden, verbinden Sie die beiden **Link**-Ports.
- Wenn Sie zwei oder mehrere SC6000 PRIME-Einheiten verwenden, verbinden Sie jeden ihrer **Link**-Ports mit einem **Link** Port (1-4) an Ihrem Denon DJ-Mixer.
- Wenn Sie zwei oder mehrere SC6000 PRIME-Einheiten verwenden, verbinden Sie jeden ihrer **Link**-Ports mit einem Ethernetanschluss an einem Router.

Das **Link**-Licht leuchtet auf, wenn die SC6000 PRIME-Einheit **ordnungsgemäß** an das Netzwerk angeschlossen ist.

Konfiguration

Der SC6000 PRIME verfügt über verschiedene Einstellungen, mit denen Sie die Wiedergabe anpassen und festlegen können, wie Informationen angezeigt werden.

Um ein Schnellmenü mit den am häufigsten verwendeten Einstellungen zu öffnen, drücken Sie **Shortcuts**.

Um die vollständige Liste der Einstellungen zu öffnen, halten Sie **View/Preferences/Utility** gedrückt.

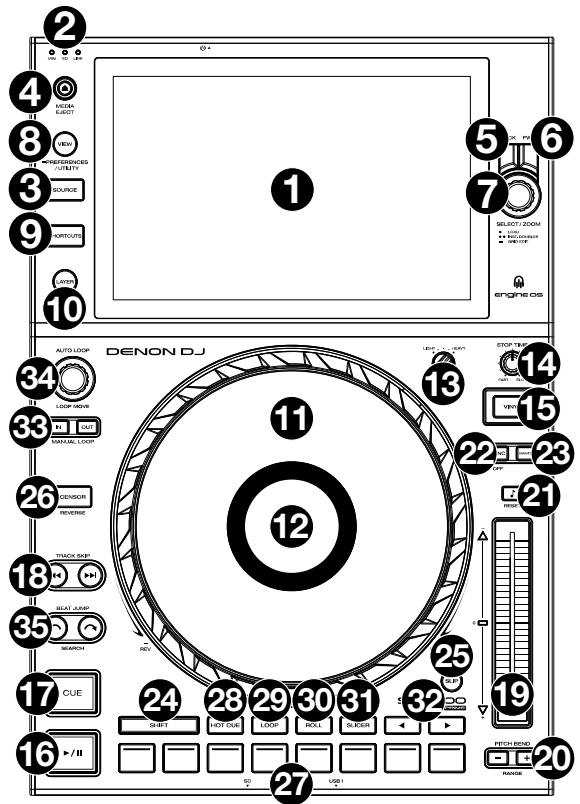
Siehe [Betrieb > Konfiguration](#), um mehr über diese Einstellungen zu erfahren.

Funktionen

Oberseite

Medienauswahl & Browsing

- Touchscreen:** Das Vollfarb-Multi-Touch-Display zeigt Informationen, die den aktuellen Betrieb des SC6000 PRIME betreffen. Tippen Sie auf das Display (und verwenden Sie die Hardware-Steuererelemente), um die Schnittstelle zu bedienen. Siehe [Betrieb > Touchscreen-Übersicht](#) für weitere Informationen.
- Medienauswahl:** Diese Lichter leuchten, um anzuzeigen, ob das entsprechende Medium angeschlossen ist: **USB**, **SD** oder **Link** (Netzwerk).
- Source (Quelle):** Drücken Sie diese Taste, um eine Liste der verfügbaren Geräte anzuzeigen, die über das **Touchscreen** mit dem SC6000 PRIME verbunden sind (andere vernetzte SC6000 PRIME-Einheiten, USB-Laufwerke, SD-Karten, Wi-Fi usw.). Tippen Sie auf ein Gerät in der Liste, um es auszuwählen.
- Media Eject (Medien auswerfen):** Drücken Sie diese Taste, um eine Liste der Geräte, die mit der SC6000 PRIME-Einheit verbunden sind, im **Touchscreen** anzuzeigen (d. h. USB-Laufwerke, die an die USB-Anschlüsse angeschlossen sind oder eine SD-Karte, die in den SD-Kartensteckplatz eingesteckt ist).
Um ein Gerät auszuwerfen, stellen Sie sicher, dass keiner der Tracks wiedergegeben wird. Tippen Sie anschließend auf **Eject** auf dem **Touchscreen** und befolgen Sie die Anweisungen.
- Back (Zurück):** Drücken Sie diese Taste, um zum vorherigen Fenster zu springen. Während Sie sich in der Performance-Ansicht befinden, drücken Sie diese Taste, um in die Browse-Ansicht zu wechseln.
- Forward (Vorwärts):** Drücken Sie diese Taste, um zum nächsten Fenster zu springen. Während Sie sich in der Performance-Ansicht befinden, drücken Sie diese Taste, um in die Browse-Ansicht zu wechseln.
- Select Load (Auswählen/Laden):** Drehen Sie in der Durchsuchen-Ansicht diesen Regler, um durch eine Liste zu scrollen und drücken Sie den Regler, um ein Element auszuwählen oder einen Track in die fokussierte Ebene zu laden. Drücken Sie den Regler zweimal, um einen Track auf beide Ebenen zu laden („Instant Doubles“).
Drehen Sie in der Performance-Ansicht diesen Regler, um die Wellenform eines Tracks zu vergrößern oder zu verkleinern. Halten Sie den Regler gedrückt, um das Beat-Grid anzupassen (weitere Informationen zum Anpassen des Beat-Grids finden Sie unter [Betrieb > Performance-Ansicht](#)).
- View/Preferences/Utility (Ansicht/Präferenzen/Utility):** Drücken Sie diese Taste, um zwischen Bibliotheksansicht und Track-Ansicht zu wechseln. Drücken und halten Sie diese Taste, um in das Fenster Präferenzen und Utility zu gelangen.
Halten Sie **Shift** gedrückt und drücken Sie diese Taste, um zwischen der Anzeige von einschichtigen oder zweischichtigen Wellenformen auf dem **Touchscreen** umzuschalten. Sie können auch **Shift** gedrückt halten und dann diese Taste gedrückt halten, um die Deckpositionen zu tauschen.
- Shortcuts:** Drücken Sie diese Taste, um schnell auf ein kurzes Menü mit Wiedergabe- und Anzeigeoptionen zuzugreifen.



Wiedergabe- und Transport-Bedienelemente

- Layer:** Drücken Sie diese Taste, um den Layer-Focus von SC6000 PRIME zu wechseln.
- Plattenteller:** Dieser kapazitive, berührungsempfindliche Plattenteller steuert den Abspielkopf, wenn der Plattenteller berührt und bewegt wird. Wenn die **Vinyl**-Taste eingeschaltet ist, können Sie den **Plattenteller** bewegen, um das „Scratchen“ einer Vinyl-Platte zu simulieren. Wenn die **Vinyl**-Taste ausgeschaltet ist (oder wenn Sie nur die Seite des **Plattentellers** berühren), können Sie den **Plattenteller** bewegen, um die Geschwindigkeit des Tracks anzupassen.
- Platter Display (Plattenteller-Display):** In dieser Anzeige werden für die Performance relevante Informationen angezeigt, einschließlich der aktuellen Position des Abspielkopfes, der Auto-Loop-Größe und des Albumcovers. Siehe [Betrieb > Plattenteller-Display-Übersicht](#) für weitere Informationen.
- Wheel Adjust (Plattenteller anpassen):** Drehen Sie diesen Regler, um festzulegen, wie anpassungsresistent der Plattenteller ist. Dieser Regler bremst den Plattenteller, um unbeabsichtigtes Driften aufgrund von Umgebungsvibrationen durch Bassfrequenzen, Oberflächeninstabilität usw. zu verhindern.
- Stop Time (Stoppzeit):** Legt fest, wie schnell der Track vollständig gestoppt wird („Bremszeit“), wenn er mit Wiedergabe/Pause (▶/II) pausiert wird.
- Vinyl:** Mit dieser Taste aktivieren/deaktivieren Sie einen „Vinyl-Modus“ für den Plattenteller. Wenn dieser aktiviert ist, können Sie den **Plattenteller** bewegen, um das „Scratchen“ einer Vinyl-Platte zu simulieren.

16. **Play/Pause** (Wiedergabe/Pause) (▶/||): Mit dieser Taste kann die Wiedergabe pausiert oder fortgesetzt werden. Halten Sie Umschalten gedrückt, und drücken Sie anschließend diese Taste, um den Track ab dem ursprünglichen Cue-Punkt mit einem „Stottereffekt“ zu versehen.
17. **Cue**: Drücken Sie während der Wiedergabe auf diese Taste, um den Track zum ursprünglichen Cue-Punkt zurückzusetzen und die Wiedergabe zu stoppen. Um den ursprünglichen Cue-Punkt zu bewegen, stellen Sie sicher, dass der Track pausiert ist, bewegen den Plattenteller, um den Audioabspielkopf an der gewünschten Stelle zu platzieren und drücken dann auf diese Taste. Wenn das Deck pausiert ist, können Sie diese Taste gedrückt halten, um den Track temporär ab dem ursprünglichen Cue-Punkt wiederzugeben. Das Loslassen der Cue-Taste bringt den Track zum ursprünglichen Cue-Punkt zurück und pausiert ihn. Um die Wiedergabe fortzusetzen ohne zum ursprünglichen Cue-Punkt zurückzuspringen, halten Sie diese Taste und dann die Wiedergabe-Taste gedrückt und lassen dann beide Tasten los. Halten Sie **Shift** während der Wiedergabe gedrückt und drücken Sie dann diese Taste, um den ursprünglichen Cue-Punkt festzulegen.
18. **Track Skip** (Track überspringen): Drücken Sie kurz eine dieser Tasten, um zum vorherigen oder nächsten Track zu springen. Drücken Sie die Taste **Previous Track** in der Mitte eines pausierten Tracks, um zum Anfang des Tracks zurückzukehren.

Sync- & Pitch-Anpassungen

19. **Pitch Fader**: Bewegen Sie diesen Fader, um die Geschwindigkeit (Pitch) des Tracks einzustellen. Sie können den gesamten Bereich durch Drücken und Halten von **Shift** (Umschalten) und Drücken einer der **Pitch Bend**-Tasten anpassen.
Wichtig: Wenn Sync aktiviert ist, ändert das Bewegen des Pitch Faders an der „Master“- SC6000 PRIME-Einheit die Geschwindigkeit aller synchronisierten Einheiten, während das Verstellen des Pitch Faders an anderen Einheiten nichts bewirkt.
20. **Pitch Bend** -/+ : Halten Sie eine dieser Tasten gedrückt, um das Tempo des Tracks vorübergehend (entweder) zu verringern oder zu erhöhen. Halten Sie **Shift** (Umschalten) gedrückt und drücken Sie anschließend eine dieser Tasten, um den Bereich des Pitch-Faders einzustellen.
21. **Key Lock/Pitch Zurücksetzen**: Drücken Sie diese Taste zum Aktivieren/Deaktivieren von Key Lock. Wenn Key Lock aktiviert ist, bleibt die Tonart des Tracks gleich, auch wenn Sie das Tempo anpassen. Halten Sie **Shift** gedrückt und drücken Sie diese Taste, um den Track auf die ursprüngliche Tonart zurückzusetzen, unabhängig von der Position des **Pitch-Faders** oder den Änderungen, die Sie über das Tonartänderungsmenü vorgenommen haben.
22. **Sync/Sync Off**: Drücken Sie diese Taste, um Sync zu aktivieren. Um zwei oder mehr SC6000 PRIME-Einheiten zu synchronisieren, drücken Sie Sync auf dem Gerät, mit dem Sie die BPM steuern möchten, welches dann zum "Master" wird. Wenn Sync auf diesem Gerät aktiviert ist, drücken Sie Sync auf allen weiteren Einheiten. Das Tempo jeder Einheit wird sofort synchronisiert, um dem Tempo der Mastereinheit zu entsprechen. Um die Synchronisierung zu deaktivieren, drücken Sie erneut die Taste **Sync** oder halten Sie **Shift** gedrückt und drücken Sie die Taste **Sync**, je nachdem, was in den **Präferenzen** unter **Sync Button Action** festgelegt wurde.
23. **Master**: Drücken Sie diese Taste, um diese SC6000 PRIME-Einheit als diejenige einzustellen, die das Mastertempo vorgibt. Alle angeschlossenen SC6000 PRIME-Einheiten mit aktiviertem Sync werden diesem Tempo folgen. Wenn Sie die „Master“- SC6000 PRIME-Einheit stoppen, wird die nun am längsten abspielende SC6000-Einheit im Setup automatisch der neue „Master“ (sofern Sie es nicht manuell ändern.)

Leistungsregler

24. **Shift** (Umschalten): Halten Sie diese Taste gedrückt, um auf sekundäre Funktionen anderer Bedienelemente zuzugreifen.
25. **Slip**: Drücken Sie diese Taste, um den Slip-Modus zu aktivieren/deaktivieren. Im Slip-Modus können Sie zu Cue-Punkten springen, den Plattenteller verwenden oder den Track pausieren, während die Track-Timeline fortgesetzt wird (die untere Hälfte der Wellenform im Display bewegt sich weiterhin). Mit anderen Worten: Wenn Sie eine gerade durchgeführte Aktion stoppen, nimmt der Track die normale Wiedergabe an jenem Punkt auf, an dem sich der Track befunden hätte, wenn Sie keine Aktionen durchgeführt hätten (praktisch als ob der Track einfach normal weitergespielt worden wäre).
26. **Censor/Reverse** (Sensor/Umkehren): Halten Sie diese Taste gedrückt, um die Censor-Funktion zu aktivieren/deaktivieren: Der Track wird rückwärts abgespielt, wenn Sie die Taste jedoch loslassen, wird der Track die normale Wiedergabe an jenem Punkt wieder aufnehmen, an dem sich der Track befinden würde, wenn Sie die Censor-Funktion nie aktiviert hätten (so als ob der Track einfach normal weitergelaufen wäre). Halten Sie **Shift** (Umschalten) gedrückt und drücken Sie diese Taste, um die Wiedergabe des Tracks normal umzukehren. Drücken Sie diese Taste erneut, um zur Wiedergabe in die normale Richtung zurückzukehren.
27. **Performance-Pads**: Je nach aktuellem Pad-Modus besitzen diese Pads auf jedem Deck unterschiedliche Funktionen. Siehe **Betrieb > Performance > Pad-Modi** für weitere Informationen.
28. **Hot Cue**: Drücken Sie diese Taste, um den Hot Cue-Modus aufzurufen.
29. **Loop**: Drücken Sie diese Taste einmal, um in den manuellen Loop-Modus zu gelangen. Drücken Sie diese Taste noch einmal, um in den automatischen Loop-Modus zu gelangen.
30. **Roll**: Drücken Sie diese Taste, um in den Roll-Modus zu gelangen.
31. **Slicer**: Drücken Sie diese Taste einmal, um in den Slicer-Modus zu gelangen. Drücken Sie sie erneut, um in den Slicer-Loop-Modus zu gelangen.
32. **Parameter** ◀/▶ : Diese Tasten haben in jedem Pad-Modus unterschiedliche Funktionen. Siehe **Betrieb > Performance > Pad-Modi** für weitere Informationen.
33. **Loop In/Loop Out**: Drücken Sie eine dieser Tasten, um an der aktuellen Position einen Loop In- oder Loop Out-Punkt zu erzeugen. Ihre Position wird durch die Einstellungen **Quantize** (Quantisieren) und **Smart Loops** beeinträchtigt. Siehe **Betrieb > Konfiguration > Shortcuts (Tastenkombinationen)** für weitere Informationen.

34. **Auto Loop/Loop Move (Auto Loop/Loop verschieben):** Drehen Sie diesen Regler, um die Größe eines automatischen Loops einzustellen. Der Wert wird im **Touchscreen** und Plattenteller-Display angezeigt.

Drücken Sie diesen Regler, um an der aktuellen Stelle im Track einen automatischen Loop zu aktivieren/deaktivieren.

Typ: Sie können Pads im manuellen Loop-Modus Auto-Loops zuweisen. Siehe [Betrieb > Performance > Pad-Modi](#) für weitere Informationen.

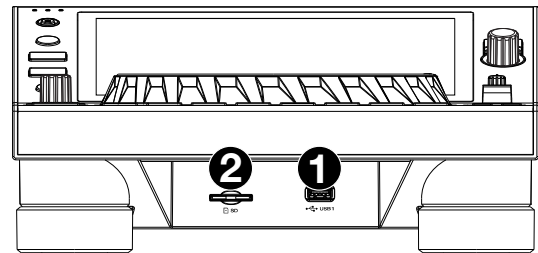
Halten Sie Umschalten gedrückt und drehen Sie diesen Regler, um den aktiven Loop nach links oder rechts zu verschieben.

35. **Beat Jump:** Drücken Sie eine dieser Tasten, um rückwärts oder vorwärts durch den Track zu springen. Verwenden Sie den Auto-Loop-Regler, um die Größe des Beat-Jump zu bestimmen.

Halten Sie **Shift** (Umschalten) gedrückt und drücken Sie eine dieser Tasten, um rückwärts oder vorwärts durch den Track zu navigieren.

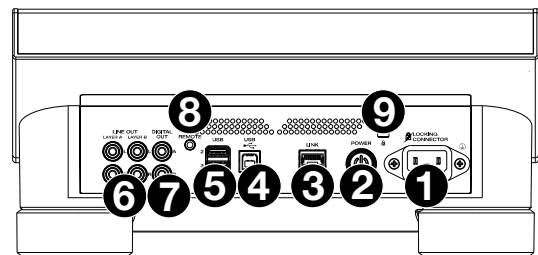
Vorderseite

- USB-Anschluss an der Vorderseite:** Schließen Sie einen Standard-USB-Stick an diesen USB-Anschluss an. Wenn Sie das USB-Laufwerk als Quelle wählen (drücken Sie die Taste **Source** (Quelle)), können Sie die Anzeige zum Auswählen und Laden von Tracks auf Ihrem USB-Laufwerk verwenden. Darüber hinaus gibt es auch zwei ähnliche USB-Anschlüsse auf der Rückseite. Sie können das mitgelieferte USB-Verlängerungskabel verwenden, um größere oder kleinere USB-Sticks zu nutzen.
- SD-Kartensteckplatz:** Stecken Sie eine Standard-SD-Karte in diesen Steckplatz. Wenn Sie die SD-Karte als Quelle wählen (drücken Sie die Taste **Source** (Quelle)), können Sie die Anzeige zum Auswählen und Laden von Tracks auf Ihrer SD-Karte verwenden.



Rückseite

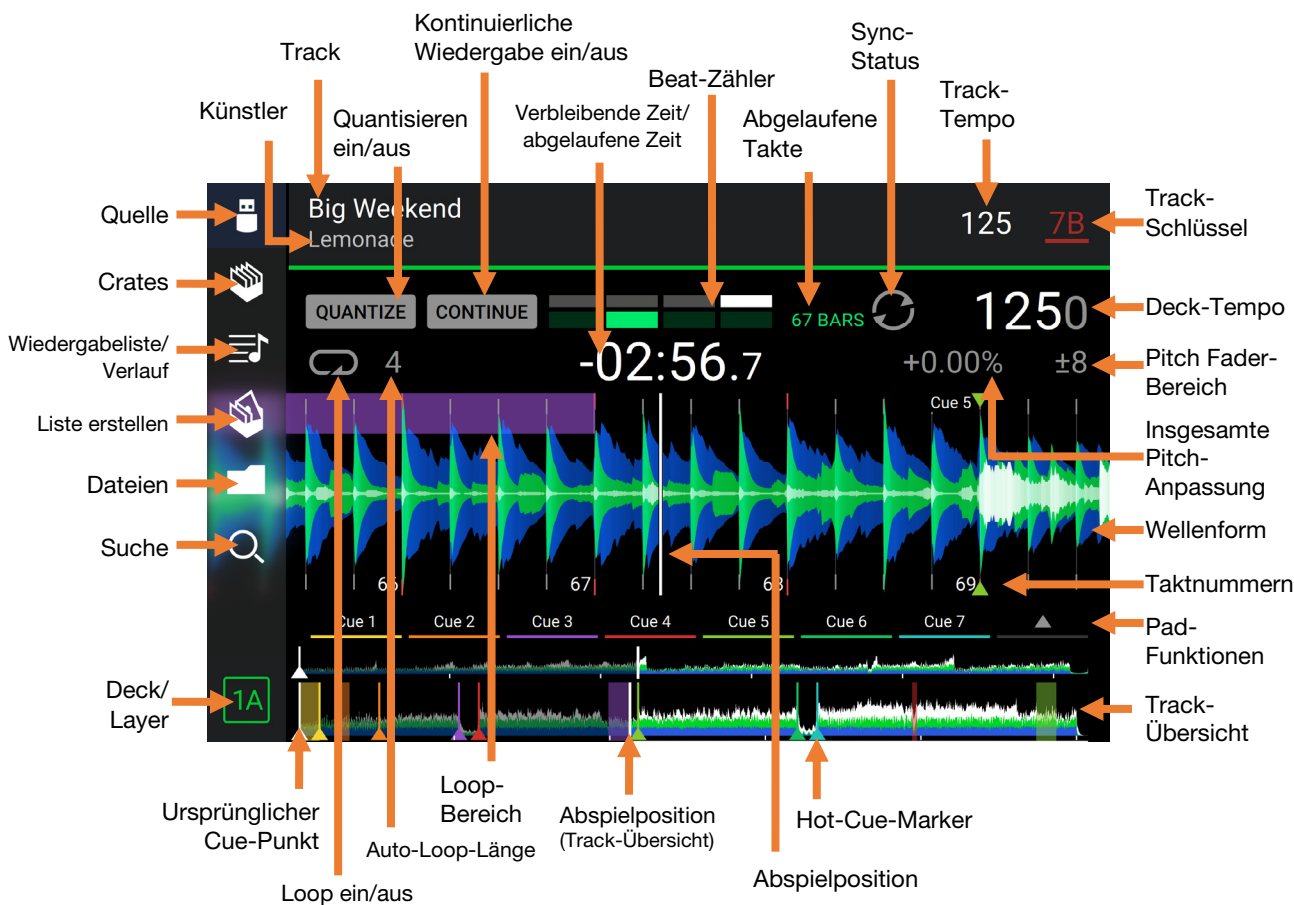
- Netzeingang:** Verwenden Sie das mitgelieferte, verriegelbare Netzkabel, um diesen Eingang mit einer Steckdose zu verbinden. Drücken Sie zum Entfernen des Netzkabels auf die gelbe Lasche und ziehen Sie das Kabel aus dem Eingang. Sie können anstelle des mitgelieferten verriegelbaren Netzkabels auch ein Standard-IEC-Netzkabel verwenden.
SC6000 PRIME verfügt über eine Schutzschaltung, die nach einem unerwarteten Stromausfall alle Medien sicher auswirft, um Ihre Daten vor Beschädigung zu schützen. Schließen Sie Ihre Stromquelle wieder an, um zum normalen Betrieb zurückzukehren.
- Netzschalter:** Drücken Sie diese Taste, um SC6000 PRIME ein- oder auszuschalten. Schalten Sie SC6000 PRIME erst ein, nachdem Sie all Ihre Eingabegeräte verbunden haben und bevor Sie Ihren Verstärker und Lautsprecher einschalten. Schalten Sie den Verstärker und Lautsprecher aus, bevor Sie das SC6000 PRIME ausschalten.
Drücken und halten Sie diese Taste für 10 Sekunden, um SC6000 PRIME zurückzusetzen.
- Link Port:** Verwenden Sie das mitgelieferte Netzkabel zum Anschließen dieses Ports an ein anderes SC6000 PRIME oder an Ihren Denon DJ-Mixer. Jede vernetzte SC6000 PRIME-Einheit kann Track-Datenbanken, Timing und BPM-Informationen sowie andere Track-Daten über diese Verbindung teilen.
- USB-B-Anschluss:** Verwenden Sie ein handelsübliches USB-Kabel (im Lieferumfang enthalten), um diesen Port mit einem freien USB-Port Ihres Computers zu verbinden. Diese Verbindung sendet und empfängt MIDI-Nachrichten vom Computer.
- Rückseitige USB-Anschlüsse 2/3:** Schließen Sie Standard-USB-Sticks an diese USB-Anschlüsse an. Wenn Sie eines der USB-Laufwerke als Quelle wählen (drücken Sie die Taste **Source** (Quelle)), können Sie die Anzeige zum Auswählen und Laden von Tracks auf Ihren USB-Laufwerken verwenden. Darüber hinaus gibt es einen ähnlichen USB-Anschluss auf der Vorderseite.
- Layer A/B Outputs (Layer A/B-Ausgänge):** Verwenden Sie handelsübliche Cinch-Audiokabel, um diese Ausgänge mit Ihrem DJ-Mixer zu verbinden. Die **Layer A**-Line-Ausgänge senden das Audiosignal von Layer A. Die **Layer B**-Line-Ausgänge senden das Audiosignal von Layer B.
- Digital Outputs A/B (Digitale Ausgänge A/B):** Verwenden Sie digitale Koaxialkabel, um diese 24-Bit-/96-KHz-Ausgänge an Geräte und Mixer, wie den Denon DJ X1850 PRIME-Mixer, anzuschließen.
- Remote Input (Datenferneingabe):** Verwenden Sie ein Standard-Fernstartkabel, um diesen Eingang mit dem Fernstartausgang Ihres Mixers (falls verfügbar) zu verbinden. Wenn eine Verbindung zu einem Fernstart-kompatiblen Mixer besteht, startet das seitliche Verschieben des Crossfaders, der diesem SC6000 entspricht (oder die Erhöhung des Channel-Faders für diesen Channel) automatisch den Track auf der gegenwärtig ausgewählten Layer.
- Kensington® Lock Slot:** Verwenden Sie diesen Slot, um das SC6000 PRIME an einem Tisch oder einer anderen Oberfläche zu befestigen.



Betrieb

Touchscreen-Übersicht

Performance-Ansicht



Streichen Sie auf der **Track-Übersicht nach links** oder **rechts**, um den Track zu scannen, während er pausiert.

Hinweis: Sie können diese Funktion während der Wiedergabe verwenden, wenn Needle Lock deaktiviert ist. Wenn Needle Lock aktiviert ist, stellen Sie sicher, dass der Plattenteller im Vinyl-Modus ist (drücken Sie Vinyl, sodass es aufleuchtet), und berühren Sie die Oberseite des Plattentellers, während Sie auf der Track-Übersicht streichen. Siehe [Konfiguration > Präferenzen](#), um mehr über Needle Lock zu erfahren.

Führen Sie Ihre Finger auf der Wellenform zusammen oder auseinander, um entsprechend zu verkleinern oder zu vergrößern. Alternativ drehen Sie den Select/Zoom (Auswählen-/Laden)-Regler.

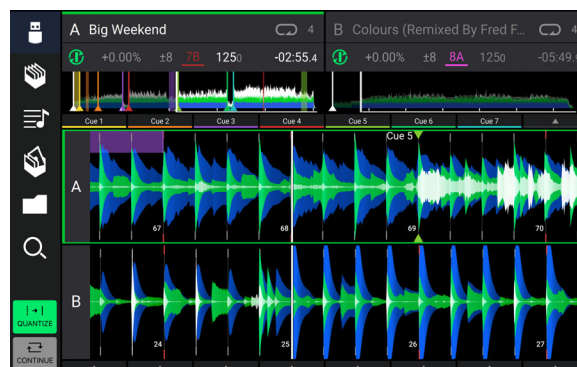
Tippen Sie auf ein Symbol, um es auszuwählen (z. B. die Symbole für Crates, Wiedergabelisten, Liste erstellen, Dateien oder Suche auf der linken Seite).

Tippen Sie auf eine Taste, um sie zu aktivieren oder zu deaktivieren (z. B. die Tasten **Quantize** (Quantisieren), **Continue** (Weiter) oder **Key Lock**).

Tippen Sie auf die Zeit, um zwischen der verstrichenen Zeit und der verbleibenden Zeit zu wechseln.

Tippen Sie auf die Taste, um das Tonartänderungsmenü anzuzeigen, in dem Sie die Tonart des Tracks anpassen können.

Halten Sie Shift gedrückt und drücken Sie die Taste View, um zwischen der Anzeige von einschichtigen oder zweischichtigen Wellenformen in der Performance-Ansicht umzuschalten.



Zweischichtigen Wellenformen

Sie können die Beat-Grid-Steuer-elemente in der Performance-Ansicht auch ein- bzw. ausblenden. Das Beat-Grid wird automatisch erkannt und festgelegt, wenn der Track analysiert wird.

Um die Beat-Grid-Bedienelemente anzuzeigen, halten Sie den **Select/Zoom**-Regler eine Sekunde lang gedrückt. Sechs Schallflächen erscheinen am unteren Rand des Displays. Auf der Wellenform werden die Beat-Grid-Marker angezeigt.

Um das Beat-Grid zurückzusetzen, tippen Sie auf **Reset**.

Um die Downbeats des Beat-Grid nach links oder rechts zu verschieben (in Ein-Schlag-Schritten), tippen Sie auf die Tasten < oder > bzw. drehen den **Select/Zoom**-Regler.

Um das Beat-Grid frei nach links oder rechts zu verschieben, bewegen Sie den **Plattenteller**.

Um die Anzahl der Beat-Grid-Marker zu halbieren oder zu verdoppeln, tippen Sie auf /2 oder X2.

Um die Beat-Grid-Steuer-elemente zu verbergen, drücken Sie den Regler **Select/Zoom** oder tippen Sie auf dem Touchscreen auf **Done**.

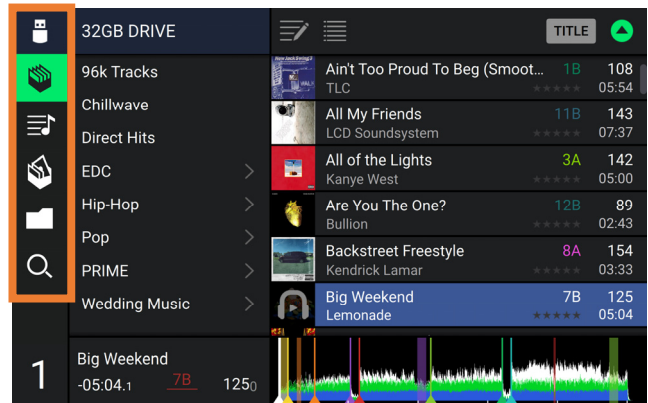
Browse-Ansicht

Verwenden Sie die Browse-Ansicht, um Ihre Musikbibliothek zu anzuschauen und einen Track auf dem Deck zu laden. Sie können auch Crates und Wiedergabelisten durchsuchen, Tracks zu „Liste erstellen“ hinzufügen und Ihre Tracks mit Sortieren und Filtern durchsuchen.

Wichtig: Besuchen Sie denondj.com/downloads und suchen Sie den Abschnitt **DJ Software**, um die Engine PRIME-Software herunterzuladen.

Verwenden Sie die sechs Symbole auf der linken Seite, um in der Durchsuchen-Ansicht zu navigieren:

- **Quelle:** Verwenden Sie diese Option, um das Quellgerät auszuwählen, von dem Tracks angezeigt werden sollen, einschließlich Ihrer angeschlossenen Mediengeräte und verfügbarer Streaming- und Cloud-Dienste. Tippen Sie auf das Quellensymbol, um die Liste der verfügbaren Quellen anzuzeigen. Tippen Sie anschließend auf eine Quelle, um sie auszuwählen. Verwenden Sie das Menü **Utility**, um Streaming-Dienste zu aktivieren.
- **Crates:** Ihre Crates sind Sammlungen von Tracks in beliebiger Reihenfolge. Sie können Crates für verschiedene Genres und Stile, für Alben von einem bestimmten Jahrzehnt usw. haben. Sie können die mitgelieferte Engine PRIME-Software zum Erstellen von Crates nutzen, die hier verwendet werden können.
- **Wiedergabeliste/Verlauf:** Ihre Wiedergabelisten sind Listen mit Tracks, die in einer gewünschten Reihenfolge angeordnet sind. Sie können Wiedergabelisten für verschiedene Clubs oder Veranstaltungen, für bestimmte Genres usw. haben. Sie können die mitgelieferte Engine PRIME-Software zum Erstellen von Wiedergabelisten nutzen, die hier verwendet werden können. Hier können Sie auch den Wiedergabeverlauf aufrufen. Wenn keine Wiedergabelisten vorhanden sind, wird nur der Verlauf in dieser Ansicht angezeigt.
- **Vorbereiten:** Sie können Tracks in der Vorbereitungsliste laden, sodass Sie sie später wiederfinden, wenn Sie sie bei Ihrer Performance abspielen möchten (anstatt Ihre gesamte Bibliothek nach dem nächsten Track zu durchsuchen).
- **Dateien:** Verwenden Sie diese Option, um die Liste aller Dateien auf einem USB-Laufwerk oder einer SD-Karte zu durchsuchen.
- **Suche:** Verwenden Sie diese Option, um Ihre Tracks nach Stichwörtern zu durchsuchen. Die Suchergebnisse basieren auf dem Namen des Tracks, Interpreten, Albums, des Tempos und der Tonart.



Tippen Sie auf das Listensymbol oben in der Anzeige, um zwischen Standard- und erweiterter Listenansicht umzuschalten.

Streichen Sie eine Liste nach oben oder unten, um sie zu durchsuchen (z. B. die Liste der Crates, Ihre Liste der Wiedergabelisten oder eine Liste der Tracks). Alternativ können Sie die Tasten **Back** (Zurück) oder **Forward** (Vorwärts) drücken, um eine Liste auszuwählen, dann drehen Sie den Regler **Select/Zoom** (Auswählen/Laden). Drücken und halten Sie **Shift** (Umschalten) gedrückt, und drehen Sie an dem Regler **Select/Zoom** (Auswählen/Laden), um schnell durch die Liste zu blättern. Sie können auch die Bildlaufleiste am rechten Rand der Liste antippen und ziehen.

Tippen Sie auf ein Symbol oder ein Element in einer Liste, um es auszuwählen. Alternativ drücken Sie den Auswählen-/Laden-Regler.

Streichen Sie einen Track nach rechts, um ihn im Deck zu laden. Alternativ können Sie den **Select/Zoom**-Regler drücken oder zweimal auf den Track tippen.

Streichen Sie einen Track nach links, um ihn in der Vorbereitungsliste zu laden. Drücken und halten Sie alternativ auf **Shift** (Umschalten) und halten die Taste, und drücken den Regler **Select/Zoom** (Auswählen/Laden). Streichen Sie einen Track in der Vorbereitungsliste nach links, um ihn zu entfernen.

Tippen und halten Sie den Finger auf einen Track, um das Informationsfenster anzuzeigen. Tippen Sie auf das Informationsfenster, um es zu schließen.

Tippen Sie auf das Titelbild, um eine Vorschau des Tracks anzuzeigen. Tippen Sie erneut darauf, um die Vorschau zu beenden. Tippen Sie während der Vorschau entlang des Trackeintrags, um den Track zu durchsuchen.

Tippen Sie auf das Suchfeld, und verwenden Sie die im Display angezeigte Tastatur, um Ihre Tracks nach Stichwörtern zu durchsuchen. Die Suchergebnisse basieren auf dem Namen des Tracks, Interpreten, Albums, des Tempos und der Tonart.

Plattenteller-Display-Übersicht

Das Plattenteller-Display zeigt normalerweise folgende Informationen an:

- die aktuelle Position des Abspielkopfes.
- die Albumgrafik des aktuellen Tracks.

Das Plattenteller-Display zeigt vorübergehend folgende Informationen an:

- die aktuelle Größe eines automatischen Loops nachdem Sie den Auto-Loop-Regler betätigt haben.
- die aktuelle Layer nachdem die Layer-Taste gedrückt wurde.
- die Position des sekundären Abspielkopfes, wenn Slip aktiv ist.



Performance

Laden und Entfernen von Tracks

Beim Anzeigen von Track-Listen:

Wischen Sie mit dem Finger nach rechts, um einen Track auf die Ebene zu laden, die sich gerade im Fokus des Decks befindet. Alternativ drücken Sie den –Regler **Select/Zoom** (Auswählen/Laden).

Um Instant Doubles auszuführen (denselben Track auf beide Deck-Ebenen laden), drücken Sie den zweimal den **Select/Zoom** -Regler, während der Track markiert ist.

Um der Vorbereitungsliste einen Track hinzuzufügen, wischen Sie den Track nach links. Drücken und halten Sie alternativ **Shift** (Umschalten), und drücken den Regler **Select/Zoom** (Auswählen/Laden).

Um die Informationen eines Tracks anzuzeigen, tippen und halten Sie den Finger darauf.

Beim Anzeigen der Vorbereitungsliste:

Um einen Track aus der Vorbereitungsliste zu entfernen, wischen Sie den Track nach links.

Um alle Tracks aus der Vorbereitungsliste zu entfernen, tippen Sie auf das Symbol **Liste Löschen** in der oberen rechten Ecke des Displays.

Suchen und Filtern von Tracks

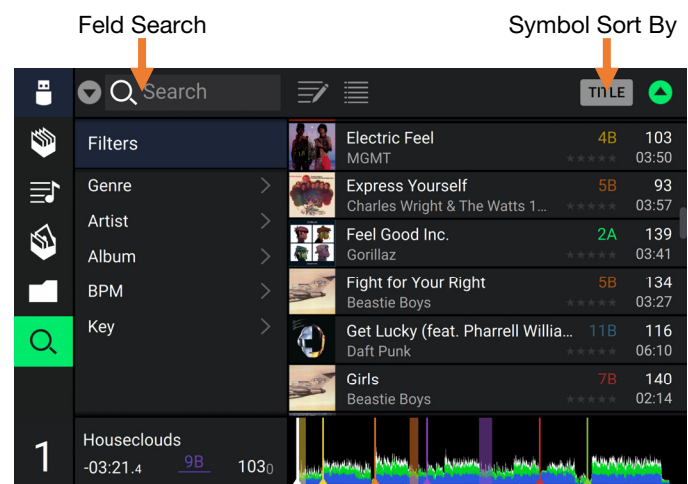
Tippen Sie **zum Suchen** auf das Feld **Search** (Suchen), und verwenden Sie die im Display angezeigte Tastatur. Die Suchergebnisse basieren auf den folgenden Kriterien: Tracknamen, Interpretennamen, Albumnamen, Tempo und Tonart.

Um die Tastatur auszublenden, tippen Sie auf das **Symbol Tastatur** in der rechten unteren Ecke der virtuellen Tastatur. Alternativ tippen Sie auf eine beliebige Stelle auf dem Bildschirm, mit Ausnahme der Tastatur oder des Suchfelds.

Um Ihre Tracks zu filtern, tippen Sie auf **Genre**, **Album**, **Artist**, **Key** oder **BPM**, und tippen Sie dann auf eine der verfügbaren Optionen. Nur Tracks, die mit dem Genre, Album, Interpret, der Tonart oder BPM gekennzeichnet sind, werden angezeigt. (Standardmäßig ist die Tonart mit dem Camelot-System notiert.)

Hinweis: Sie können auch die Präferenzen verwenden, um festzulegen, ob Sie Tracks mit der gleichen Tonart oder nur Tracks mit kompatiblen Tonarten sowie die „Toleranz“ des BPM-Filters anzeigen lassen möchten (auch Tracks mit Tempos innerhalb von 1-15 BPM der Auswahl). Siehe [Konfiguration > Präferenzen](#), um mehr zu erfahren.

Um die Ergebnisliste zu sortieren, tippen Sie oben rechts auf das Symbol **Sort By** und anschließend auf eine der verfügbaren Optionen. Tippen Sie auf das **Pfeilsymbol**, um zwischen aufsteigender und absteigender Reihenfolge zu wechseln.



Wiedergabe und Cueing

Um einen Track wiederzugeben bzw. anzuhalten, drücken Sie die Taste **Play/Pause** (Wiedergabe/Pause) (▶/||).

Um einen Track zu „scratches“, drücken Sie **Vinyl**, sodass es hell aufleuchtet, und dann bewegen Sie den Plattenteller.

Um den ursprünglichen Cue-Punkt zu erstellen, drücken Sie während der Wiedergabe an der gewünschten Stelle **Shift+Cue**.

Um an den ursprünglichen Cue-Punkt zurückzukehren und zu stoppen, drücken Sie **Cue**. Die Taste blinkt, während das Gerät am Cue-Punkt pausiert.

Um an den ursprünglichen Cue-Punkt zurückzukehren und weiterhin abzuspielen, drücken Sie **Shift+ Play/Pause** (▶/||).

Für die umgekehrte Wiedergabe drücken Sie **Shift+Tensor/Reverse**. Die Taste blinkt, während die Wiedergabe umgekehrt wird.

Um zur normalen Wiedergabe zurückzukehren, drücken Sie **Tensor/Reverse**.

Um die **Tensor-Funktion für die Wiedergabe zu verwenden**, drücken und halten Sie **Tensor**.

Um zur normalen Wiedergabe zurückzukehren, lassen Sie **Tensor** los. Die normale Wiedergabe wird dort fortgesetzt, wo sie gewesen wäre, wenn Sie die **Tensor-Funktion** nie verwendet hätten (d. h., als ob der Track die ganze Zeit abgespielt worden wäre).

Um zum vorherigen oder nächsten Track zu springen, drücken Sie eine der Tasten **Track Skip** (Track überspringen) ◀◀▶▶.

Um zum Anfang eines Tracks zurückzukehren, drücken Sie **Track Skip** (Track überspringen) in der Mitte eines pausierten Tracks.

Um einen Track schnell zu durchsuchen, halten Sie **Umschalten** gedrückt, und drücken Sie eine der **Beat Jump**-Schaltflächen.

Um den **Slip-Modus zu aktivieren oder deaktivieren**, drücken Sie **Slip**. Im Slip-Modus können Sie zu Cue-Punkten springen, die Plattenteller verwenden oder den Track pausieren, während die Track-Timeline fortgesetzt wird (die untere Hälfte der Wellenform im **Touchscreen** bewegt sich weiterhin). Wenn Sie eine gerade durchgeführte Aktion stoppen, nimmt der Track die normale Wiedergabe an jenem Punkt auf, an dem sich der Track befunden hätte, wenn Sie keine Aktionen durchgeführt hätten (d. h. als ob der Track einfach normal weitergespielt worden wäre).

Um zu einer bestimmten Stelle im Track zu springen:

- Falls **Needle Lock deaktiviert** ist: Tippen Sie in der Track-Übersicht auf die gewünschte Stelle.
- Falls **Needle Lock aktiviert** ist: Pausieren Sie die Wiedergabe und tippen Sie dann in der Track-Übersicht auf die gewünschte Stelle. Wahlweise stellen Sie sicher, dass sich der Plattenteller im **Vinyl-Modus** befindet (drücken Sie **Vinyl**, damit es leuchtet), berühren Sie den oberen Teil des Plattentellers und tippen Sie in der Track-Übersicht auf die gewünschte Stelle.

Siehe [Konfiguration > Präferenzen](#), um mehr über **Needle Lock** zu erfahren.

Um die Wellenform zu vergrößern oder zu verkleinern, platzieren Sie zwei Finger auf dem Display, und spreizen Sie sie oder führen Sie sie zusammen. Alternativ drehen Sie den Regler **Select/Zoom** (Auswählen/Laden).

Looping & Beat-Jumping

Drücken Sie den **Auto-Loop**-Regler, um ein **Auto-Loop zu erstellen und zu aktivieren**.

Drehen Sie den **Auto-Loop**-Regler, um die Anzahl der Beats auszuwählen und um die **Auto-Loop-Länge einzustellen**: 1/32, 1/16, 1/8, 1/4, 1/2, 1, 2, 4, 8, 16, 32, oder 64.

Um eine manuelle Schleife zu erstellen oder zu aktivieren, drücken Sie die Taste **Loop In**, um den Startpunkt festzulegen, und drücken Sie dann **Loop Out**, um den Endpunkt festzulegen. Der Loop wird sofort aktiviert und als schattierter Bereich in der Wellenform und der Track-Übersicht angezeigt.

Drücken Sie den **Auto-Loop**-Regler, um ein **Auto-Loop zu deaktivieren**.

Zum Verschieben des Loops halten Sie **Shift** (**Umschalten**) gedrückt und drehen Sie den **Auto-Loop**-Regler, während der Loop aktiviert ist.

Um die Länge des Loops zu verdoppeln oder zu halbieren, drehen Sie den **Auto-Loop**-Regler, während der Loop aktiviert ist.

Um den Anfang oder das Ende eines Loops manuell zu bearbeiten, drücken Sie auf **Loop In** oder **Loop Out** und bewegen Sie den Plattenteller nach links oder rechts, um den Loop-Bereich zu verkürzen oder zu erweitern. Bestätigen Sie die Bearbeitung durch erneutes Drücken von **Loop In** oder **Loop Out**.

Um einen **Beat-Jump in einem Track durchzuführen**, drücken Sie eine der **Beat-Jump**-Tasten. Jedes Drücken der Taste überspringt eine **Auto-Loop-Länge**, die Sie durch Drücken des **Auto-Loop**-Reglers einstellen können.

Sync- & Pitch-Anpassungen

Um Sync zu aktivieren, drücken Sie **Sync** auf dem Gerät, mit dem Sie die BPM steuern möchten, welches dann zum "Master" wird. Wenn **Sync** auf diesem Gerät aktiviert ist, drücken Sie Sync auf allen weiteren Einheiten. Das Tempo jeder Einheit wird sofort synchronisiert, um dem Tempo der Mastereinheit zu entsprechen.

Das Sync-Status-Symbol im Display zeigt den aktuellen Status an:

- **Sync Aus:** Synchronisierung ist deaktiviert.
- **Tempo Sync:** Nur das Tempo wird synchronisiert (BPM wird der Mastereinheit angepasst).
- **Bar/Beat Sync:** Das Tempo wird synchronisiert und der Track wird abhängig von der Einstellung des **Sync Mode** automatisch mit dem Track auf der Master-Einheit takt- oder beatangepasst.

Um Sync an einer SC6000 PRIME-Einheit zu deaktivieren, drücken Sie **Shift+Sync**.

Um eine andere SC6000 PRIME-Einheit als Master festzulegen, drücken Sie Master. Alle angeschlossenen SC6000 PRIME-Einheiten mit aktiviertem Sync werden dem Tempo dieser Einheit folgen.

Zum Anpassen der Tonhöhe des Tracks verschieben Sie den **Pitch Fader**. Sie können dies nur durchführen, wenn das Deck nicht synchronisiert ist.

Wichtig: Wenn Sync aktiviert ist, ändert das Verschieben des Pitch Faders an der „Master“-SC6000 PRIME-Einheit die Geschwindigkeit aller synchronisierten Einheiten, während das Verstellen des Pitch Faders an anderen Einheiten nichts bewirkt.

Um den Pitch des Tracks vorübergehend anzupassen, halten Sie die Pitch Bend +/--Tasten gedrückt.

Um den Bereich des Pitch Faders anzupassen, halten Sie **Shift** (Umschalten) gedrückt und drücken Sie eine der Pitch Bend +/--Tasten, um +4 %, 8 %, 10 %, 20 %, 50 % oder 100 % auszuwählen.

Um den Pitch des Tracks wieder auf 0 % zu stellen, drücken Sie **Shift+Key Lock/Pitch Reset**. Der Pitch des Tracks kehrt, unabhängig von der Position des Pitch Faders, zum ursprünglichen Pitch (0 %) zurück.

Um die Tonart des Tracks anzupassen, tippen Sie auf die Taste auf dem **Touchscreen**, um das **Tonartänderungsmenü** zu öffnen.

Pad-Modi

Die 8 Pads haben in jedem Pad-Modus unterschiedliche Funktionen. Die **Parameter** ◀/▶-Tasten nehmen für jeden Pad-Modus spezifische Einstellungen vor.

Um in die Pad-Modi zu gelangen, drücken Sie die entsprechende Taste: **Hot Cue**, **Loop**, **Roll** oder **Slicer**.

Hot-Cue-Modus



Im Hot Cue-Modus können Sie jedes Pad verwenden, um zu einem zugewiesenen Hot-Cue-Punkt zu springen.

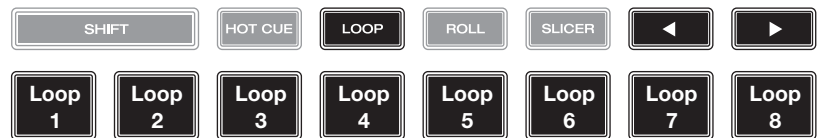
Tipp: Sie können die Engine PRIME-Software verwenden, um für Ihre Hot-Cue-Punkte Farben einzustellen, zu benennen und zuzuweisen. Die Namen und Farben erscheinen in der Anzeige als Referenz.

Um einem Pad einen Hot Cue zuzuweisen, drücken Sie ein schwach beleuchtetes Pad an der gewünschten Stelle im Track. Das Pad leuchtet auf, wenn ein Hot-Cue-Punkt zugeordnet ist.

Um zu einem Hot-Cue-Punkt zu springen, drücken Sie das entsprechende Pad.

Um einen Hot-Cue-Punkt von einem Pad zu löschen, drücken Sie **Shift** (Umschalten) und das gewünschte Pad. Das Pad wird ausgeschaltet, wenn ihm kein Hot-Cue-Punkt zugeordnet ist.

Loop-Modi



Im manuellen Loop-Modus können Sie jedes Pad verwenden, um einen zugewiesenen Loop zu aktivieren. Wenn Sie Loop zum ersten Mal drücken, gelangen Sie immer in den manuellen Loop-Modus.

Tipp: Sie können die Engine PRIME-Software zum Einstellen und Benennen Ihrer Loops verwenden. Die Namen erscheinen in der Anzeige als Referenz.

Um einem Pad einen Loop zuzuweisen und es zu aktivieren, drücken Sie auf ein schwach beleuchtetes Pad, um an der aktuellen Position einen Loop-In-Punkt zu erstellen, und dann drücken Sie erneut, um an einer anderen Stelle einen Loop-Out-Punkt zu erstellen. Sie können einem Pad auch einen Auto-Loop zuweisen, indem Sie ein schwach beleuchtetes Pad im Auto-Loop-Modus drücken. Der Loop wird sofort aktiviert, und das Pad leuchtet auf.

Um einen Loop zu aktivieren, drücken Sie das entsprechende Pad. Sobald ein Loop erstellt wurde, können Sie ihn erneut triggern, indem Sie das entsprechende Pad erneut drücken, abhängig von der Einstellung unter **Saved Loop Behavior**.

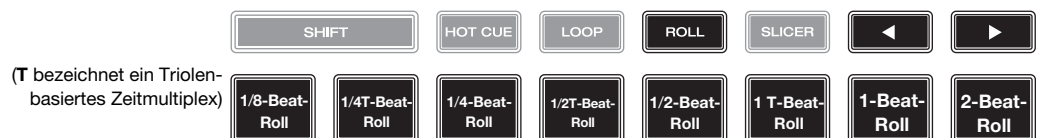
Um einen Loop zu löschen, drücken Sie **Shift** (Umschalten) und das gewünschte Pad.

Im Auto-Loop-Modus können Sie jedes Pad verwenden, um einen Auto-Loop zu erstellen und zu aktivieren. Das Drücken von Loop im manuellen Loop-Modus aktiviert den Auto-Loop-Modus.

Drücken Sie ein Pad, **um einen Auto-Loop zu aktivieren.** Das Display zeigt die Länge des Auto-Loops für jedes Pad an.

Drücken Sie das Pad erneut, **um einen Auto-Loop zu deaktivieren.**

Roll-Modus



Im Roll-Modus können Sie jedes Pad gedrückt halten, um einen „Loop-Roll“ mit einer bestimmten Länge zu aktivieren, während die Track-Timeline fortgesetzt wird (die untere Hälfte der Wellenform im Display bewegt sich weiterhin). Wenn Sie das Pad loslassen, nimmt der Track die normale Wiedergabe an jenem Punkt auf, an dem sich der Track befunden hätte, wenn Sie nichts getan hätten (d. h. als ob der Track einfach normal weitergespielt worden wäre).

Um eine Roll zu aktivieren, drücken Sie das entsprechende Pad. Pads mit triolen-basierten Loop-Rolls leuchten violett.

Slicer-Modus



Im Slicer-Modus (erstes Drücken) stehen die acht Pads für acht aufeinanderfolgende Beats - „Slices“ - im Beatgrid. Das aktuelle Slice wird durch das aktuell aufleuchtende Pad dargestellt. Das Licht „bewegt sich durch die Pads“, während es sich durch den 8-Slice-Satz bewegt. Sie können ein Pad drücken, um das Slice abzuspielen. Wenn Sie das Pad loslassen, nimmt der Track die normale Wiedergabe an jenem Punkt auf, an dem sich der Track befunden hätte, wenn Sie es nie gedrückt hätten (praktisch als ob der Track einfach normal weitergespielt worden wäre).

Um ein Slice abzuspielen, drücken Sie das entsprechende Pad.

Verwenden Sie die **Parametertasten**, um die Länge der Wiederholungen zu ändern.

Im Slicer-Loop-Modus (zweites Drücken) aktivieren Sie automatisch einen 8-Takt-Loop. Die aktuell wiedergegebene Slice wird durch das aktuell beleuchtete Pad dargestellt. Das Licht wandert „durch die Pads“, während es die 8-Slice-Phrase durchläuft, die sich im Loop wiederholt (dies ist der Unterschied zwischen diesem Modus und dem Slicer-Modus). Sie können ein Pad drücken, um diese Slice abzuspielen. Wenn Sie das Pad loslassen, wird der Track zur normalen Wiedergabe zu jenem Punkt zurückkehren, an dem sich der Track befinden würde, wenn Sie das Pad nie gedrückt hätten (so als ob der Track einfach normal weitergelaufen wäre).

Konfiguration

Wichtig: Alle Elemente auf dem Shortcuts-Bildschirm befinden sich auch in den Präferenzen. Wenn Sie eine Einstellung auf einem Bildschirm ändern, wird sie auch auf dem anderen geändert.

Shortcuts (Tastenkombinationen)

Zum Öffnen des Verknüpfungen-Bildschirms, drücken Sie **Shortcuts** (Verknüpfungen)

Um den Bildschirm **Shortcuts** zu schließen, tippen Sie auf das **X** in der oberen rechten Ecke oder drücken Sie erneut auf **Shortcuts**.

Tippen Sie im **Shortcuts**-Bildschirm auf eine Option, um diese auszuwählen:

- **Layer Color** (Plattenteller-Lichtringe): Diese Einstellung bestimmt die Farbe des Lichtringes um den Plattenteller für jede Layer. Tippen Sie in der Mitte auf **A** oder **B**, um die Layer auszuwählen, und tippen Sie dann auf eine Farbe, um sie auszuwählen. Der Lichtring ändert sofort seine Farbe. Tippen Sie auf das **X**, um zum vorherigen Bildschirm zurückzukehren.
- **Cue/Loop Quantization** (Quantisierung): Diese Einstellung bestimmt den Grad der Quantisierung für zeitabhängige Funktionen. Wählen Sie **1/8 Beat**, **1/4 Beat**, **1/2 Beat**, **1 Beat** oder **4 Beats**.
- **Sync-Modus:** Diese Einstellung bestimmt den Grad der Synchronisierung, wenn Sie auf SC6000 PRIME auf die Sync-Taste drücken:
 - **Bar** (Takt): Das Tempo wird synchronisiert, und der Track wird automatisch dem Takt des Tracks der Master Unit angepasst (die Downbeats jedes Taktes werden angepasst).
 - **Beat:** Das Tempo wird synchronisiert, und der Track wird automatisch dem Beat des Tracks der Mastereinheit angepasst.
 - **Tempo:** Es wird nur das Tempo synchronisiert (BPM wird dem Masterdeck angepasst).
- **Screen Brightness** (Helligkeit des Bildschirms): Diese Einstellung bestimmt die Helligkeit der **Touchscreen: Low** (Niedrig), **Mid** (Mittel), **High** (Hoch) oder **Max**.
- **Player #: (Player Nr.):** Diese Einstellung legt die Nummer des Players fest. Wenn Sie ein Gerät zum Durchsuchen auswählen, wird diese Nummer in der Anzeige neben dem Gerät eingeblendet.

Präferenzen

Drücken Sie zum Öffnen des Bildschirms „Präferenzen“ die Taste **View/Preferences/Utility** (Ansicht/Präferenzen/Utility) und halten sie gedrückt, und tippen Sie dann auf die Registerkarte **Preferences** (Präferenzen).

Tippen Sie zum Schließen des Bildschirms **Einstellungen** auf das **X** in der oberen rechten Ecke oder drücken Sie erneut auf **View/Preferences/Utility**.

Streichen Sie auf dem Präferenzen-Bildschirm durch die Optionen nach oben oder nach unten, und tippen Sie auf eine Option, um diese auszuwählen:

Playback

- **Track Start Position** (Anfangsposition des Tracks): Mit dieser Einstellung legen Sie fest, wo der Anfang eines Tracks nach dem Laden ist. Wählen Sie den eigentlichen Start der Datei (**Track Start**) oder den automatisch erkannten Anfang eines Audiosignals (Cue-Position).
- **Default Speed Range** (Standardmäßiger Geschwindigkeitsbereich): Diese Einstellung bestimmt den Bereich des **Pitch Faders**. Wählen Sie **±4 %**, **8 %**, **10 %**, **20 %** oder **50 %**.
- **Sync-Modus:** Diese Einstellung bestimmt den Grad der Synchronisierung, wenn Sie auf SC6000 PRIME auf die Sync-Taste drücken:
 - **Bar** (Takt): Das Tempo wird synchronisiert, und der Track wird automatisch mit dem Takt des Tracks der Mastereinheit angepasst (die Downbeats jedes Taktes werden angepasst).
 - **Beat:** Das Tempo wird synchronisiert, und der Track wird automatisch mit dem Beat des Tracks der Mastereinheit angepasst.
 - **Tempo:** Es wird nur das Tempo synchronisiert (BPM wird dem Masterdeck angepasst).
- **Sync Button Action:** Diese Einstellung legt fest, wie die Taste **Sync** beim Drücken ausgeführt wird.
 - **Toggle:** In diesem Modus können Sie die Synchronisierung ein- und ausschalten, ohne **Shift** gedrückt halten zu müssen.
 - **Shift Disable:** In diesem Modus muss **Shift** gedrückt werden, um die Synchronisierung zu deaktivieren.
- **Pitch Control Type:** Diese Einstellung bestimmt die primäre Funktion der Pitch Bend-Tasten. Wählen Sie **Pitch Bend**, um die Primärfunktion so zu belassen, dass die Tonhöhe vorübergehend verringert oder erhöht wird, oder **Range**, um die Primärfunktion so einzustellen, dass der Bereich des Pitch-Faders angepasst wird. Die Funktion, die nicht als primäre Funktion verwendet wird, ist weiterhin verfügbar, wenn Sie **Shift** gedrückt halten und die **Pitch Bend**-Tasten verwenden.

Cues/Loops

- **Cue/Loop Quantization (Quantisierung):** Diese Einstellung bestimmt den Grad der Quantisierung für zeitabhängige Funktionen: Hot-Cue-Punkte, Loops und Loop-Rolls. Wählen Sie **1/8 Beat**, **1/4 Beat**, **1/2 Beat**, **1 Beat** oder **4 Beats**.
- **Paused Hot Cue Behavior:** Diese Einstellung entscheidet darüber, wie Pads ihre Hot Cue-Punkte spielen. Wenn **Momentary** ausgewählt wurde, beginnt die Wiedergabe an einem Hot Cue-Punkt, wenn Sie das jeweilige Pad gedrückt halten — wenn Sie das Pad loslassen kehrt sie zum Hot Cue-Punkt zurück. Wenn **Trigger** ausgewählt wurde, beginnt die Wiedergabe an einem Hot Cue-Punkt (und wird fortgesetzt), wenn Sie das jeweilige Pad drücken und loslassen.
- **Default Loop Size:** Diese Einstellung bestimmt die Standardgröße eines Auto-Loops, wenn Sie einen neuen Track in das Deck laden: **1**, **2**, **4**, **8** oder **16 Beats**.
- **Smart Loops:** Diese Einstellung bestimmt, ob ein manueller Loop automatisch erweitert oder auf eine konventionelle Länge reduziert wird (z. B. 2 Beats, 4 Beats, 8 Beats usw.), wenn Sie ihn einstellen. Wählen Sie **On** (Ein) bzw. **Off** (Aus). Diese Einstellung ist unabhängig von der Einstellung der Quantisierung.
- **Move Cue To Loop In:** Diese Einstellung legt fest, ob der **Cue Point** des Songs automatisch an den Anfang eines Loops verschoben wird (**On**) oder an seinem aktuellen Punkt verbleibt (**Off**).
- **Saved Loop Behavior:** Diese Einstellung bestimmt die Aktion von Loops, nachdem sie gespeichert wurden. Wenn **Reloop** eingestellt ist und ein Pad mit einem gespeicherten Loop gedrückt wird, wird der Loop erneut abgespielt. Bei der Einstellung **Disable** kann durch Drücken eines Pads mit einem gespeicherten Loop der betreffende Loop ausgeschaltet werden.

Display

- **Track Title:** Mit dieser Einstellung wird festgelegt, ob die Tracktitel als **Filename** oder als eingebettete **Metadata** (Tags) des Tracks angezeigt werden.
- **Time Format (Zeitformat):** Diese Einstellung legt fest, ob Pitch-Anpassungen die Anzeige der angezeigten Trackdauer beeinflussen oder nicht. Wenn Sie **Static** (Statisch) wählen, entspricht die Trackdauer wie üblich Positionen im Track. Einstellungen der Tonhöhe haben keinen Einfluss darauf. Wenn Sie **Dynamic** (Dynamisch) wählen, passt sich die Trackdauer automatisch an, um Änderungen in der Tonhöhe auszugleichen. Wenn Sie zum Beispiel den Pitch Fader auf **-8 %** einstellen, wird die Trackdauer verlängert und geht **8 %** länger.
- **Track End Warning (Trackende-Warnung):** Mit dieser Einstellung legen Sie fest, wie lange vor dem Ende eines Tracks SC6000 Sie warnen wird, dass er sich dem Ende nähert. Wenn sich der Track auf der aktuell ausgewählten Layer befindet, blinken der Plattenteller-Ring und die Track-Übersicht auf. Wenn sich der Track auf der gegenüberliegenden Layer befindet, blinkt die Layer-Taste auf.
- **On Air Mode:** Diese Einstellung ändert die Ringbeleuchtung des Plattenspielers, wenn der Kanalfader des Mixers oben oder unten ist und so ein aktives oder "On-Air"-Deck anzeigt. Wenn diese Einstellung **On** ist, wird durch Hochziehen des Kanalfaders die Plattentellerfarbe von **Weiß** auf die ausgewählte Farbe geändert. Wenn diese Einstellung **Off** ist, wird die vom Benutzer ausgewählte Farbe immer angezeigt, unabhängig von der Position des Kanal-Faders.

Hinweis: Dies erfordert eine Verbindung zu einem kompatiblen Denon DJ-Mixer über Ethernet.

Safety

- **Lock Playing Deck (Wiedergabe-Deck sperren):** Diese Einstellung legt fest, ob Sie einen Track auf dem wiedergebenden Deck laden können oder nicht. Wählen Sie **On** (Ein) bzw. **Off** (Aus). Wenn diese Einstellung aktiviert ist, muss das Deck angehalten werden, um einen Track darauf zu laden.
- **Needle Lock:** Diese Einstellung legt fest, ob Sie die **Track-Übersicht** auf der Anzeige antippen können, um während der Wiedergabe zu dieser Position im Track zu springen. Wählen Sie **On** (Ein) bzw. **Off** (Aus). Unabhängig von dieser Einstellung können Sie die Track-Übersicht verwenden, während die Wiedergabe angehalten wird. Stellen Sie wahlweise sicher, dass sich der Plattenteller im Vinyl-Modus befindet (drücken Sie **Vinyl**, so dass es leuchtet), berühren Sie den oberen Teil des Plattentellers, und tippen Sie in der Track-Übersicht auf die gewünschte Stelle.
- **Pad Lock:** Diese Einstellung bestimmt, ob die Pads und die Pad-Modus-Tasten (**Hot Cue**, **Loop**, **Roll**, **Slicer**) aktiviert oder deaktiviert sind. Wählen Sie **On** (Ein) bzw. **Off** (Aus).

Library

- **Key Notation (Tonart-Notation):** Diese Einstellung bestimmt, wie die Tonart des Tracks auf der Anzeige notiert ist. Sie können die Tonart als **Sharps**, nur **Flats**, **Open Key** oder **Camelot** anzeigen lassen.
- **Key Filter (Tonart-Filter):** Mit dieser Einstellung wird festgelegt, ob der **Tonart-Filter** Tracks mit nur der gleichen Tonart anzeigt (**Match**) oder Tracks mit kompatiblen Tonarten (**Compatible**).
- **BPM Range (BPM-Bereich):** Diese Einstellung bestimmt die niedrigsten und höchstmöglichen BPM-Werte, die bei der Analyse der Tracks verwendet werden: **58–115**, **68–135**, **78–155** oder **88–175 BPM**.
- **BPM Filter Tolerance (BPM-Filtertoleranz):** Diese Einstellung bestimmt die „Toleranz“ der **BPM-Filter**, sodass Sie Tracks mit Tempos einbeziehen können, die sich innerhalb eines kleinen Bereichs des ausgewählten Tempos befinden. Wählen Sie **±0**, **1**, **2**, **3**, **5**, **10** oder **15**.
- **Collection Browse Behavior:** Diese Einstellung bestimmt das Suchverhalten bei Verwendung der Bibliothek. Wenn diese Option auf **Select** eingestellt ist, wird sie durch Tippen auf eine Wiedergabeliste, eine Kiste oder einen Ordner ausgewählt. Zum Öffnen ist ein zweimaliges Tippen erforderlich. Bei der Einstellung **Open** wird sie durch Tippen auf eine Wiedergabeliste, eine Kiste oder einen Ordner geöffnet.

Deck Colors

- **Deck Colors** (Plattenteller-Lichtringe): Diese Einstellungen bestimmen die Farben des Lichtringes um den Plattenteller für jede Layer, auf jedem Player. Tippen Sie auf den Pfeil neben **A** oder **B**, um die Layer auszuwählen und tippen Sie dann auf eine Farbe, um diese auszuwählen. Der Lichtring ändert sofort seine Farbe. Tippen Sie auf das **X**, um zum vorherigen Bildschirm zurückzukehren.

Utility

Zum Öffnen des Bildschirms „Utility“ drücken und halten Sie die Taste **View/Preferences/Utility** (Ansicht/Präferenzen/Utility) gedrückt, und tippen Sie dann auf die Registerkarte **Utility**.

Um den **Utility-Bildschirm zu schließen**, tippen Sie in der oberen rechten Ecke auf **X** oder drücken Sie erneut auf **View/Preferences/Utility**.

Streichen Sie auf dem Utility-Bildschirm durch die Optionen nach oben oder nach unten, und tippen Sie auf eine Option, um diese auszuwählen:

Device Settings

- **Player #:** (**Player Nr.:**) Diese Einstellung legt die Nummer des Players fest. Wenn Sie ein Gerät zum Durchsuchen auswählen, wird diese Nummer in der Anzeige neben dem Gerät eingeblendet.
- **Layer B:** Diese Einstellung legt fest, ob diese SC6000 PRIME-Einheit beide Deck-Layers (**Ein**) oder nur eine (**Aus**) verwendet.
- **Wi-Fi:** Diese Einstellung legt fest, ob Wi-Fi aktiviert (**On**) oder deaktiviert (**Off**) ist.
- **Wi-Fi Settings:** Verwenden Sie diese Option, um das Wi-Fi-Verbindungs Menü zu öffnen und eine Verbindung zu einem drahtlosen Netzwerk herzustellen.
- **Nudge Sensitivity:** Bestimmt die Empfindlichkeit beim Bewegen der Platten: **Low** (Niedrig), **Mid** (Mittel), **High** (Hoch) oder **Max**.
- **Track Preview:** Wenn diese Option aktiviert ist, **Track Preview** zeigt eine Wiedergabetaste für jeden Track in der Bibliothek an, sodass die Track vorgesprochen werden im Cue können, ohne einen Track in das Deck zu laden. Wählen Sie **On** (aktiviert) oder **Off** (deaktiviert).
- **Screen Brightness** (Helligkeit des Bildschirms): Diese Einstellung bestimmt die Helligkeit der Hauptanzeige: **Low** (Niedrig), **Mid** (Mittel), **High** (Hoch) oder **Max**.

Streaming-Services

Verwenden Sie diese Optionen, um Verbindungen zu Streaming-Diensten zu aktivieren oder zu deaktivieren. Bei Einstellung auf **Ein** ist der ausgewählte Dienst unter **Quelle** verfügbar.

Cloud-Services

Verwenden Sie diese Option, um Ihre Engine-Bibliotheksdatenbank von einem Cloud-Speicherdienst abzurufen. Sie müssen zuerst die Engine PRIME-Software verwenden, um Ihre Datenbank zu synchronisieren. Wenn diese Option auf **Ein** gesetzt ist, ist der ausgewählte Dienst unter **Quelle** verfügbar. Sie können über eine hergestellte Internetverbindung auf diese Dateien zugreifen.

Hinweis: Wir empfehlen, nur hochwertige USB 3.0- oder Class U1- oder U3-SD-Karten von Markenherstellern als Quelllaufwerke zu verwenden, insbesondere wenn Cloud-Dienste aktiviert sind.

Device Info

- **Model** (Modell): Dies ist der Produktname.
- **Firmware Version:** Dies ist die aktuelle Version des Betriebssystems von Engine. Tippen Sie auf **Check For Updates**, um festzustellen, ob für Ihren SC6000 PRIME ein Firmware-Update verfügbar ist (Internetverbindung erforderlich).
- **SC6000-Controller:** Dies ist die aktuelle Version der Controller-Firmware.
- **SC6000-Anzeige:** Dies ist die aktuelle Version der Anzeige-Firmware.
- **Reset all settings to default:** Drücken Sie auf **Reset**, um die werkseitigen Standardeinstellungen für Ihr Gerät wiederherzustellen.

Update

- **Update Firmware** (Firmware aktualisieren): Verwenden Sie diese Option zum Neustarten von SC6000 PRIME im Update-Modus, der es Ihnen ermöglicht, die Firmware zu aktualisieren. Folgen Sie den Anweisungen für das Firmware-Update, die im heruntergeladenen Firmware-Update-Paket enthalten sind.

Legal Info

- **Rechtliche Hinweise:** Verwenden Sie diese Option, um die Denon DJ EULA und die Patentliste anzuzeigen.

Appendix (English)

Technical Specifications

Analog Output	2.0 Vrms (0 dBFS, 1 kHz)	
Signal-to-Noise Ratio	116 dB	
Distortion (THD+N)	< 0.0015%	
Frequency Range	22–22,000 Hz	
Digital Output	Sampling Rate	96 kHz
	Bit Depth	24-bit
Playable Media	Type	SD/SDHC card USB mass-storage devices (flash memory, external HDD enclosures)
	File Systems	exFAT FAT32 (recommended)
	File Formats	AAC/M4A AIF/AIFF (44.1–192 kHz, 16–32-bit) ALAC FLAC MP3 (32–320 kbps) MP4 Ogg Vorbis WAV (44.1–192 kHz, 16–32-bit)
Platters	8.5" / 216 mm (diameter) Metal construction with display & capacitive touch	
Displays	Main	10.1" / 256 mm (diagonal) Full-color LED-backlit display with touch interface
	Platter	3.5" / 89 mm (diameter) Full-color LED-backlit display

Connections	<ul style="list-style-type: none"> (2) RCA output pairs (2) coaxial digital outputs (1) 1/8" (3.5 mm) mini TS input (remote start) (3) USB Type-A ports (for USB drives) (Rear-panel ports supply 900 mA for USB 3.0 devices, 500 mA for USB 2.0 devices. Front-panel port supplies 500 mA for USB 2.0 devices only.) (1) USB Type-B port (for computer connection) (1) SD card slot (1) Ethernet link port (1) IEC power inlet with locking connector
Power	<p>Connection: IEC</p> <p>Input Voltage: 110–240 VAC, 50/60 Hz</p> <p>Consumption: 75 W</p>
Dimensions (width x depth x height)	<p>12.6" x 18.2" x 6.0"</p> <p>32.0 x 46.2 x 15.2 cm</p>
Weight	<p>12.67 lb.</p> <p>5.75 kg</p>

Specifications are subject to change without notice.

Trademarks & Licenses

Denon is a trademark of D&M Holdings Inc., registered in the U.S. and other countries. Denon DJ products are produced by inMusic Brands, Inc., Cumberland, RI 02864, USA.

Engine PRIME incorporates élastique Pro V3 and [tONaRT] V2 by zplane.development.

Kensington and the K & Lock logo are registered trademarks of ACCO Brands.

macOS, iTunes, and QuickTime are trademarks of Apple Inc., registered in the U.S. and other countries.

SD and SDHC are registered trademarks of SD-3C, LLC.

Serato, Serato DJ, and the Serato logo are registered trademarks of Serato Audio Research.

Windows is a registered trademark of Microsoft Corporation in the United States and other countries.

All other product names, company names, trademarks, or trade names are those of their respective owners.

This product uses software and technology under license. Please visit denondj.com/product-legal for a complete list.

DENONDJ.COM